



The Best For Over 75 Years!

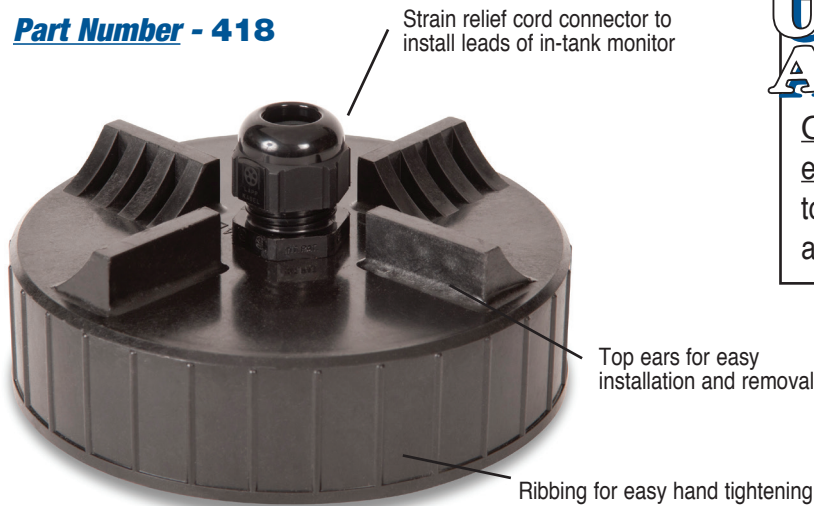
CAPS

DUST CAP FOR 4" PIPE

Application -

Capping pipes in extractor valve assemblies, storage tanks, and monitoring wells.

Part Number - 418



UNIVERSAL Advantage

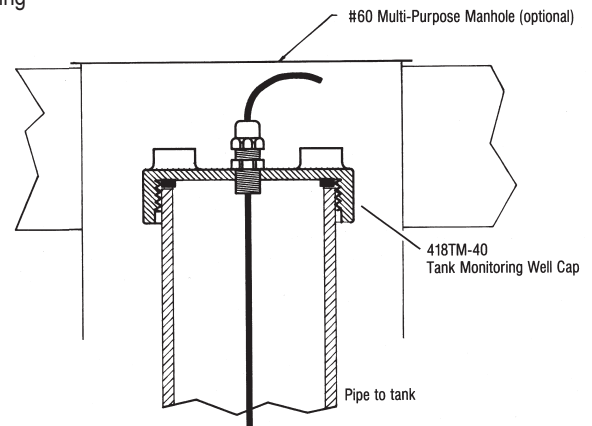
Only from Universal! – The 418TM-40 is easy to install and remove, because of the top ears configuration. Ribbing on the side allows easy hand tightening.

Features -

- ✓ Top mounted ears allow easy removal and installation
- ✓ Rugged construction for long life
- ✓ Durable and non-corrosive
- ✓ Liquid tight seal
- ✓ UL#E79903
- ✓ CSA#LR50370-10 approved

Construction -

- Reinforced composite plastic construction
- Buna-N seal



Model	Thread Size	Weight (lbs.)	Cable Gripping Range
418-40	4"	0.5	–
418TM-40	4"	0.5	3/8"
418TM-40-125	4"	0.5	1/4"
418TM-40-15	4"	0.5	1/2"

Replacement Parts

Part Numbers	Description
418-4-B	Gasket
418TM-4-A	3/8" Cord Connector
418TM-4-B	1/2" Cord Connector
418TM-4-C	1/8" Cord Connector

Notice: Universal Valve Co., products must be used in compliance with applicable federal, state, and local laws and regulations. Product selection should be based on physical specifications and limitations and compatibility with the environment and material to be handled. Universal Valve Co., makes no warranty of fitness for a particular use. All illustrations and specifications in this literature are based on the latest production information available at the time of publication. Prices, materials, and specification are subject to change at any time, and models may be discontinued at any time, in either case, without notice or obligation.

UNIVERSAL VALVE COMPANY

478 Schiller Street, Elizabeth, NJ 07206 • (800) 223-0741 • (908) 351-0606 • Fax: (908) 351-0369 • universalvalve.com

© 2017 Universal Valve Company, Inc.