



# Basic Pedestal Standard Centrifugal Pump

## Models 63E31-B and 63E32-B

### Size 4" x 3"

#### PUMP SPECIFICATIONS

**Size:** 4" x 3" (102 mm x 76 mm) Flanged.

**Casing:** (63E31-B) Ductile Iron 65-45-12.

(63E32-B) Cast Steel 70-36.

Maximum Operating Pressure 179 psi (1234 kPa).\*

**Enclosed Type, Five Vane Impeller:** Alum Alloy SG70A-T6.

Handles 3/8" (9,5 mm) Diameter Spherical Solids.

**Impeller Shaft:** Carbon Steel 1045.

**Bearing Housing:** Ductile Iron 65-45-12.

**Bearing Housing Lubrication:** Grease.

**Body Cover:** (63E31-B) Ductile Iron 65-45-12.

(63E32-B) Cast Steel 70-36.

**Radial and Thrust Bearings:** Sealed Single Row Ball.

**Gaskets:** Vegetable Fiber and Cork.

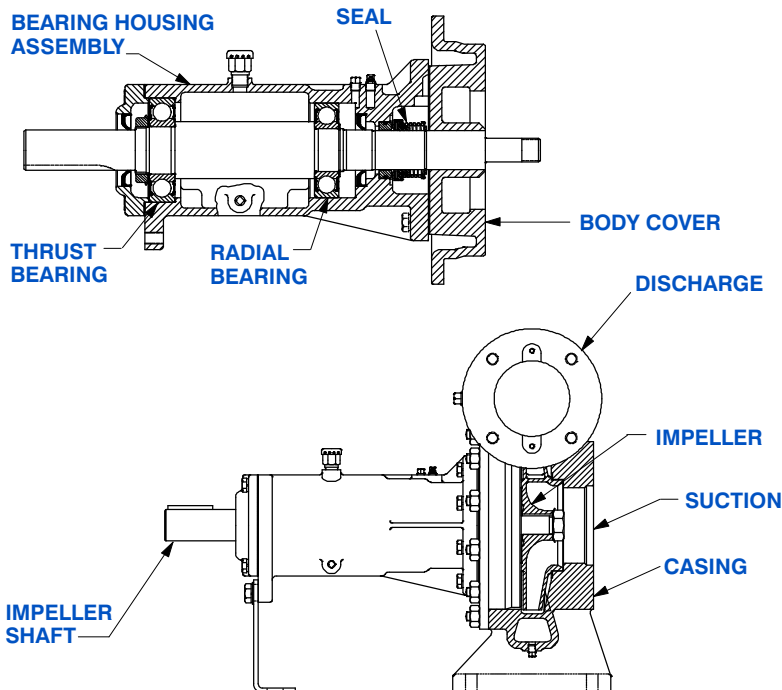
**Hardware:** Standard Plated Steel.

**Optional Equipment:** 150# Steel 4" NPT Suction and 3" NPT Discharge Flange Kit. Copper Alloy C93400 Impeller. Stainless Steel 416 Impeller Shaft. PTFE Seal.

*\*Consult Factory for Applications Exceeding Maximum Pressure and/or Temperature Indicated.*



MODEL 63E31-B SHOWN



#### SEAL DETAIL

Type 21, Mechanical Self-Lubricated. Carbon Rotating Face. Ni-Resist Stationary Face. Fluorocarbon Elastomers (DuPont Viton® or Equivalent). Stainless Steel 18-8 Cage and Spring. Maximum Temperature of Liquid Pumped, 160°F [71°C].\*



GORMAN-RUPP PUMPS

www.grpumps.com

Specifications Subject to Change Without Notice

Printed in U.S.A.

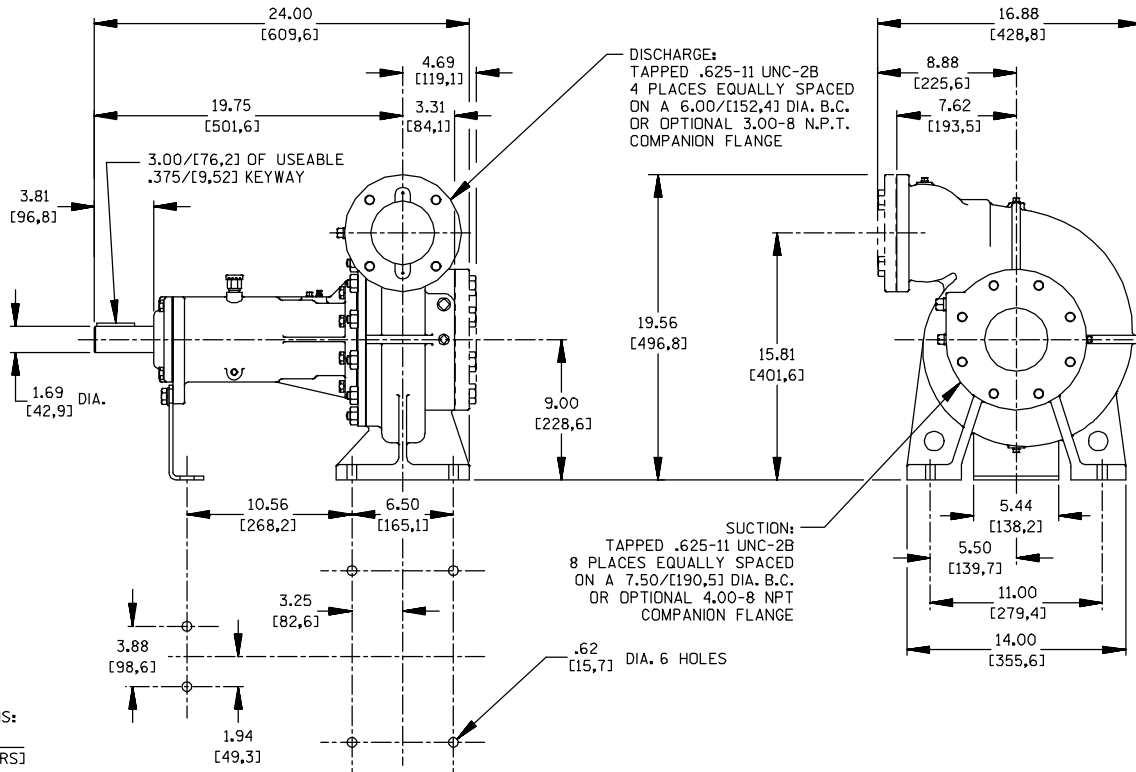
**Specification Data**

SECTION 70, PAGE 475

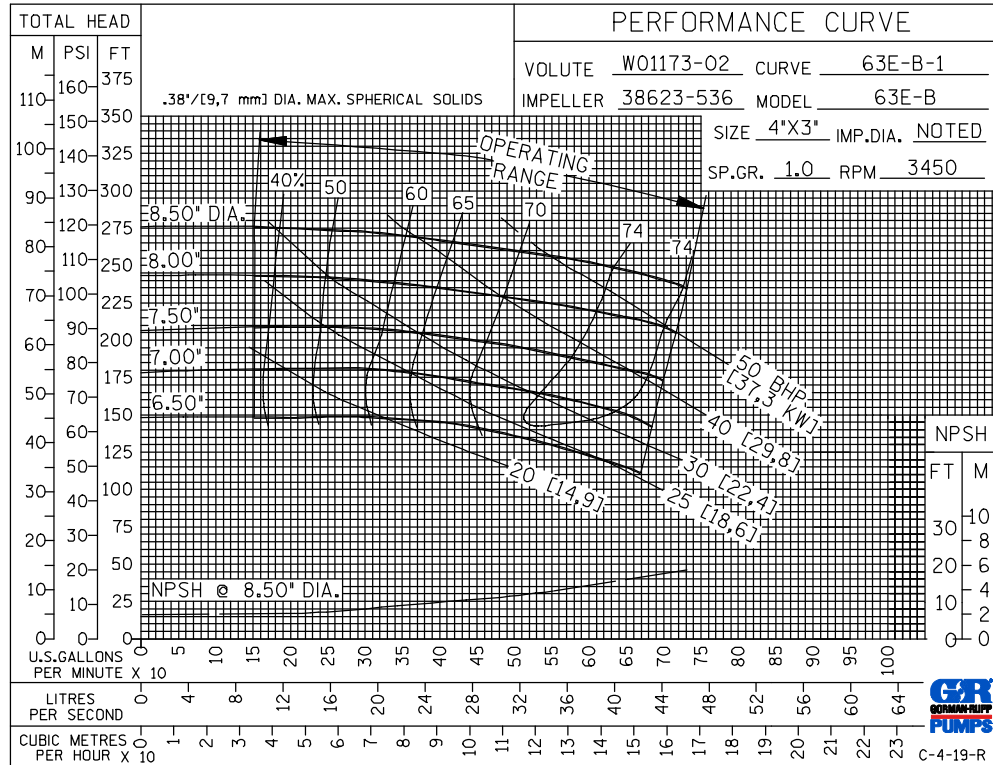
APPROXIMATE DIMENSIONS and WEIGHTS

NET WEIGHT:  
SHIPPING WEIGHT:  
EXPORT CRATE:

<b>63E31-B</b>	<b>63E32-B</b>
213 LBS. (96,6 KG.)	255 LBS. (115,7 KG.)
236 LBS. (107 KG.)	270 LBS. (122,5 KG.)
12.8 CU. FT. (0,36 CU. M.)	



**60 HERTZ  
PERFORMANCE  
BASED ON  
WATER  
TRIMMED  
IMPELLER**



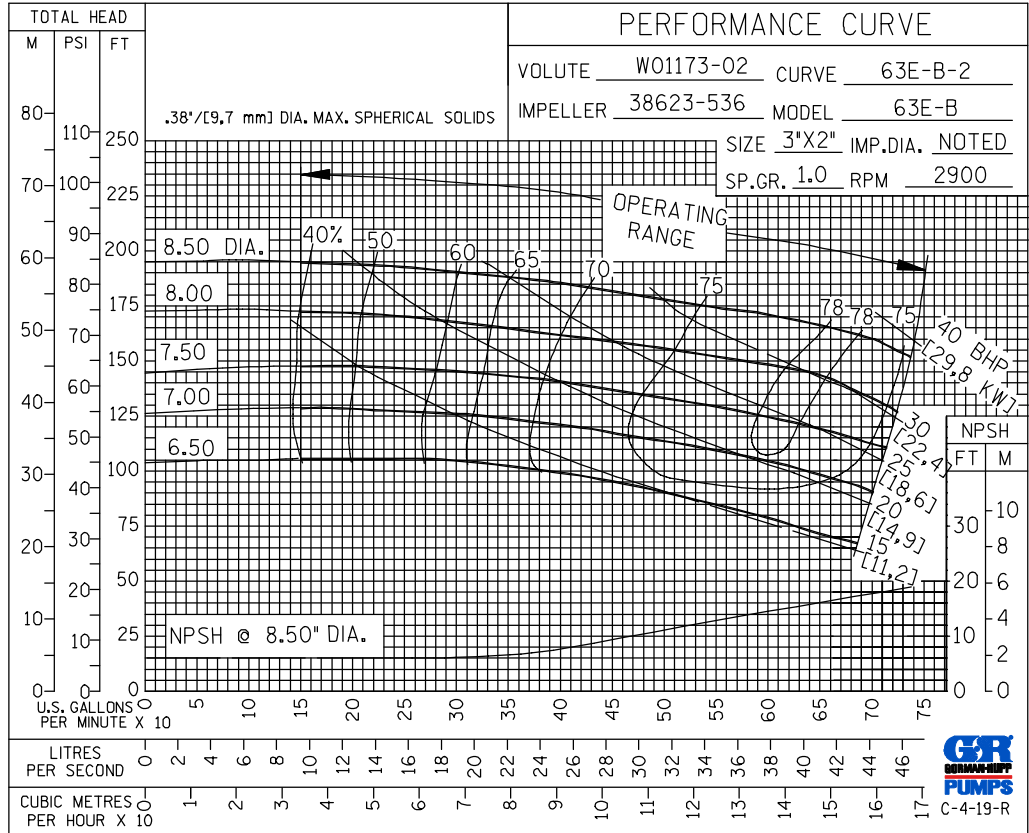
**GORMAN-RUPP PUMPS**

www.grpumps.com

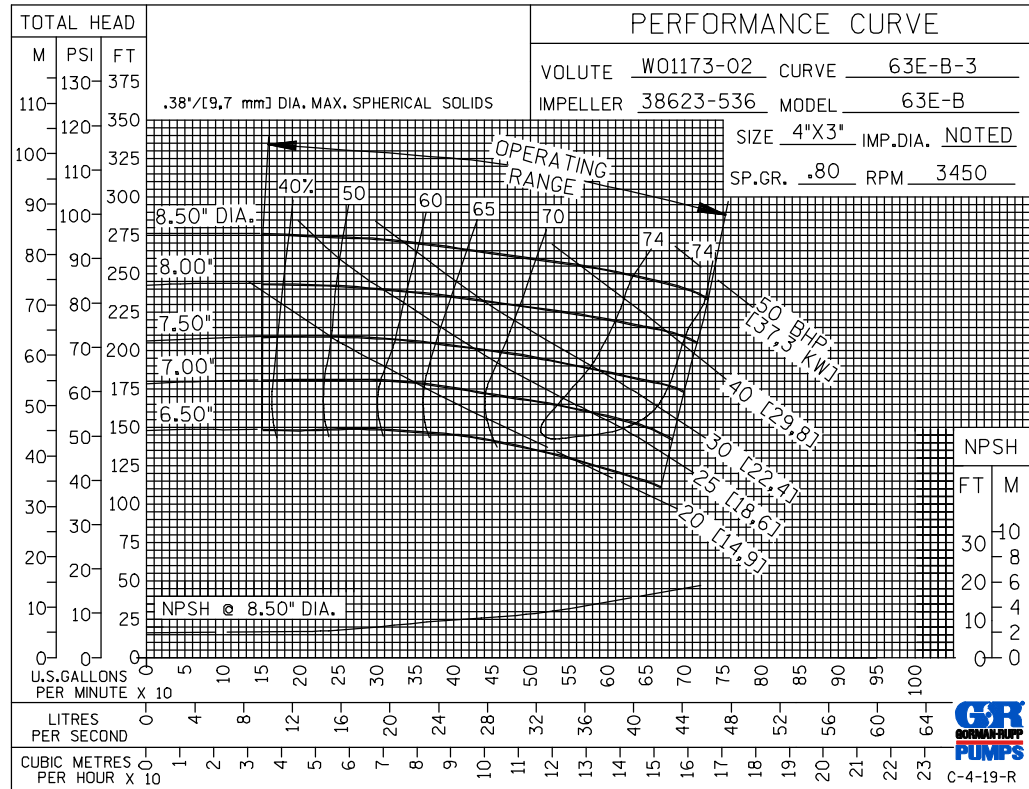
Specifications Subject to Change Without Notice

Printed in U.S.A.

**50 HERTZ  
PERFORMANCE  
BASED ON  
WATER  
TRIMMED  
IMPELLER**



**60 HERTZ  
PERFORMANCE  
BASED ON  
PETROLEUM  
TRIMMED  
IMPELLER**



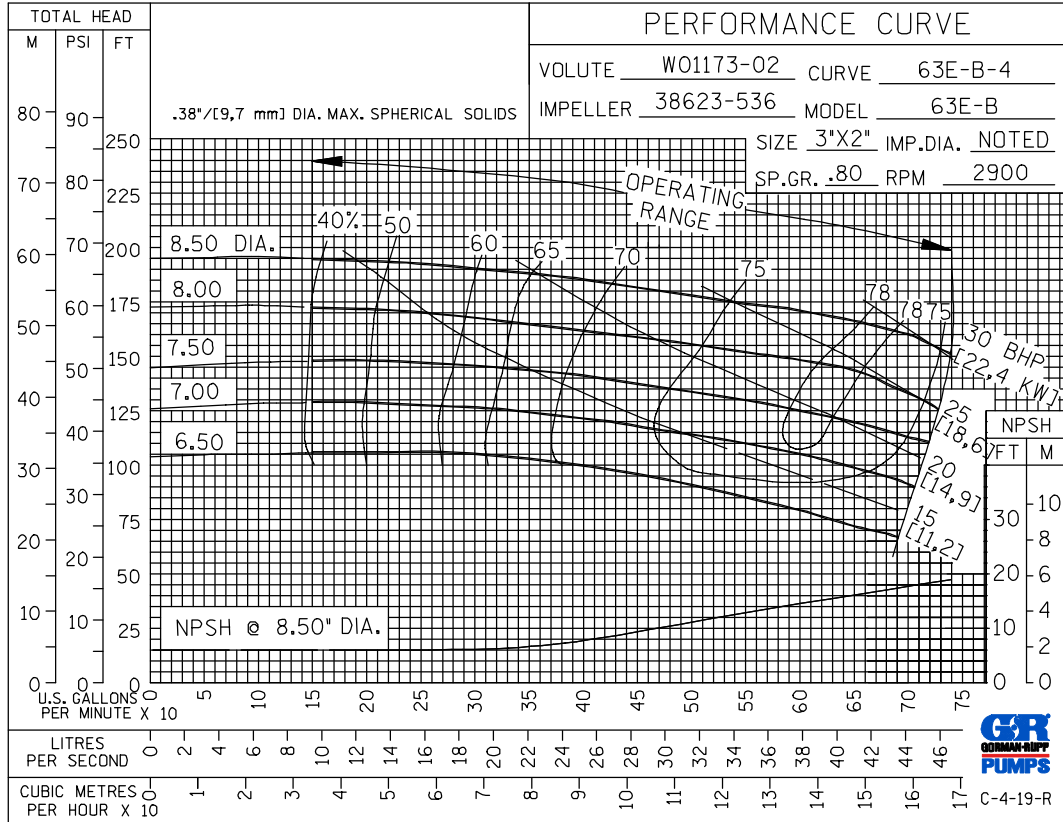
**GORMAN-RUPP PUMPS**

www.grpumps.com

Specifications Subject to Change Without Notice

Printed in U.S.A.

**50 HERTZ  
PERFORMANCE  
BASED ON  
PETROLEUM  
TRIMMED  
IMPELLER**



**GORMAN-RUPP PUMPS**

www.grpumps.com

Specifications Subject to Change Without Notice

Printed in U.S.A.