



DISPENSERS



PUMPS



METERS



METERED NOZZLES



NOZZLES

# PISTON HAND PUMP

## FEATURES

- **READY / EASY TO USE**
- **SUITABLE FOR ANY OPERATING CONDITION**

The PIUSI PISTON HAND PUMP is the basic version of hand pump offered by Piusi. They are manufactured in plastic according to the ISO 22241.

## PERFORMANCE

up to  
**10 FT**

HOSE LENGTH



## SUZZARABLU HAND PUMP

### PACKAGING

PART #	WEIGHT		PACKAGING		N. BOXES/EUROPALLET	
	KG	LBS	MM	PCS/BOX		
FOO33213A	1.5	3.3	160X340X140	1	72	102



FILTRATION



FLUID MONITORING



HOSE REELS



ACCESSORIES



AIR



ANTIFREEZE



DEF



BIODIESEL



DIESEL



FOOD



GASOLINE



GREASE



KEROSENE



OIL

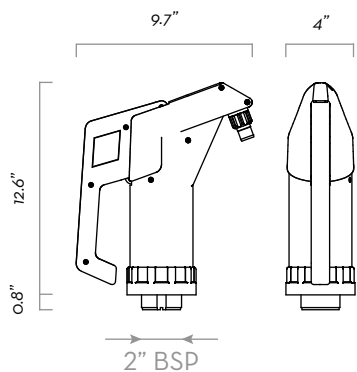


WATER



WINDSCREEN

## DIMENSIONS



Dimensions expressed in inches

## IN THE BOX

- SUZZARABLUÉ HAND PUMP
- DELIVERY HOSE (ON REQUEST)
- SUCTION PIPE
- INSTRUCTION MANUAL

## DETAILS



SPOUT

## MATERIALS

- BODY: PLASTIC
- ROTOR: PLASTIC
- VANES: PLASTIC

## TECHNICAL DATA

PART #	DESCRIPTION	FLUIDS TYPE	SPOUT	HOSE		DIP PIPE	COMPLETE KIT	MAUSER AND GREIF ADAPTER FOR DRUM
			BSP	LENGTH	Ø			
FO033213A	PISTON HAND PUMP (WITH DIP PIPE)		3/4"	-	-	YES	-	-

# SUZZARABLUÉ HAND PUMP

HAND PUMPS