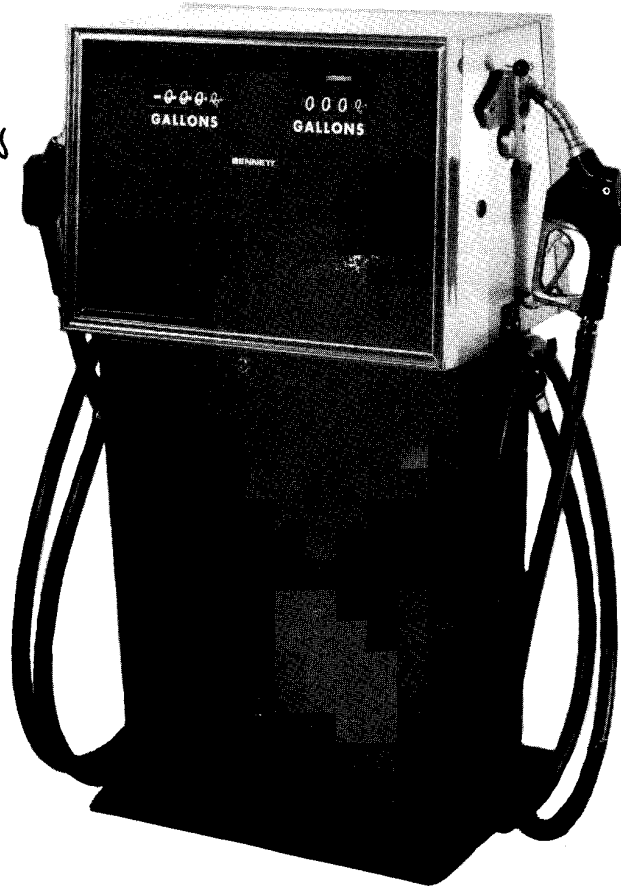


**TWIN AND SINGLE DISPENSERS
REMOTE AND SELF-CONTAINED**

BENNETT®

= 0
Ticket Printer
E590201
Accum
Ticket Printer
E590202



Wide doors
191 = Later

J497401
Pulser Kit
10:1
N785301
100:1 (Electronic)

Read the instructions before ordering replacement parts. For parts prices, order New Parts Price List (SPL-1162.1).

For new books, write to: Bennett Pump Company, Technical Services Department, 2740 Wood Street, P.O. Box 597, Muskegon, MI 49443.

PARTS LIST for **3700 SERIES FLEETMASTER DISPENSERS**



CONTENTS OF THIS BOOK

Introduction & Instructions	1
Specifications Change Listing	2

Drawing & Parts List No.

Description

1	Cam-Ac & Handle Assembly	3
2	Frame & Panels (New Style) Self-Contained	5
3	Frame & Panels (New Style) - Remote	7
4	Frame & Panels (1 Piece) Self-Contained	9
5	Frame & Panels (1 Piece) Remote	11
6	Frame & Panels (Old Corner Post Style)	13
7	Upper Door Assembly	15
8	Upper Housing & Frame	17
9	Hose Assembly	19
10	Switch Box & Conduit	21
11	Electric Reset (Veeder-Root)	22
12	Non-Computer with Cam-Ac Reset & Gear Box Assembly	25
13	Non-Computer, Electric Reset, & Pulser	27
14	Gear Plate Assembly	28
15	Gear Box Assembly	29
16	Meter Assembly (Type 40)	31
17	Pumping Unit - Type 75	33
18	Pumping Unit - Type 70	35
19	Valve Assembly for 3727	37
20	Pumping Unit - Type 40	39
21	Motor Assemblies	41
22	Control Valve Assembly	43
23	Junction Box Assembly - Large	45
23a	Conduit Connections	47
24	Junction Box Assembly - Small	48
25	Tubing Schematic - 3782, 3792	49
26	Tubing Schematic - 3722, 3724	50
27	Tubing Schematic - 3727 (Hard)	51
28	Tubing Schematic - 3727 (Soft)	52
29	Keytrol Assembly (National)	53
30	Keytrol Assembly (Wilson)	55
31	Handcrank Option - Export	57
	Installation Information	58
	Typical Station Wiring Layout	59
	Wiring Diagrams	60-63

INTRODUCTION AND INSTRUCTIONS

This book covers the following models in the Fleetmaster 3700 Series:

Self-Contained Dispensers

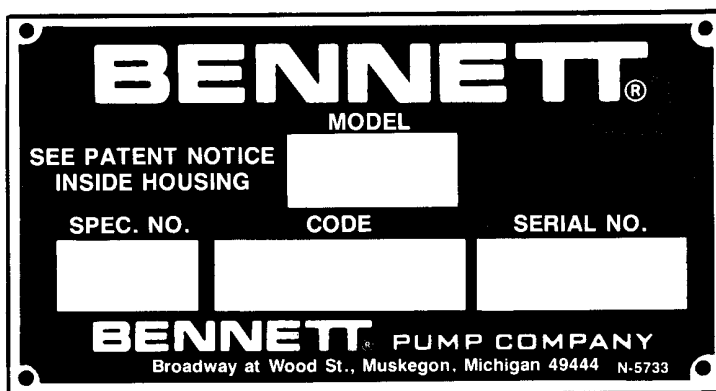
Model 3788	Single product w/register and totalizer
Model 3788D	High capacity single product w/register and totalizer
Model 3789	Single product w/register, totalizer and accumulative ticket printer
Model 3789D	High capacity single product w/register, totalizer and accumulative ticket printer
Model 3725	Twin two product w/register and totalizer
Model 3725D	High capacity twin two product with register and totalizer
Model 3727	Single product twin with register and totalizer

Remote Dispensers

Model 3782	Single product w/register and totalizer
Model 3792	Single product w/register, totalizer and accumulative ticket printer
Model 3722	Twin two product w/register and totalizer
Model 3724	Twin single product w/register and totalizer

TO PLACE AN ORDER FOR PARTS, FOLLOW THIS PROCEDURE:

1. Type or print the order on your purchase order or a plain piece of paper.
2. State the part number, description and quantity required.
3. State the complete "Ship to:" address.
4. State your company's name and address (if different from the shipping destination) for billing purposes.
5. Furnish the model, serial number, specification number and code numbers on each parts order. This information is shown on the Bennett Serial No. Plate (see illustration below).

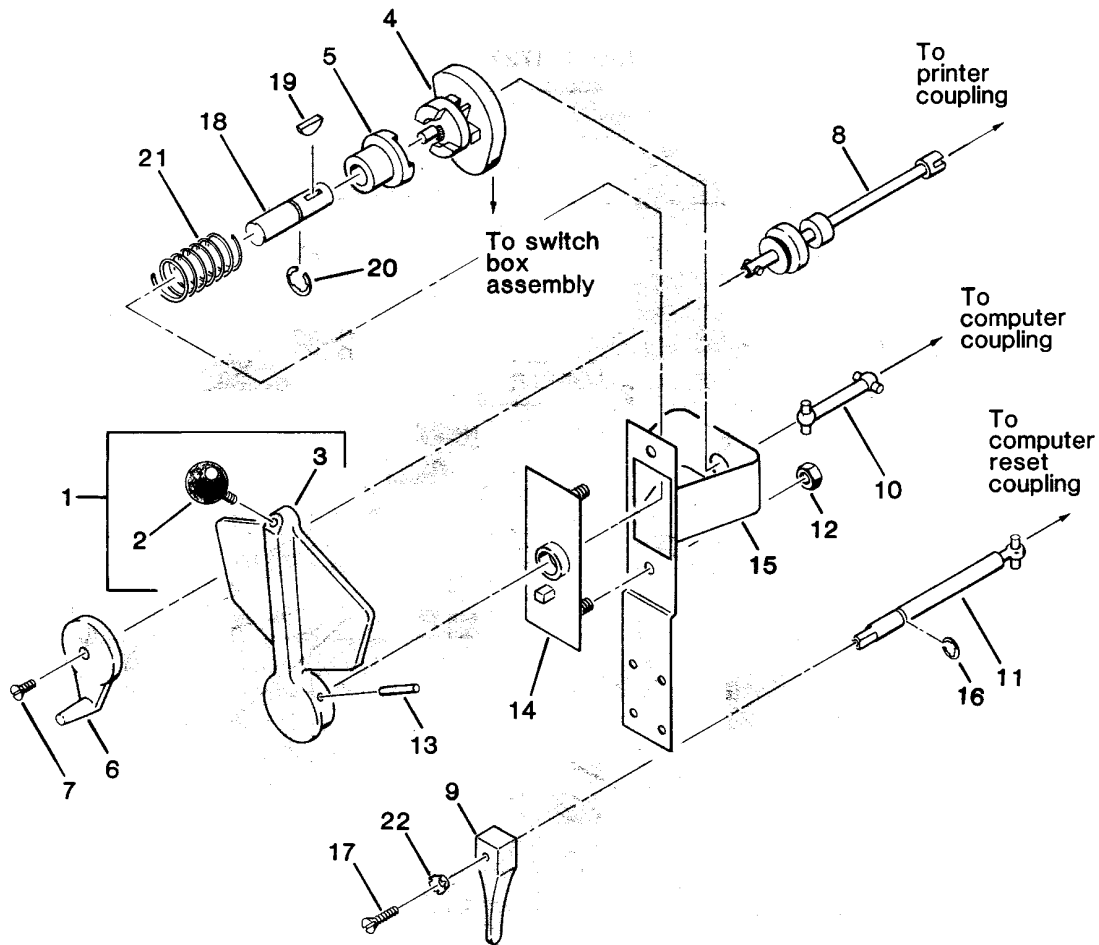


SPECIFICATION CHANGE LISTING

The following engineering revisions to the 3700 Series Dispensers are listed by model. Refer to the Serial No. plate on the dispenser for model and specification revision number.

<u>Model</u>	<u>Specification</u>	<u>Revision</u>
3722	1000	Original production design
	1001	Inadvertently unused
	1002	New corner post construction
3724	1000	Original production design
	1001	Inadvertently unused
	1002	New corner post construction
3725	1000	Original production design
	1001	Type 75 Pumping Unit
	1002	New corner post construction
3727	1000	Original production design
	1001	Type 75 Pumping Unit
	1002	New corner post construction
3782	1000	Original production design
	1001	Nozzle boot panel revision, check valve change, valve and filter assembly
	1002	New junction box, conduit assembly and new tube assembly
	1003	New junction box
	1004	One piece side frame
	1005	Inadvertently unused
1006	New corner post construction	
3792	1000	Original production design
	1001	Nozzle boot panel revision, check valve change, valve and filter assembly
	1002	New junction box, conduit assembly and new tube assembly
	1003	New junction box
	1004	One piece side frame
1005	New corner post construction	
3788	1000	Original production design
	1001	Nozzle boot panel revision
	1002	New junction box and Type 70 pumping unit
	1003	One piece side frame
	1004	Type 75 pumping unit
1005	New corner post construction	
3789	1000	Original production design
	1001	Nozzle boot panel revision
	1002	New junction box and Type 70 pumping unit
	1003	One piece side frame
	1004	Type 75 pumping unit
1005	New corner post construction	

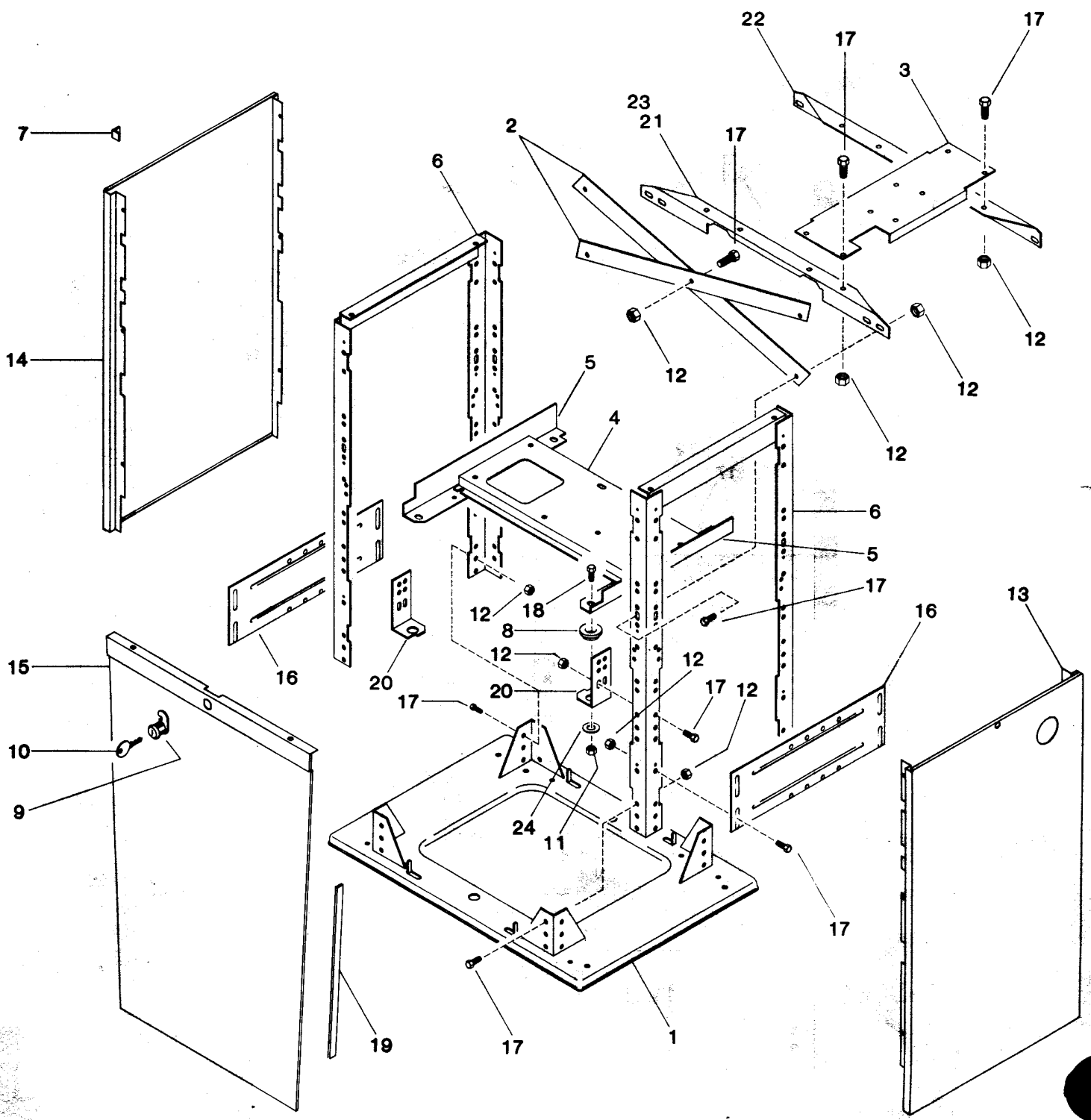
BENNETT® 3700 Series
Parts List #1 Cam-Ac & Handle Assembly 9/91



Ref. No.	Part No.	Description	Qty.
1	H-6385-01	Handle Assembly	1
2	A-3107-01	Ball & Stud	1
3	H-5512-01	Handle, Operating	1
4	H-6739-02	Clutch & Cam Assembly	1
5	H-6589-01	Clutch, Half	1
*6	H-2156-01	Handle, Printer	1
*7	A-2461-01	Screw, 8-32x1	1
*8	E-6007-02	Shaft Assy, Ext.	1
9	E-0802-01	Handle, Reset	1
10	E-9919-14	Link, Universal	1
11	E-9993-16	Link & Pin, Universal	1
12	A-2190-10	Nut/Lockwasher, 1/4-20	2
13	A-2796-01	Pin, Spiral 5/32x1-1/2	1
14	E-9819-02	Plate & Bearing Assy	1
15	H-5501-01	Plate & Bracket Assy	1
16	A-2013-01	Ring, Retaining	1
17	A-1406-01	Screw, 8-32x5/8	1
18	H-3213-04	Shaft & Key Assembly	1
19	A-2781-01	Key	2
20	A-2135-01	Ring, Retaining	1
21	H-6069-01	Spring	1
22	A-2817-01	Washer, 8-32 Lock	1

*These parts are only required for dispensers with a ticket printer.

BENNETT® 3700 Series
Drawing #2 Main Frame & Panels - (New Style) Self-Contained 9/91
Models 3788 & 3789 - Spec. 1005
Models 3725 & 3727 - Spec. 1002

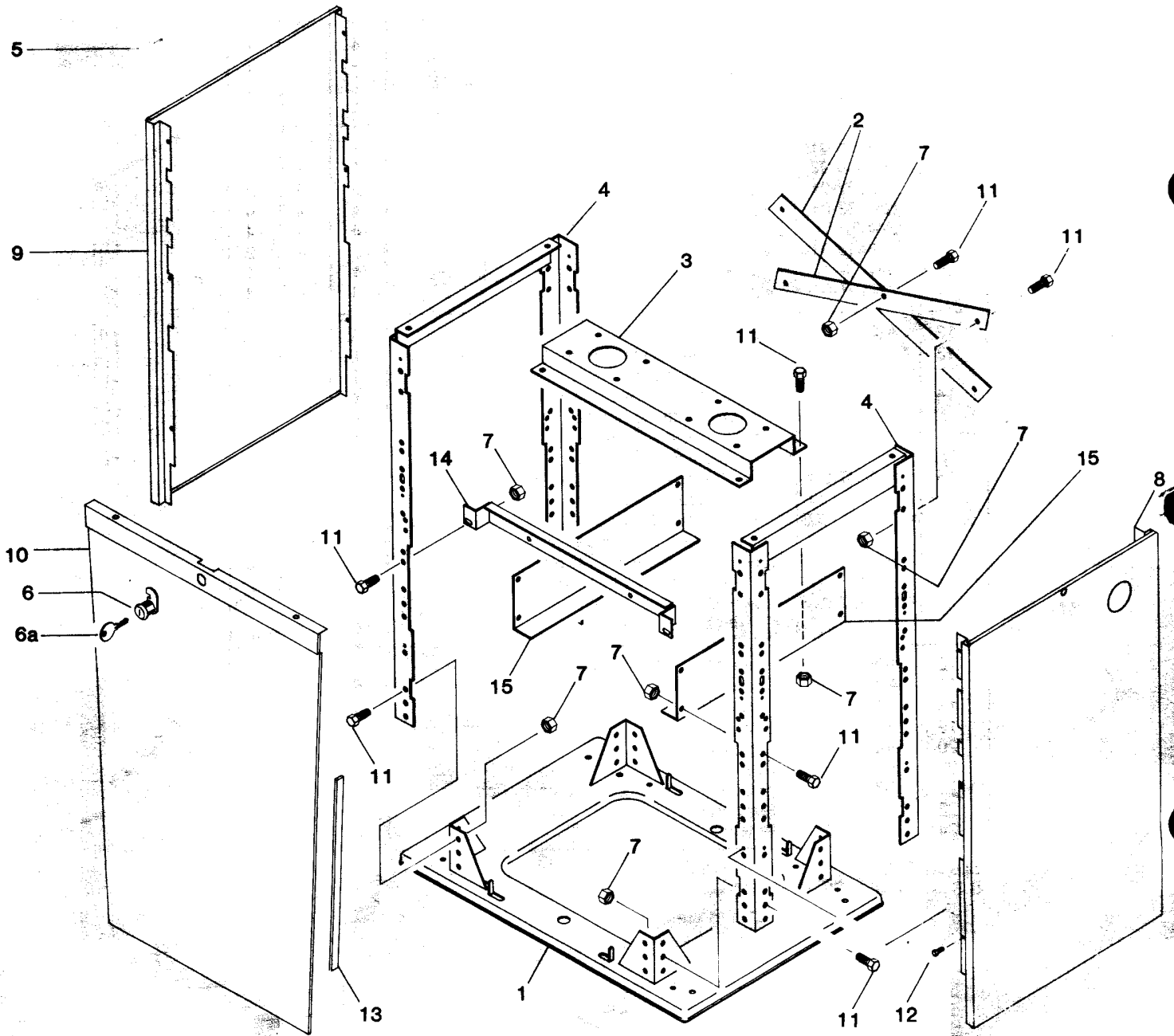


BENNETT® 3700 Series
Parts List #2 Main Frame & Panels - (New Style)
Self-Contained 9/91

Ref. No.	Part No.	Description	33 77 88 89	3 7 2 5	3 7 2 7
1	H-3987-01	Base Assembly-Narrow	1	-	-
	H-3988-01	Base Assembly-Wide	-	1	1
2	N-2011-01	Brace	-	4	4
	N-1766-01	Brace	4	-	-
3	N-3091-01	Deck, Valve	-	-	1
4	N-5311-01	Deck Assembly, P.U.	-	1	1
	N-5307-01	Deck Assembly, P.U. <i>old style</i>	1	-	-
5	N-5308-01	Deck Support	1	-	-
	N-5308-02	Deck Support	1	-	-
6	H-3992-04	Frame Assembly	2	2	2
7	H-6283-01	Guard, Cable	4	4	4
8	J-9832-01	Isolator, Rubber	4	4	4
9	H-8440-01	Lock Assembly	2	2	2
10	001	BPC 001 Key	1	1	1
11	A-2191-06	Nut/Lockwasher	4	4	4
12	A-2191-04	Nut	42	42	42
13	*N-1203-04	Panel, Lower Side Painted (Hose Side)	1	1	1
	N-0922-12	Panel, Lower Side S.S. (Hose side)	1	1	1
14	*N-1203-02	Panel, Lower Side Painted (Opposite Hose side)	1	1	-
	N-0922-02	Panel, Lower Side S.S. (Opposite Hose Side)	1	1	1
15	*H-5837-03S	Lower Door Assy, Front/Rear Painted (includes lock)-Narrow <i>old</i>	2	-	-
	*H-5837-05S	Lower Door Assy, Front/Rear Painted (includes lock)-Wide <i>New</i>	-	2	2
	H-5837-01S	Lower Door Assy, Front/Rear S.S. (includes lock)-Narrow	-	2	2
	H-5837-02S	Lower Door Assy, Front/Rear S.S. (includes lock)-Wide	2	-	-
16	J-9904-01	Plate, Motor Mounting	-	2	-
17	A-1617-01	Screw	42	42	42
18	A-0448-01	Screw	4	4	4
19	H-7932-01	Strip, Door	4	4	4
20	N-5306-01	Support, Deck	4	4	4
21	J-7558-01	Support Junction Box	1	-	-
22	J-7561-01	Support, Valve Deck & Junction Box	-	1	1
23	H-5757-01	Support, Valve Deck	-	-	1
24	A-0044-01	Washer	4	4	4

*Specify Color
S.S. = Stainless Steel

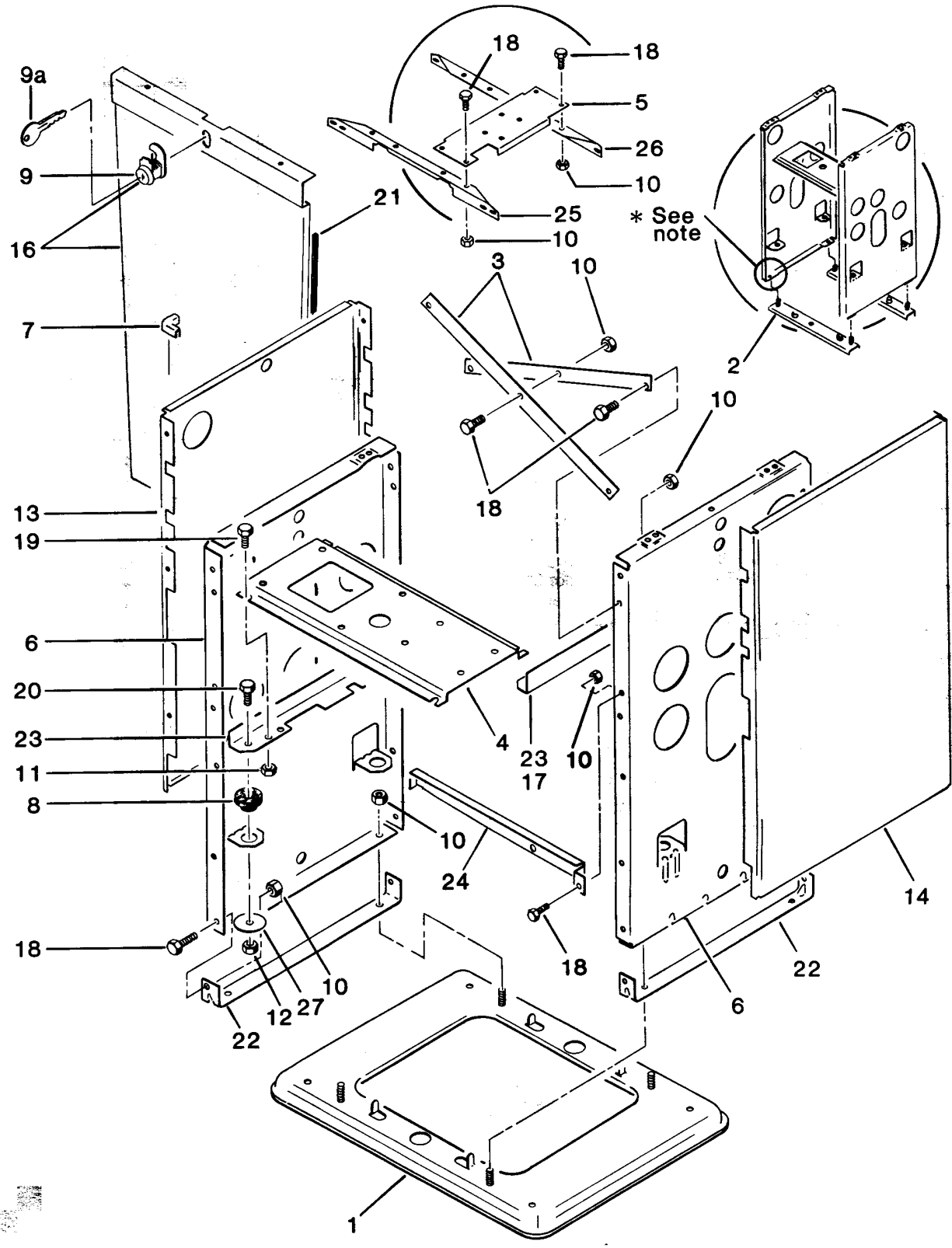
BENNETT® 3700 Series
Drawing #3 Main Frame & Panels - (New Style) Remote 9/91
Model 3782 - Spec. 1006
Model 3792 - Spec. 1005
Models 3722 & 3724 - Spec. 1002



BENNETT® 3700 Series
Parts List #3 Main Frame & Panels - (New Style)
Remote 9/91

Ref. No.	Part No.	Description	33 77 89 22	3 7 2 2	3 7 2 4
1	H-3987-01	Base Assembly	1	-	-
	H-3988-01	Base Assembly	-	1	1
2	N-1766-01	Brace	4	4	4
3	N-5310-01	Deck, Valve	1	1	1
4	H-3992-04	Frame Assembly	2	2	2
5	H-6283-01	Guard, Cable	4	4	4
6	H-8440-01	Lock Assembly	2	2	2
6a	001	BPC 001 Key	1	1	1
7	A-2191-04	Nut	38	38	38
8	N-1203-04	Panel, Lower Side Painted (Hose side) specify color	1	2	2
9	N-0922-12	Panel, Lower Side S.S. (Hose side)	1	2	2
	N-1203-02	Panel, Lower Side Painted (Opposite Hose side) specify color	1	-	-
	N-0922-02	Panel, Lower Side S.S. (Opposite Hose side)	1	-	-
10	H-5837-03S	Lower Door Assembly, Front/Rear Painted (w/lock assembly) specify color	1	1	1
	H-5837-01S	Lower Door Assembly, Front/Rear S.S. (w/lock assembly)	1	1	1
11	A-1617-01	Screw	38	38	38
12	A-2837-02	Screw	12	12	12
13	H-7932-01	Strip, Door 8"	4	4	4
14	J-7376-01	Support, Junction Box	1	1	1
15	N-5309-01	Support, Valve & Meter	2	2	2

BENNETT® 3700 Series
Drawing #4 Main Frame & Panels (One Piece) - Self-Contained 11/88
Models 3788 & 3789 - Spec. 1003
Models 3725 & 3727 - Spec. 1000-1001

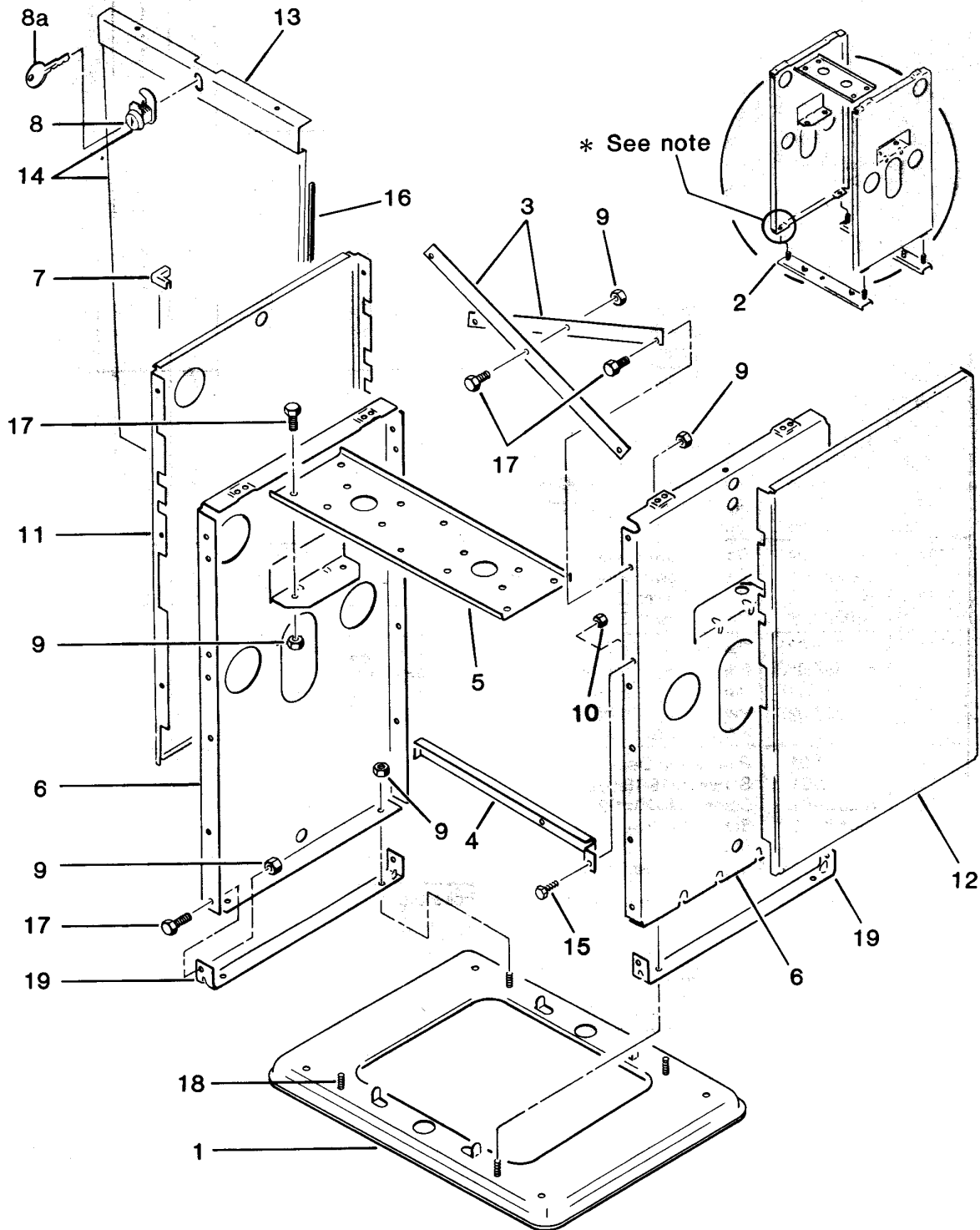


Ref. No.	Part No.	Description	3 7 8 8	3 7 8 9	3 7 2 5	3 7 2 7
* 1	N-0921-01	Base Assembly	1	1	-	-
	N-0921-02	Base Assembly	-	-	1	-
* 2	N-0699-01	Base, Cross Rail	2	2	-	-
	N-0699-02	Base, Cross Rail	-	-	2	2
3	N-1766-01	Brace, Cross	4	4	-	-
	N-2011-01	Brace, Cross	-	-	4	4
4	N-1061-01	Bracket, Pumping Unit	1	1	-	-
	N-2155-01	Bracket, Pumping Unit (not shown)	-	-	1	-
	N-2156-01	Bracket, Pumping Unit (not shown)	-	-	-	1
5	H-3091-01	Deck, Valve	-	-	-	1
6	N-0698-02	Frame Assembly, Lower Side: Standard	2	2	-	2
	N-1203-03	w/Leak Detector	2	2	-	2
	N-1866-01	w/Vapor Recovery	2	2	-	2
	N-0698-04	Standard	-	-	2	-
	N-1866-04	w/Leak Detector	-	-	2	-
	N-1866-02	w/Vapor Recovery	-	-	2	-
7	H-6283-01	Guard, Cable	4	4	4	4
8	J-9832-01	Isolator, Rubber	4	4	4	-
	H-3993-01	Isolator, Rubber	-	-	-	4
9	H-8440-01	Lock Assembly	1	1	1	1
9a	001	BPC 001 Key	1	1	1	1
10	A-2191-04	Nut/Lockwasher, 5/16-18	20	20	20	26
11	A-2190-10	Nut/Lockwasher, 1/4-20	11	11	16	12
12	A-2191-06	Nut/Lockwasher	4	4	4	4
**13	N-1203-04	Panel, Lower Side-Painted (Hose Side) Specify Color	1	1	2	2
	N-0922-12	Panel, Lower Side-Stainless Steel (Hose Side)	1	1	2	2
**14	N-1203-02	Panel, Lower Side-Painted (Opposite Hose Side)	1	1	-	-
	N-0922-02	Panel, Lower Side-S.S. (Opposite Hose Side)	1	1	-	-
**16	H-5837-03S	Panel Assy, Front/Rear-Painted (includes lock) Specify Color	2	2	-	-
	H-5837-05S	Panel Assy, Front/Rear-Painted (includes lock) Specify Color	-	-	2	2
	H-5837-01S	Panel Assy, Front/Rear-Stainless Steel	2	2	-	-
	H-5837-02S	Panel Assy, Front/Rear-Stainless Steel	-	-	2	2
		Note: See page 57 for panels used with export hand crank option.				
17	H-5757-01	Rail, Valve Deck (not shown)	-	-	-	1
18	A-1617-01	Screw, 5/16-18x1/2	16	16	16	18
19	A-2091-01	Screw, 1/4-20x1/2	4	4	-	-
20	A-0448-01	Screw, 3/8-16x1-1/4	4	4	4	4
21	H-7932-01	Strip	4	4	4	4
* 22	N-2102-01	Support, Side Frame	2	2	2	2
23	N-1058-01	Support, Angle Deck (Opposite Hose Side)	1	1	-	-
	N-1058-02	Support, Angle Deck (Hose Side)	1	1	-	-
24	J-7558-01	Support, Valve Deck & Junction Box	1	1	-	-
25	J-7561-01	Support, Valve Deck	-	-	1	1
26	H-5757-01	Support, Valve Deck	-	-	-	1
27	A-0044-01	Washer	4	4	4	4

*Lower side frame assemblies without the embossed bottom edge can use either a Cross Rail Base (Item 2) or a Base Assembly (Item 1). The lower side frame assemblies with the embossed bottom edge flange can be used on Base Assemblies (Item 1) or without Side Frame Supports (Item 21).

**Specify color and/or graphics.

BENNETT® 3700 Series
Drawing #5 Main Frame & Panels (One Piece) - Remote 11/88
Models 3782 & 3792 - Spec. 1004
Models - 3722 & 3724 - Spec. 1000-1001



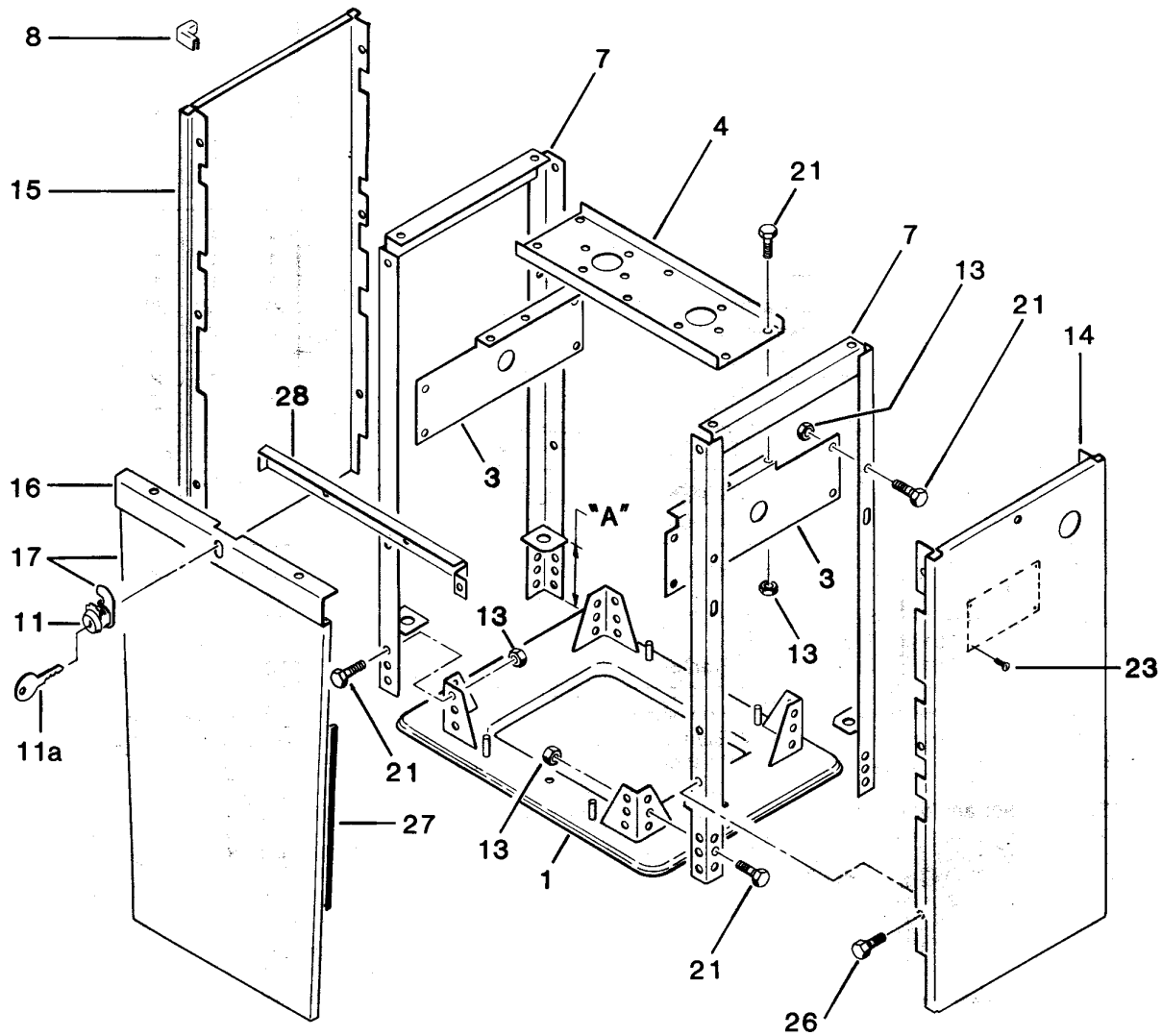
BENNETT® 3700 Series
Parts List #5 Main Frame & Panels - (One Piece) - Remote 9/91

Ref. No.	Part No.	Description	3 7 8 2	3 7 9 2	3 7 2 2	3 7 2 4
* 1	N-0921-01	Base Assembly	1	1	1	1
* 2	N-0699-01	Base, Cross Rail	2	2	2	2
3	N-1766-01	Brace, Cross	4	4	4	4
4	J-7376-01	Bracket, Junction Box	1	1	1	1
5	H-4030-01	Deck, Valve	1	1	1	1
6	N-0698-01	Frame Assembly, Lower Side	2	2	2	2
	N-1866-01	w/Leak Detector or Vapor Recovery	1	1	-	-
	N-1866-02	w/Leak Detector or Vapor Recovery	-	-	1	1
7	H-6283-01	Guard, Cable	4	4	4	4
8	H-8440-01	Lock Assembly	1	1	1	1
8a	001	BPC 001 Key	1	1	1	1
9	A-2191-04	Nut/Lockwasher, 5/16-18	22	22	22	22
10	A-2190-10	Nut/Lockwasher, 1/4-20	2	2	2	2
**11	N-1203-04	Panel, Lower Side-Painted (Hose Side) Specify Color	1	1	2	2
	N-0922-12	Panel, Lower Side-S.S. (Hose Side)	1	1	2	2
**12	N-1203-02	Panel, Lower Side-Painted (Opposite Hose Side) Specify	1	1	-	-
	N-0922-02	Panel, Lower Side-S.S. (Opposite Hose Side) Color	1	1	-	-
**14	H-5837-03S	Door Assy, Front/Rear-Painted w/lock Specify Color	2	2	2	2
	H-5837-01S	Door Assy, Front/Rear-Stainless Steel	2	2	2	2
15	A-0075-01	Screw, 5/16-18x1/2	2	2	2	2
16	H-7932-01	Strip, Door	4	4	4	4
17	A-1617-01	Screw, 5/16-18x1/2	18	18	18	18
18	A-4367-01	Stud, 5/16-18	4	4	4	4
*19	N-2102-01	Support, Side Frame	2	2	2	2

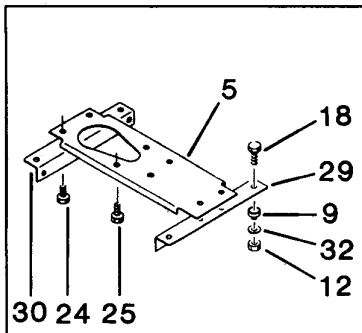
*Lower side from assemblies without the embossed bottom edge can use either a Cross Rail Base (Item 2) or a Base Assembly (Item1). The lower side frame assemblies with the embossed bottom edge flange can be used on Base Assembly (Item 1) or without Side Frame Supports (Item 19).

**Specify color and/or graphics.

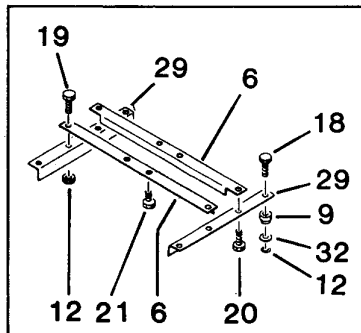
BENNETT® 3700 Series
Drawing #6 Main Frame & Panels - (Old Corner Post Style) 11/88
Models 3782 & 3792 - Spec. 1000-1003
Models 3788 & 3789 - Spec. 1000-1002



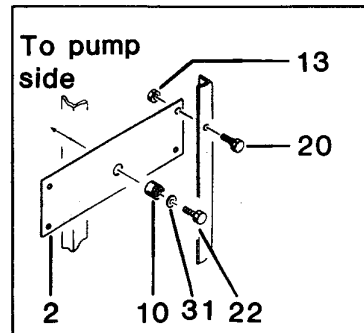
Type 70 pumping unit
Spec 1002



Type 40 pumping unit
Spec 1000-1001



Type 40 pumping unit
Spec 1000-1001



BENNETT® 3700 Series
Parts List #6 Main Frame & Panels - (Old Corner Post Style) 9/91

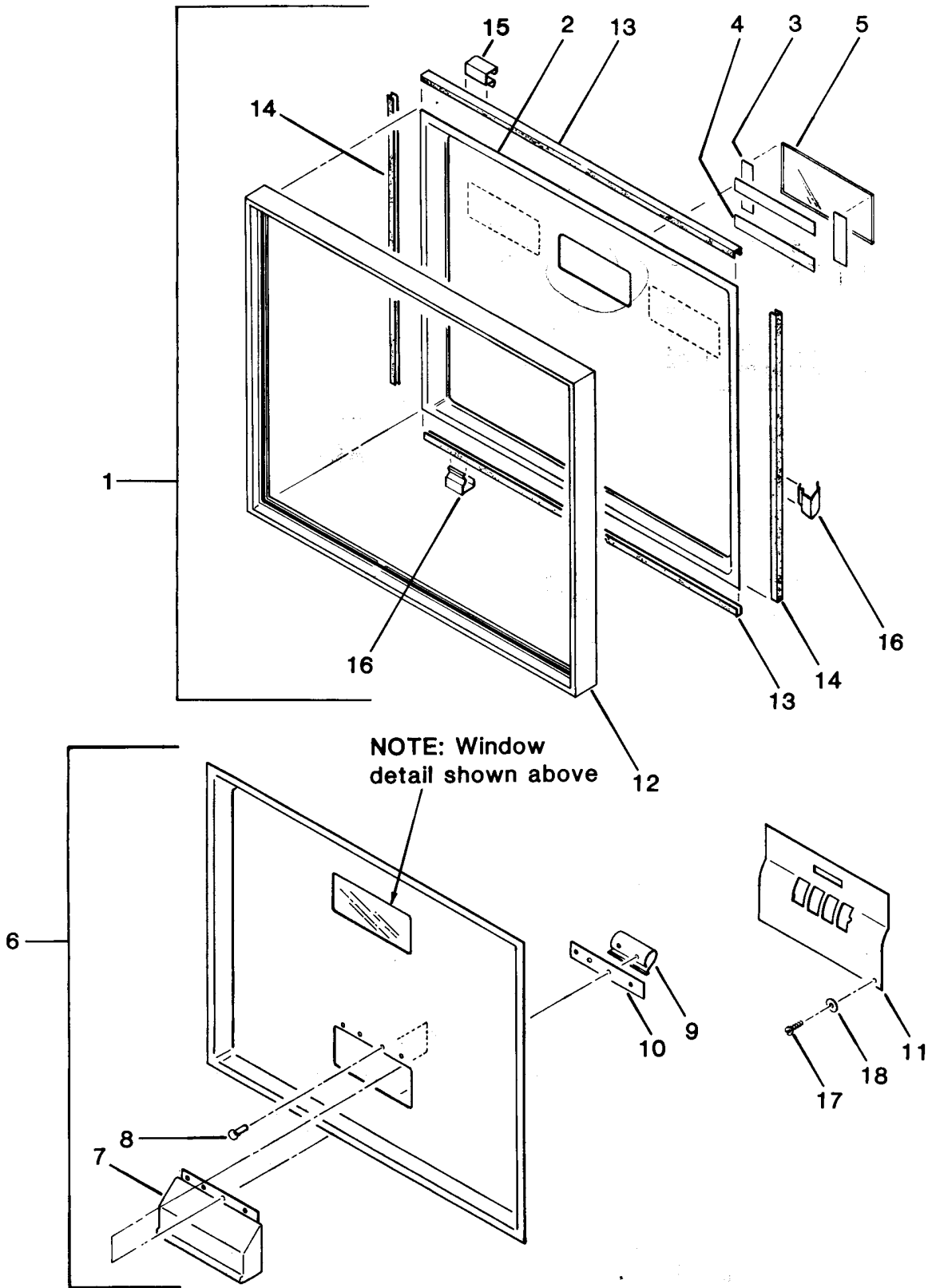
Ref. No.	Part No.	Description	Remote	Self-Contained
1	H-3987-01	Base Assembly	1	1
* 2	H-6270-01	Bracket	-	1
3	H-5509-02	Bracket	2	-
4	H-4030-01	Deck, Valve	1	-
5	J-6233-01	Deck, Pumping Unit T-70	-	1
* 6	H-6339-01	Deck, Pumping Unit T-40	-	2
* 7	H-3992-02	Frame Assembly (See Note below)	-	2
	H-3992-08	Frame Assembly-Spec. 1002 (See Note below)	-	2
	H-3992-04	Frame Assembly (See Note below)	2	-
8	H-6283-01	Guard, Cable	4	4
* 9	H-0193-01	Isolator, Rubber	-	4
10	H-5756-01	Isolator, Rubber	-	1
11	H-8440-01	Lock Assembly	2	2
11a	001	BPC 001 Key	1	1
*12	A-2191-06	Nut/Lockwasher, 3/8-16	-	4
13	A-2191-03	Nut/Lockwasher, 5/16-18	20	20
**14	N-1203-04	Panel, Lower Side (Hose Side) Painted-Specify Color	1	1
	N-0922-12	Panel, Lower Side S.S. (Hose Side)	1	1
15	N-1203-02	Panel, Lower Side (Opposite Hose Side) Painted-Specify Color	1	1
16	N-0922-02	Panel, Lower Side (Opposite Housing) Stainless Steel	1	1
17	J-3892-01	Panel, Front or Rear	1	1
	H-5837-03S	Door Assy, Front/Rear (includes Lock) Painted-Specify Color	2	2
	H-5837-01S	Door Assy, Front/Rear (includes Lock) Stainless Steel	2	2
*18	A-1152-01	Screw, 3/8-16x3/4	-	4
19	A-0423-01	Screw, 3/8-16x7/8	-	2
*20	A-0526-01	Screw, 3/8-16x3/4	-	4
	A-3293-01	Screw, Whizlock, 5/16-18x3/4 (Spec. 1002)	-	4
*21	A-1618-01	Screw, 5/16-18x5/8	20	20
*22	A-0192-01	Screw, 1/2-13x1/4	-	1
23	A-2025-01	Screw, Special Drive (Spec. 1000-1001)	4	4
24	A-2193-01	Screw, 5/16-18x3/4 (T-70, Spec. 1002)	-	4
25	A-2193-05	Screw, 5/16-18x7/8 (T-70, Spec. 1002)	-	4
26	A-2837-02	Screw, 10-24x1/4	12	12
27	H-7932-01	Strip, Door	4	4
28	J-7376-01	Support, Junction Box	-	-
*29	H-3989-01	Support, Pumping Unit Deck	-	2
30	J-6230-01	Support, Pumping Unit Deck (T-70, Spec. 1002)	-	2
*31	A-0104-01	Washer, 9/16	-	1
*32	A-0044-01	Washer, 3/8	-	4

*Required for dispensers with Type 40 pumping units, Spec. 1000-1001 only.

**Serial number plates are furnished on original units only.

Note: Refer to the illustration. Check the dimension of the part at Letter "A". Part No. H-3998-02 = 4"
 Part No. H-3998-08 = 5-3/8"

BENNETT® 3700 Series
Drawing #7 Upper Door Assembly 7/91

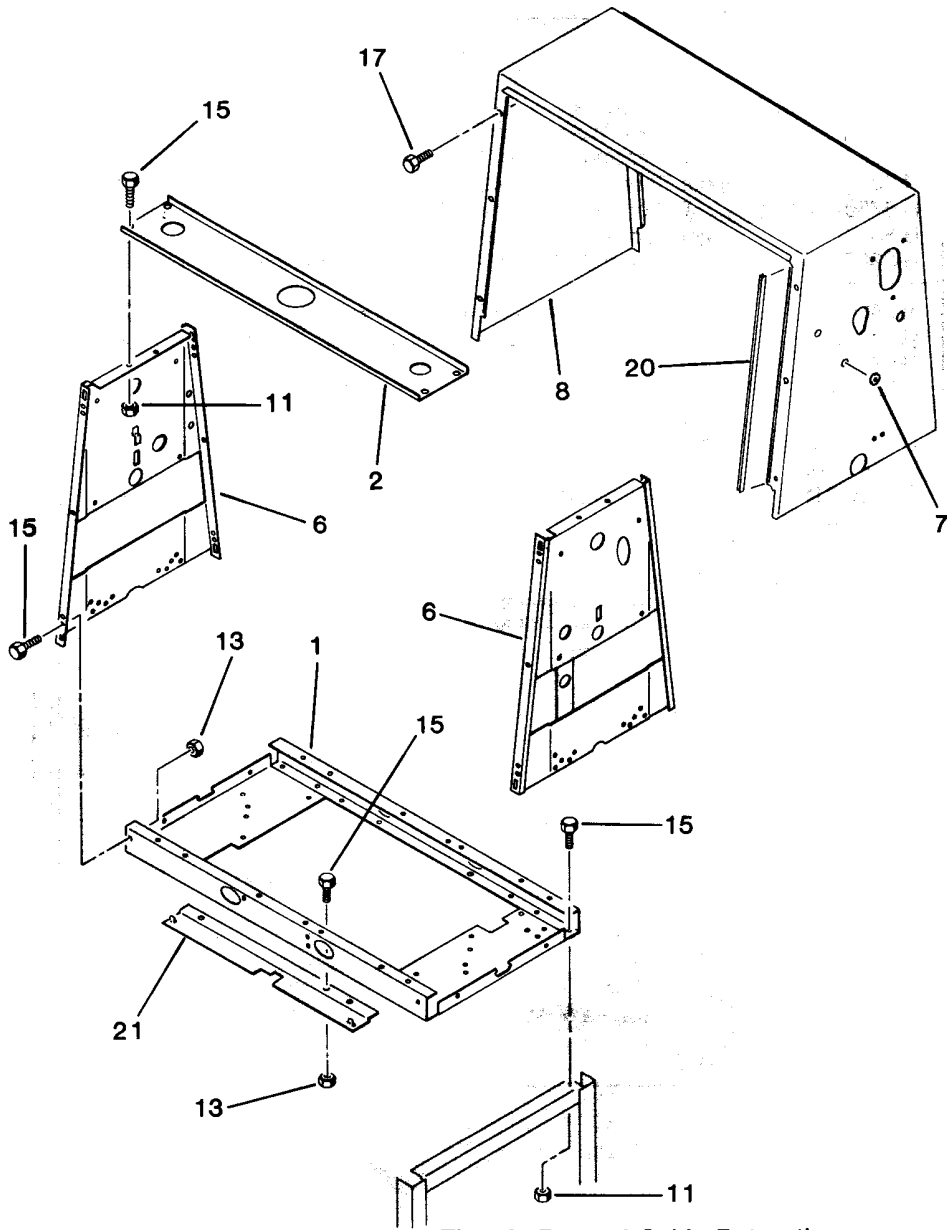


**BENNETT® 3700 Series
Parts List #7 Upper Door Assembly 9/91**

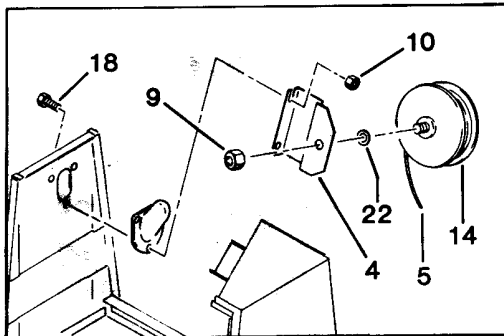
Ref. No.	Part No.	Description	Single	Twin	Single w/Ticket Printer
* 1	H-8808-05S	Upper Door Assembly with Frame	2	-	1
* 2	H-8807-01S	Cover and Window Assembly with out Frame	2	-	1
* 1	H-8808-06S	Upper Door Assembly with Frame	-	-	1
* 6	H-6759-02S	Cover, Ticket Door & Window Assembly	-	-	1
* 1	H-8808-28S	Upper Door Assembly with Frame	-	2	-
* 2	H-8807-07S	Cover and Window Assembly without Frame	-	2	-
* 1	†H-8808-15S	Upper Door Assembly (Liters) with Frame	2	-	1
* 2	†H-8807-03S	Cover and Window Assembly (Liters)	2	-	1
* 1	†H-8808-16S	Upper Door Assembly (Liters) with Frame	-	-	1
* 6	†H-6759-03S	Cover, Ticket Door & Window Assy (Liters) without Frame	-	-	1
* 1	†H-8808-30S	Upper Door Assembly (Liters) with Frame	-	2	-
* 2	H-8807-10S	Cover & Window Assembly (Liters) w/o Frame	-	2	-
3	A-3269-01S	Tape, 3-3/16 inch	4	8	4
4	A-3269-02S	Tape, 5-1/2 inch	4	8	4
5	J-0764-02	Window, 6-3/4x3-3/16	2	4	2
* 6	*H-6759-02	Cover & Door Assembly (Gallons)	-	-	1
	*†H-6759-03	Cover & Door Assembly (Liters)	-	-	1
	*H-6759-05	Cover & Door Assembly	-	2	-
7	H-6756-01	Door Assembly	-	2	1
	H-6754-01	Door	-	2	1
	H-6755-01	Door Stop	-	2	1
	H-6752-01	Hinge, Rubber	-	2	1
	A-2285-02	Rivet	-	8	4
8	A-2285-01	Rivet	-	8	4
9	H-7228-01	Spring, Door Stop	-	2	1
10	H-6753-01	Strip	-	2	1
11	H-6757-01	Dial Face without slot	1	2	1
	H-6757-02	Dial Face with slot	1	2	1
12	H-4590-01	Frame, Door	2	2	2
13	H-5556-01	Molding (Top and Bottom)	4	4	4
14	H-5556-02	Molding (Sides)	4	4	4
15	H-1991-01	Retainer (Top)	6	6	6
16	H-1990-01	Retainer (Sides & Bottom)	14	14	1
17	A-2356-01	Screw	4	16	4
18	546K115-01	Washer	4	16	4

* Specify Color
† For Export Only

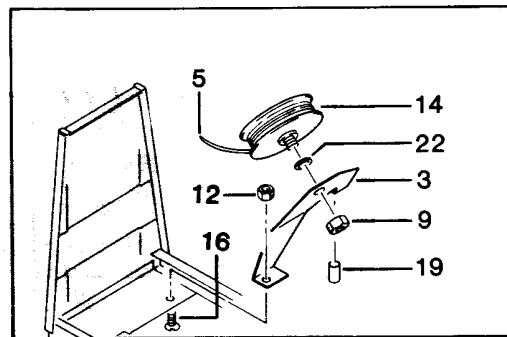
Glass H459102



Cam-ac / Cable Retraction



Electric Reset / Cable Retraction



**BENNETT® 3700 Series
Parts List #8 Upper Housing & Frame Assemblies 11/88**

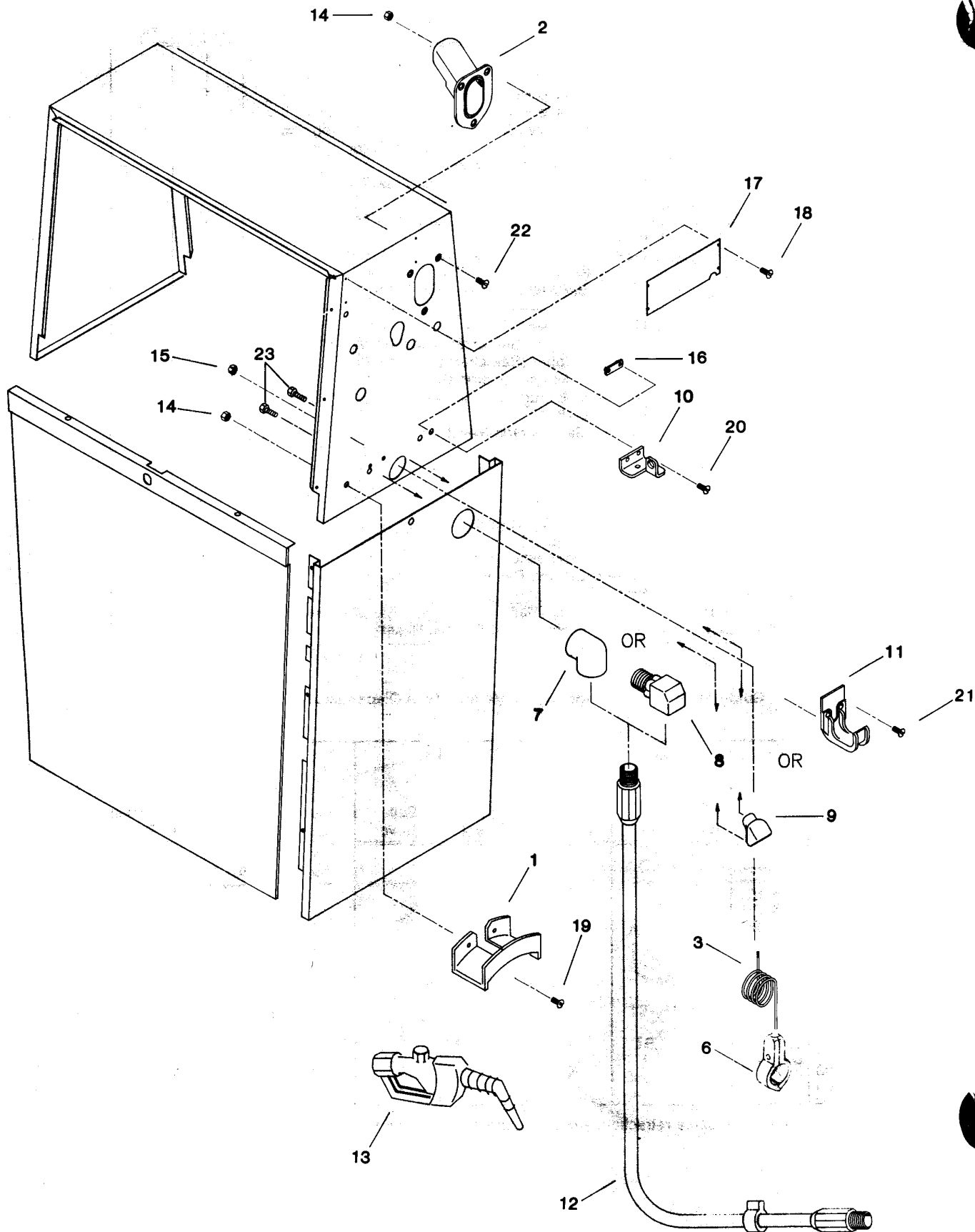
Ref. No.	Part No.	Description	Single	Twin
1	H-4568-05	Base Assembly, Upper Frame	1	1
2	H-4569-01	Brace Assembly, Top	1	1
3	H-8969-01	Bracket, Cable Reel (Electric Reset)	1	2
4	H-8835-01	Bracket, Cable Reel (Cam-Ac)	1	2
5	H-3389-01	Cable Assembly (Cam-Ac and Electric Reset)	1	2
6	H-6587-02	Frame Assy, Upper Side (Hose Side) for 3782 and 3788 (old style)	1	2
	H-6587-03	Frame Assy, Upper Side (Hose Side) for 3792 and 3789 (old style)	1	-
	H-8063-03	Frame Assy, Upper Side (Opposite Hose Side) (old style)	1	-
Note: Current models use two (2) of H-6587-02, except 3789 and 3792. They use one (1) H-6587-03 and one (1) H-6587-02.				
7	1066-K-102-1	Grommet, Reset	1	2
8	H-9904-04	Housing, Upper (See chart below for detail)	1	-
	H-9904-09	Housing, Upper (See chart below for detail)	-	1
9	A-0017-01	Nut (Cam-Ac and Electric Reset)	1	2
10	A-2076-01	Nut, 5/16-18 Huglock (Cam-Ac)	2	4
11	A-2676-01	Nut, 5/16-18	8	8
12	A-2190-10	Nut, 1/4-32 (Electric Reset)	1	1
13	A-2191-04	Nut/Lockwasher	8	8
14	H-3331-01	Reel Assy, Cable (Cam-Ac & Elec. Reset)	1	2
15	A-1617-01	Screw, 5/16-18x5/8	16	16
16	A-2086-01	Screw, flat head (Electric Reset)	1	1
17	A-2837-02	Screw, 10-24x1/4	12	12
18	A-2552-06	Screw, Lockwasher (Cam-Ac)	2	4
19	A-4327-01	Spacer (Electric Reset)	1	2
20	H-7932-03	Strip	4	4
21	H-8746-01	Support, Door Rail	2	2
22	A-2175-01	Washer (Cam-Ac and Electric Reset)	1	2

Guide to Upper Housings for Single and Twin Dispensers with Options

Part Number	Single	Twin	Cable Retrac. or Plastic Hook	Metal Hose Hanger	Keytrol	Self-Serve	Elec. Reset	Cam-Ac Reset	Ticket Printer
H-9903-10	X						X		
H-9903-11		X					X		
H-9904-01	X			X				X	X
H-9904-04	X		X					X	X
H-9904-09		X	X					X	X
J-6811-01	X			X	X			X	X
J-6811-02	X		X		X			X	
J-6811-03	X		X		X			X	X
J-6811-04	X			X	X	X	X		
J-6811-05	X		X		X		X		
J-3153-01	X		X			X	X		
J-3153-02		X	X			X	X		
J-3153-03	X			X		X	X		
J-3153-09	X		X			X	X		

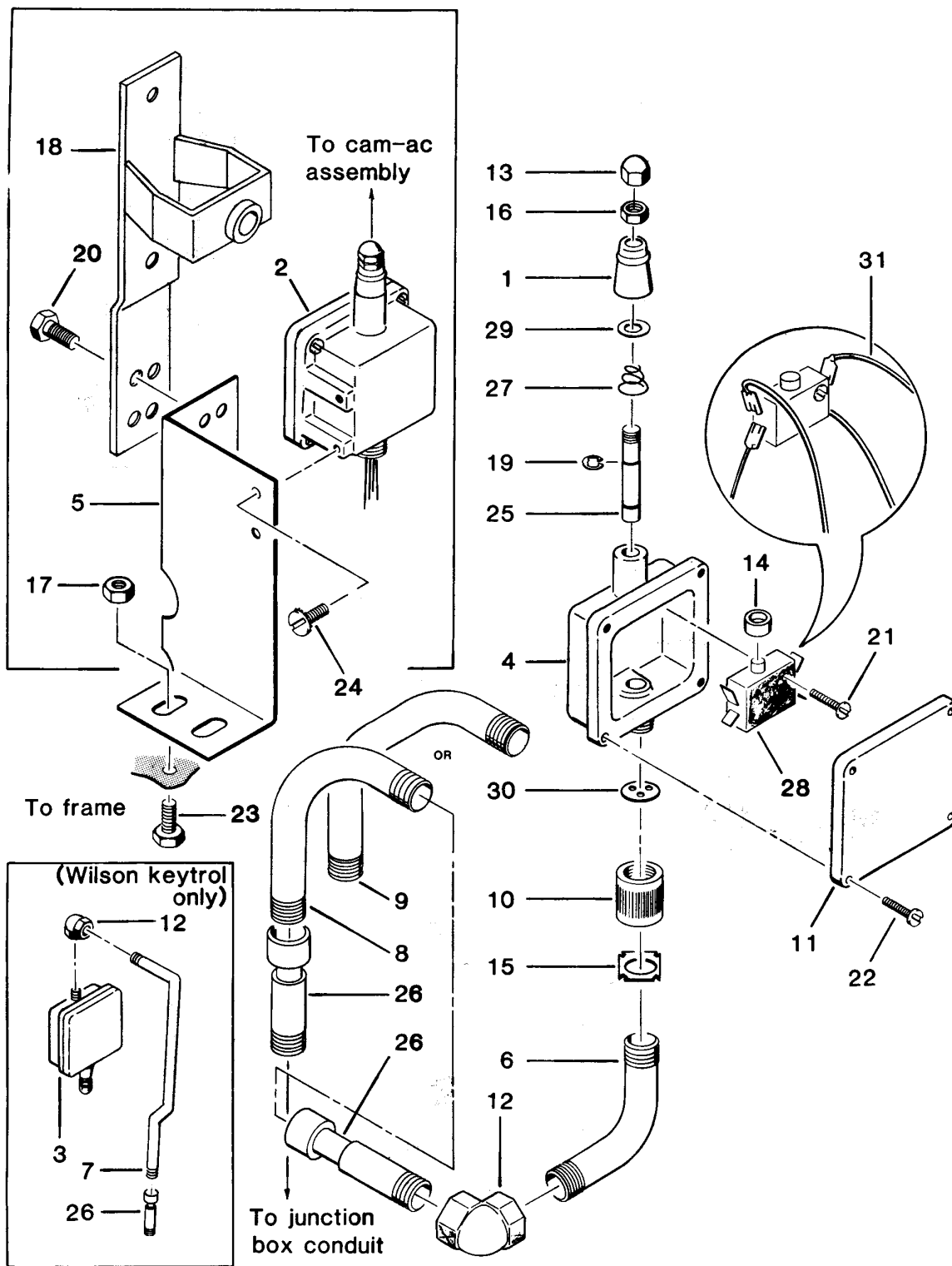
Example: A Single with cable retraction, self-serve and electric reset would require Upper Housing J-3153-01.

BENNETT® 3700 Series
Drawing #9 Hose Assembly 11/87



BENNETT® 3700 Series
Parts List #2 Main Frame & Panels - (New Style)
Self-Contained 9/91

Ref. No.	Part No.	Description	Sgl.	Twin
1	746-N-301-01	Bracket, Hose (old style)	1	2
2	J-0922-01	Boot, Nozzle	1	2
3	H-3389-01	Nylon Rope	1	2
4				
5				
6	N-3553-02	Hose Clamp 1"	1	2
	N-3553-03	Hose Clamp 5/8"	1	2
	N-3553-04	Hose Clamp 3/4"	1	2
7	N-7413-01	Elbow, 1" N.P.T.	1	2
8	H-1964-02	Elbow Assy, Swivel 3/4"	1	2
	H-1964-03	Elbow Assy, Swivel-H.D. 1"	1	2
9	H-5506-01	Eyelet	1	2
10	J-5601-01	Holder, Nozzle	1	2
11	J-8629-01	Hook, Hose	1	2
12	J-2930-01	Hose Assy, 5/8x12'	1	2
	J-3053-05	Hose Assy-H.D., 1x12'	1	2
13	E-1788-01	Nozzle	1	-
	E-1792-01	Nozzle - H.D.	1	-
	N-0194-09	Nozzle	-	2
	J-2669-01	Nozzle - H.D.	-	2
14	A-2190-10	Nut & Lockwasher	3	6
15	A-2190-08	Nut & Lockwasher	2	4
16	A-4144-01	Nut, Weld	1	2
17	H-9429-01	Plate, Instruction	1	2
18	A-3917-01	Rivet, Solid Oval Head	4	8
19	A-2328-01	Screw, 1/4-20x3/4	2	4
20	A-4145-01	Screw, Button Hd, 1/4-20	2	4
21	A-1286-01	Screw, 10-32	2	4
22	A-2089-02	Screw, 1/4-20x3/4	3	6
23	A-4017-01	Screw	2	4

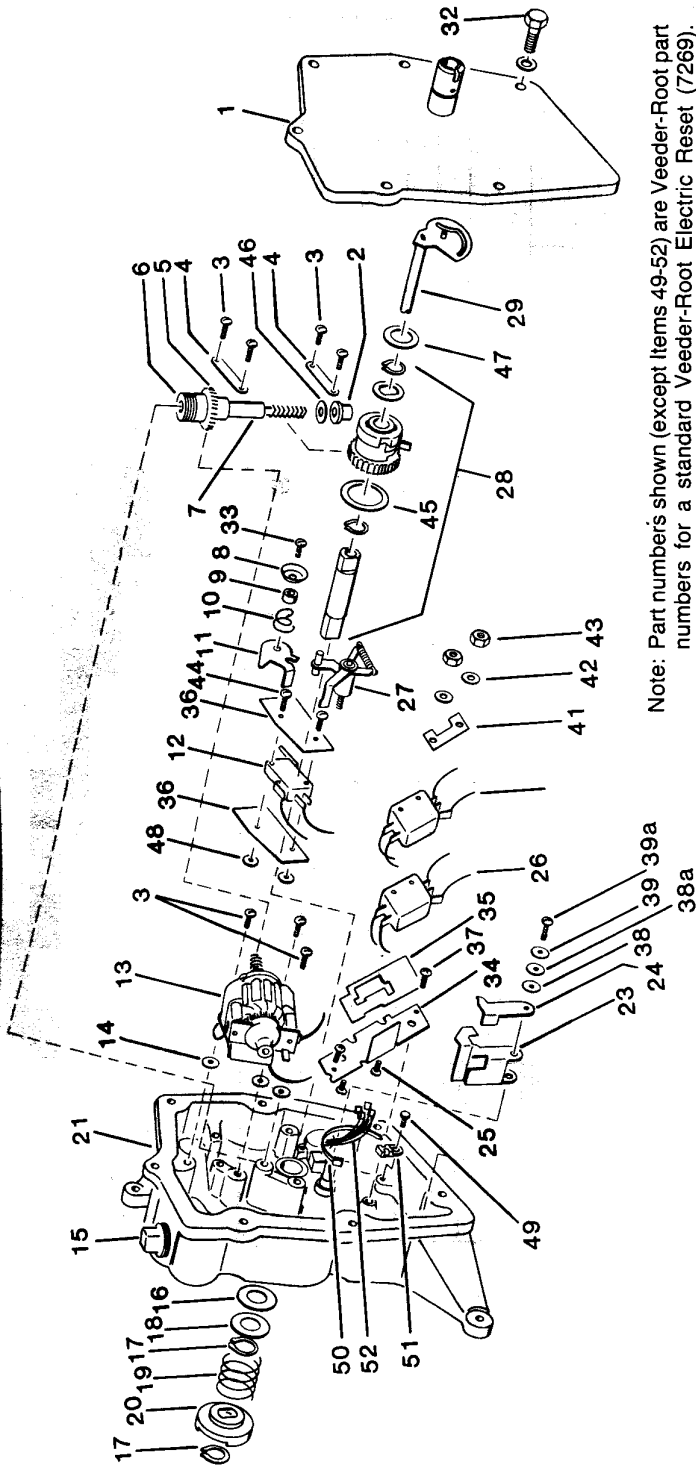


BENNETT® 3700 Series
Parts List #10 Switch Box & Conduit 9/91

Ref. No.	Part No.	Description	3	3	3	3	
			7	7	7	7	
			8	8	2	2	
			8	2	2	4	
			9	2	4	7	
			5				
1	H-8923-01	Boot	1	1	2	2	
2	H-8526-05	Box Assembly, Switch	-	-	-	2	
	H-8526-03	Box Assembly, Switch	-	-	2	-	
	H-8526-04	Box Assembly, Switch	1	-	-	-	
	H-8526-17	Box Assembly, Switch	-	1	2	-	
3	J-9676-01	Box Assy, Switch (Wilson Keytrol)	1	1	-	-	
4	H-2027-01	Box and Bearing Assembly	1	1	2	2	
5	H-8030-01	Bracket, Brace	1	1	2	2	
6	H-4608-01	Conduit	1	1	1	1	
7	H-8067-01	Conduit	1	1	-	-	
8	J-7626-02	Conduit	1	-	-	-	
	J-7627-02	Conduit	-	1	-	-	
	J-7627-01	Conduit	-	-	1	-	
	J-7625-01	Conduit	-	-	-	1	
9	J-7628-01	Conduit	-	-	1	-	
	J-7626-01	Conduit	-	-	-	1	
10	A-2838-01	Coupling	1	1	2	2	
11	H-1631-01	Cover	1	1	2	2	
12	J-5551-01	Elbow	1	1	1	1	
13	H-8926-01	Follower	1	1	2	2	
14	N-1382-01	Limiter, Travel	1	1	2	2	
15	A-2462-01	Locknut	1	1	2	2	
16	H-8927-01	Nut	1	1	2	2	
17	A-2191-04	Nut/Lockwasher, 5/16-18	1	1	2	2	
18	H-5501-01	*Plate & Bracket Assembly	1	1	2	2	
19	A-2856-01	Ring, Retaining	3	3	3	3	
20	A-3228-01	Screw	4	4	4	4	
21	A-2499-05	Screw/Lockwasher	2	2	2	2	
22	A-2197-05	Screw	4	4	4	4	
23	A-1617-01	Screw, 5/16-18x5/8	1	1	2	2	
24	A-3329-01	Screw/Lockwasher	2	2	2	2	
25	H-8925-01	Shaft, Switch	1	1	2	2	
26	H-0333-01	Slipjoint Assembly	1	1	2	2	
27	H-8924-01	Spring	1	1	2	2	
28	A-2759-01	Switch (Micro), E-20 - Double Contacts	-	1	2	-	
	A-2782-01	Switch (Micro), E-13 - Single Contacts	1	-	-	2	
29	A-1819-01	Washer	1	1	2	2	
30	E-1917-01	Washer, Sealing	-	1	-	2	
	132-E-134-01	Washer, Sealing	1	-	2	-	
31	H-1563-03	Wire Assembly-60" Blue 18 AWG	-	2	-	2	
	H-1564-14	Wire Assembly-62" Red 14 AWG	1	-	2	-	
	H-4618-02	Wire Assembly-60" Yellow 18 AWG	-	-	-	2	

*See Parts List #1 for Cam-Ac and Handle Assembly components.

BENNETT® 3700 Series
Parts List #11 Electric Reset-Veeder Root 7269 7/91



Note: Part numbers shown (except items 49-52) are Veeder-Root part numbers for a standard Veeder-Root Electric Reset (7269). Replacement parts can be ordered through a Veeder-Root Distributor or Bennett Pump Co.

Ref. No.	Veeder-Root Part No.	Description	Qty.
9	884008-388	Bushing (Use w/Item 11, 320635-001, See Note 1)	1
10	884009-018	Bushing (Use w/Item 11)	1
11	310325-240	Spring (Use w/Item 11)	1
	317727-001	Pawl w/o Finger (See Items 8 & 9, See Note 1)	1
	320635-001	Pawl w/Finger (See Items 8, 9 & 10)	1
12	510907-701	S3 Motor Switch	1
13	321475-001	110 VAC Elec. Motor	1
14	74800-259	220 VAC Elec. Motor	1
	11071-631	Washer	As Req'd
	885005-757	Washer	As Req'd
15	512000-010	Plug (if using conduit connector flange) See Note 2	1
16	885005-752	Washer	As Req'd
	885005-753	Washer	As Req'd
	885005-764	Washer	As Req'd

Ref. No.	Veeder-Root Part No.	Description	Qty.
1	317710-003	Unmarked Cover Group	1
	86662-006	Coupling	1
	317711-001	Shaft	1
	510105-178	Groove Pin	1
	511802-001	Retaining Ring	1
	11071-929	Washer	As Req'd
2	884008-385	Lower Bushing (Not included in Item 7)	1
3	510500-313	Screw	7
4	317718-001	Strap	2
5	884008-386	Middle Bushing (Not included in Item 7)	1
6	510700-430	Upper Bearing (Not included in item 7)	1
7	317715-001	Jack Shaft Assembly	1
8	74800-363	Washer (Use w/Item 11, 317727-001) See Note 1	1
	317719-001	Spring Retainer (Use w/Item 11, 320635-001)	1

**Order Bennett No. J-2100-1 for Complete
Electric Reset Assembly (Does not include wire harness)**

Ref. No.	Veeder-Root Part No.	Description	Qty.
38	11071-325	Washer	As Req'd
38A	74800-184	Washer	1
39	510049-001	Lockwasher	1
39A	501202-001	Screw	1
40		Not used	
41	324381-001	Buffer Plate	1
42	510009-002	Lockwasher	2
43	511007-001	Nut	2
44	501238-001	Screw	2
45	885005-751	Washer	1
46	11071-943	Washer	As Req'd
	11071-839	Washer	As Req'd
	11071-835	Washer	As Req'd
47	11071-195	Washer	1
48	74800-184	Washer	As Req'd
	11071-469	Washer	As Req'd
	11071-729	Washer	As Req'd
49	Bennett Part No. A-2030-01	Screw	1
50	A-3217-01	Wire Tie	1
51	A-3216-01	Wire Tie Mount	1
52	----	See Item 4, Page 27 for Wire Harness/Conduit & Adaptor Assembly	

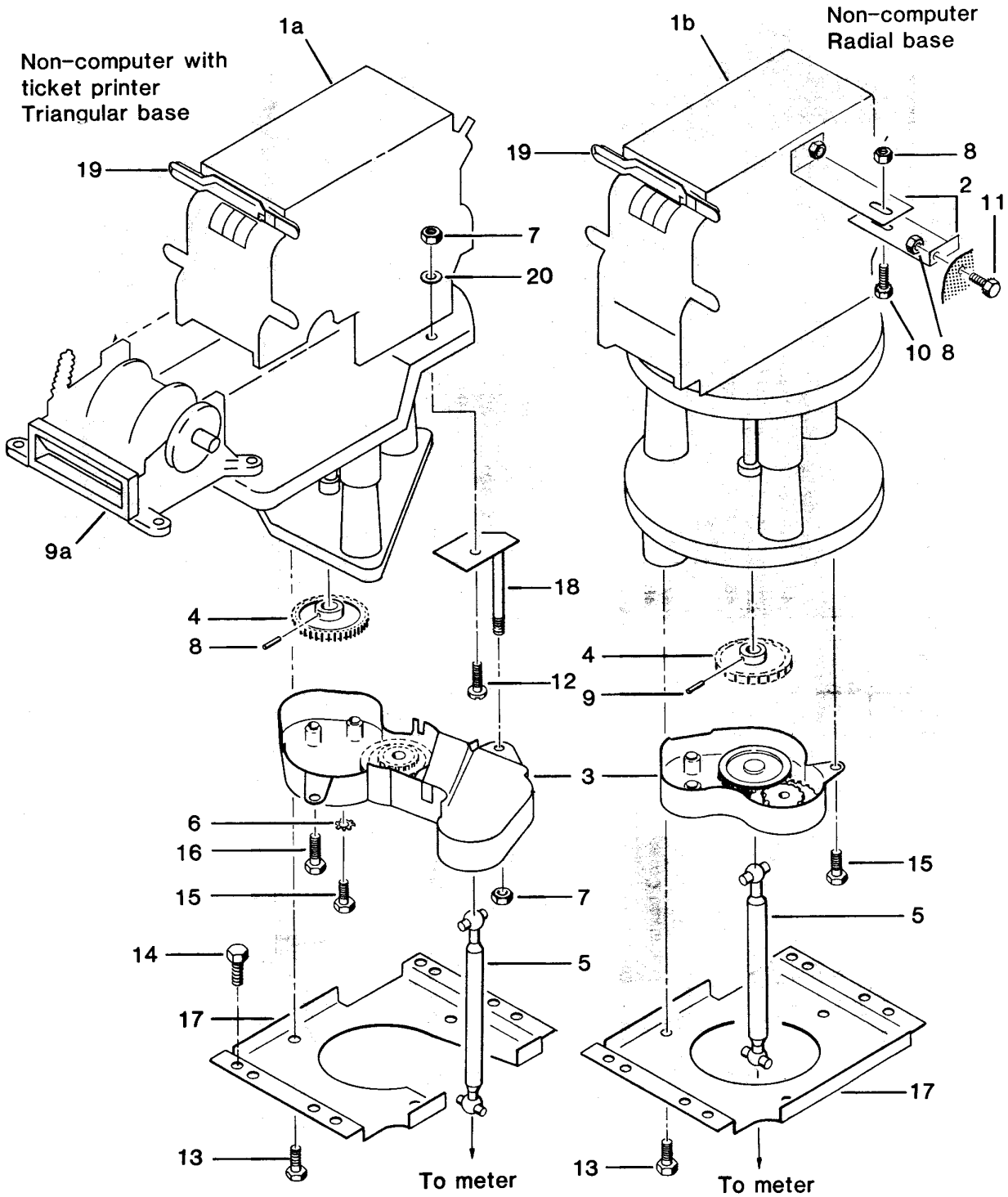
NOTES:

- For remotely resettable reset, use:
 Item 29 319426-001 Manual Cam Group Item 9 884008-388 Bushing
 Item 28 317721-005 Clutch Shaft Group Item 8 *74800-363 Washer
 Item 11 317727-001 Pawl w/o Finger
 Momentary Switch & Bracket Group 322778-001 (Item 22) may also be used.
 *Install in place of Spring Retainer 317719-001 & Spring 310325-240 (Item 10).
- If wiring will be routed through the lower hole in the Case Group, install a Hole Plug 512000-010 (Item 15) in the top hole. Install a Conduit Connector Flange 317820-001 with mounting hardware on the lower hole.
- When using only one Switch, Item 25, changes to 501700-163 and Item 24 is replaced with (2) 11071-965 Washers. Do not intermix switches. Switches must be used in pairs by manufacturer. Replace a Unimax switch with a Unimax switch and a Robertshaw with a Robertshaw. If both switches are being replaced, you may use a pair of Unimax or Robertshaw switches. In resets with a single switch, either switch can be used.
- If wiring will be routed through the top hole in the Case Group, install Flange Cover 318174-001 on the lower hole.
- Clutch Shaft Group 317721-007 may be used to obtain early pump motor turn on.

Ref. No.	Veeder-Root Part No.	Description	Qty.
17	511800-106	Retaining Ring	2
18	74800-419	Washer	1
19	318398-002	Spring	1
20	318401-002	Drive Washer	1
21	317712-002	Case Group	1
22	----	Not Used	
23	318395-001	Switch Pawl Group	1
24	317714-001	Switch Pawl	1
25	501700-162	Screw - See Note 3	2
26	510908-336	Switch-Unimax - See Note 3	1 or 2
26	510908-405	Switch-Robertshaw-See Note 3	1 or 2
27	317729-002	Stop Group	1
	317732-001	Stop Pawl	1
	317728-002	Post	1
	14427-872	Spring	1
	510500-312	Screw	1
	74800-363	Washer	1
28	317721-004	Clutch Shaft Group (w/ Plastic Cam 317725-002)	1
	317721-006	Clutch Shaft Group (w/ Metal Cam 317725-004)	1
	317721-005	Clutch Shaft Group (Remotely Resettable) See Note 1	1
29	317733-003	Clockwise Manual Cam Group	1
	317733-004	Counterclockwise Manual Cam Group	1
	319426-001	Remotely Resettable Clockwise Manual Cam Group See Note 1	1
30		Not used	
31		Not used	
32	503623-001	Cover Screw	7
	510020-001	Cover Washer	7
	317820-001	Conduit Connector Flange (not shown) See Note 2	1
	318174-001	Conduit Cover Flange (not shown) See Note 4	1
	502700-101	Screw (not shown)	4
	510056-002	Lock Washer (not shown) See Note 2	4
33	510500-317	Screw	1
34	323253-002	Switch Plate	1
35	323106-004	Insulator	1
36	323105-001	Insulator	2
37	502200-118	Screw	2

BENNETT® 3700 Series

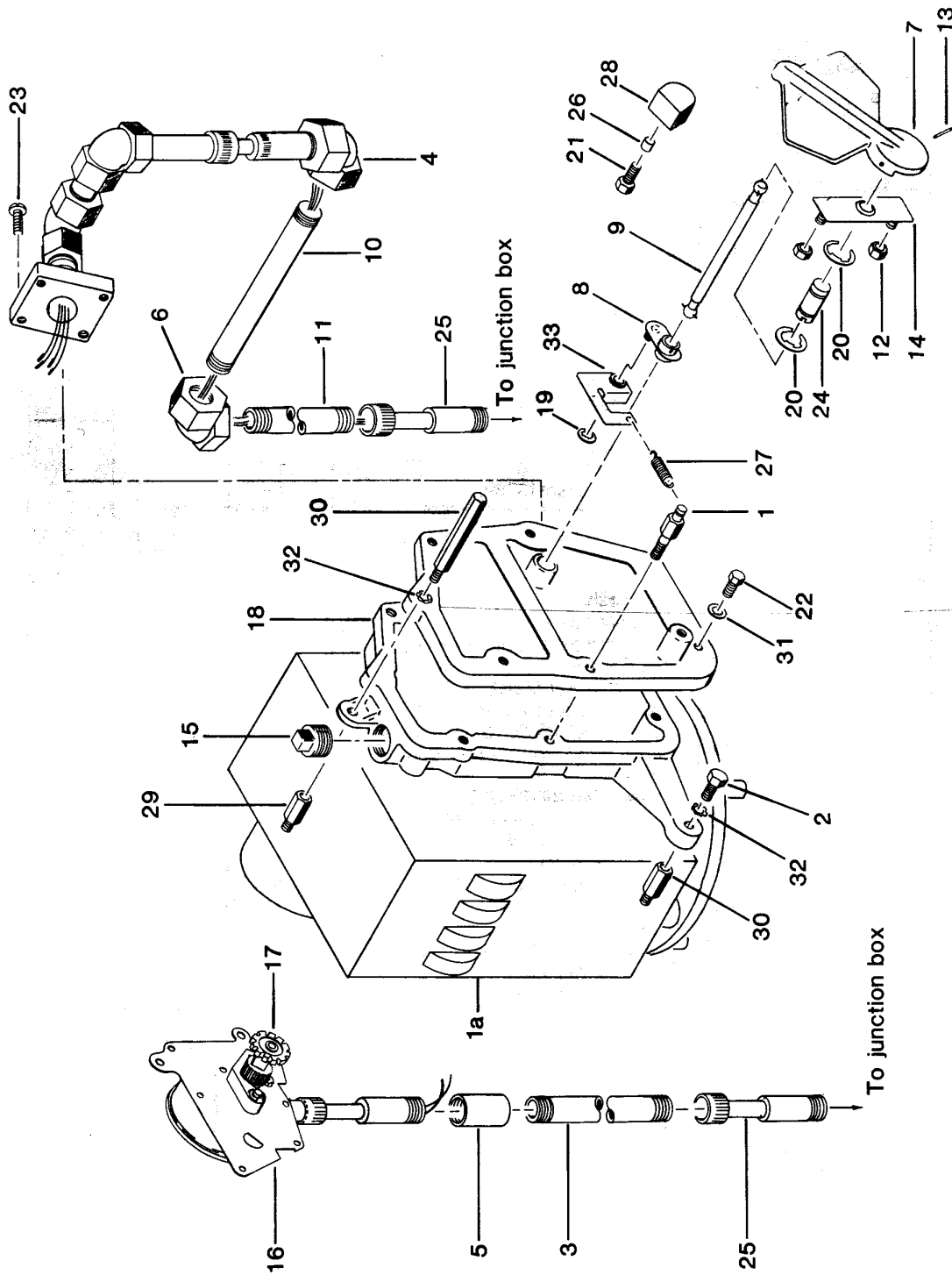
Drawing #12 Non-Computer with Cam-Ac Reset and Gear Box Assembly 11/88



Ref. No.	Part No.	Description	Singles w/Printer Qty.	Singles Qty.	Twins Qty.
1a	J-0537-01	Non-Computer Assemblies Non-Computer Only for use with Ticket Printer-Gallon	1	-	-
	J-0537-02	Non-Computer Only for use with Ticket Printer-Liter	1	-	-
1b	H-9561-01	Std. 4 Rotor Non-Computer (Gallon)	-	1	2
	†H-9561-06	4 Rotor Non-Computer (Liter)	-	1	2
2	H-9450-01	Brace, Computer (Singles only)	2	2	-
*3		Gear Box Assembly	-	-	-
	H-8985-01	Radial Base-Gallons	-	1	-
	†H-8985-07	Radial Base-Liters	-	1	-
	H-8985-02	Triangular Base-Gallons	1	-	-
	†H-8985-08	Triangular Base-Liters	1	-	-
	H-9433-01	Radial Base-Gallons	-	-	2
	†H-9433-03	Radial Base-Liters	-	-	2
4	H-8962-01	Gear-Gallons	1	1	-
	†J-5163-01	Gear-Liter	1	1	-
5	E-9919-19	Link, Universal (3789)	1	-	-
	E-9919-10	Link, Universal (3788, 3782)	-	1	-
	H-9024-03	Link, Universal (3722, 3724)	-	-	2
	H-9024-04	Link, Universal (3725, 3727)	-	-	2
6	A-0623-01	Lockwasher	2	2	2
7	A-2190-06	Nut/Lockwasher	3	-	-
8	A-2190-10	Nut/Lockwasher (Singles only)	2	2	-
9	E-0477-01	Pin, Groove	1	1	1
9a	E-5902-01	Printer, Ticket (Zero)	1	-	-
	E-5902-02	Printer, Ticket (Accum.)	1	-	-
10	A-0075-01	Screw, Cap 1/4-20 (Singles only)	2	2	-
11	A-2089-02	Screw, Oval Hd. (Singles only)	1	1	-
12	A-0387-01	Screw	2	-	-
13	A-1379-01	Screw, Cap 3/8-24x1/2	3	3	3
14	A-2552-02	Screw, 5/16-18x5/8	4 or 8	4	8
15	746-M-107-01	Screw, Shoulder	2	2	2
16	A-2197-01	Screw/Lockwasher	2	2	1
17	H-5763-01	Support, Computer	1	1	-
	H-4566-01	Support, Computer	-	-	2
18	H-9391-01	Support Assembly, Gear Box	1	-	-
19	76763-125	Totalizer, Mechanical	1	1	2
20	A-1855-01	Washer, Flat	2	-	-

†For Export Only

BENNETT® 3700 Series
Drawing #13 Non-Computer, Electric Reset & Pulser 9/91

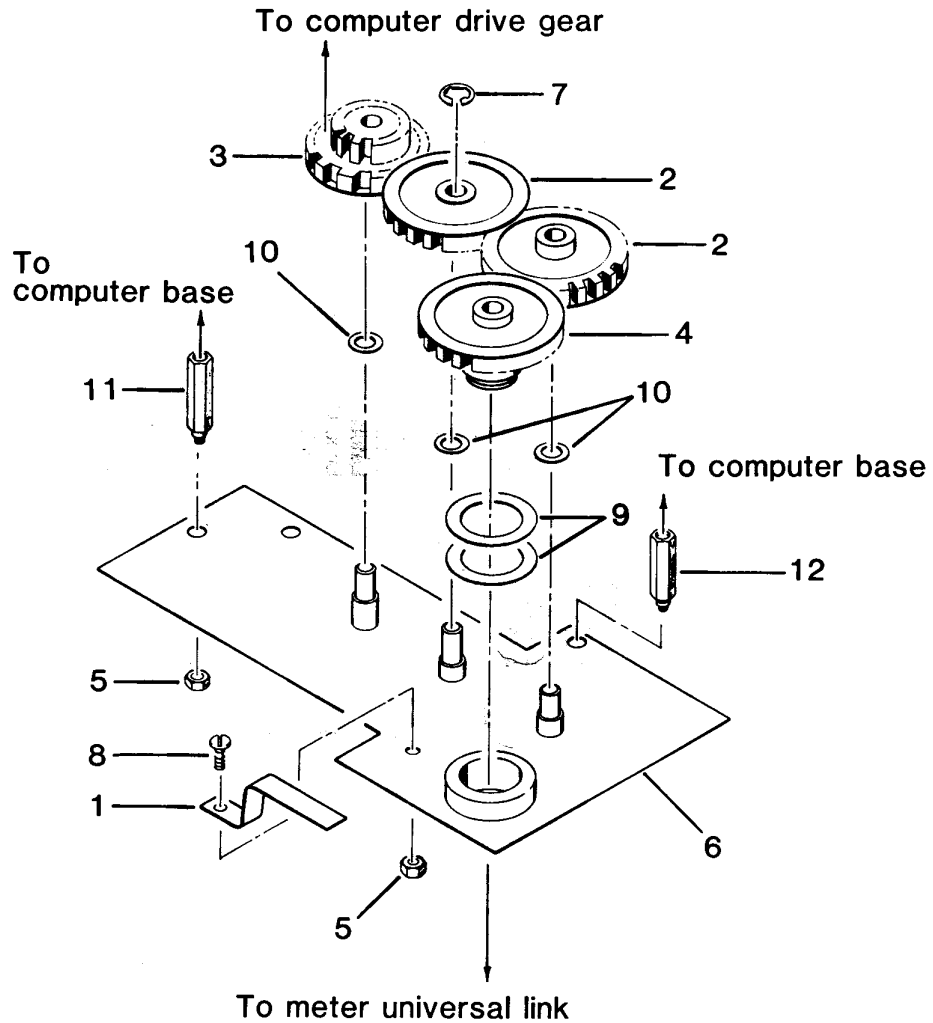


**BENNETT® 3700 Series
Service Repair Kits for
Non-Computers 11/88**

Ref. No.	Part No.	Description	3	3	3	3	3	3	3	3
1a	N-5706-01	Non-Computer Only for Elec. Reset - Less Electric Reset	1	1	2	2	2	2	2	2
1	J-5933-01	Anchor, Spring	1	1	1	1	1	1	1	1
2	J-7552-01	Bolt (Veeder Root #503612-004)	1	1	1	1	1	1	1	1
3	J-7409-01	Conduit	1	1	1	1	1	1	1	1
	J-7375-01	Conduit ("A" Side)	-	-	-	-	-	-	-	-
	H-8166-01	Conduit ("B" Side)	-	-	-	-	-	-	-	-
	J-7594-01	Conduit ("A" Side)	-	-	-	-	-	-	-	-
	J-7554-01	Conduit ("B" Side)	-	-	-	-	-	-	-	-
4	J-7419-05	Conduit & Adaptor Assembly	1	1	2	2	2	2	2	2
	J-7419-10	Conduit & Adaptor Assembly	-	-	2	2	2	2	2	2
5	A-2838-01	Coupling, Conduit	1	1	2	2	2	2	2	2
6	J-5551-01	Elbow	1	1	2	2	2	2	2	2
7	H-5512-02	Handle, Operating (See Page 3 for detail)	1	1	1	1	1	1	1	1
8	J-5935-01	Lever & Coupling Assembly	1	1	1	1	1	1	1	1
9	E-9919-17	Link, Universal (Long)	1	1	1	1	1	1	1	1
	J-8491-01	Link, Universal (Short)	-	-	2	2	2	2	2	2
10	156-E-121-30	Nipple	1	1	-	-	-	-	-	-
11	156-E-121-52	Nipple	1	1	-	-	-	-	-	-
12	A-2190-10	Nut & Lockwasher	2	2	4	4	4	4	4	4
13	A-2796-01	Pin, Spiral	1	1	2	2	2	2	2	2
14	J-3378-01	Plate & Bearing Assembly	1	1	2	2	2	2	2	2
15	A-0349-01	Plug	1	1	1	1	1	1	1	1
16	J-9268-01	Pulser & Slip Joint Assy.	1	1	1	1	1	1	1	1
17	A-3975-06	Gear, Pulser	1	1	1	1	1	1	1	1
18	J-2100-01	Reset, Electric - Unwired (See Page 22 for detail)	1	1	1	1	1	1	1	1
19	A-1946-01	Ring, Retaining	2	2	4	4	4	4	4	4
20	A-2135-01	Ring, Retaining	2	2	4	4	4	4	4	4
21	A-2192-04	Screw	2	2	4	4	4	4	4	4
22	-----	Screw, Cover (Veeder Root #503623-001)	7	7	14	14	14	14	14	14
23	A-2197-05	Screw/Washer	1	1	4	4	4	4	4	4
24	N-0443-02	Shaft, Handle	1	1	2	2	2	2	2	2
25	H-0333-01	Slipjoint Assembly	2	2	2	2	2	2	2	2
26	J-7044-01	Spacer	2	2	4	4	4	4	4	4
27	J-6966-01	Spring	1	1	1	1	1	1	1	1
28	J-7045-01	Stop, Handle	2	2	4	4	4	4	4	4
29	-----	Stud, short (Veeder Root #314841-001)	3	3	6	6	6	6	6	6
30	-----	Stud, long (Veeder Root #877040-422)	2	2	4	4	4	4	4	4
31	-----	Washer, Cover (Veeder Root #510020-001)	7	7	14	14	14	14	14	14
32	-----	Washer, Lock (Veeder Root #510003-006)	3	3	6	6	6	6	6	6
33	J-7335-01	Yoke Assembly	1	1	1	1	1	1	1	1

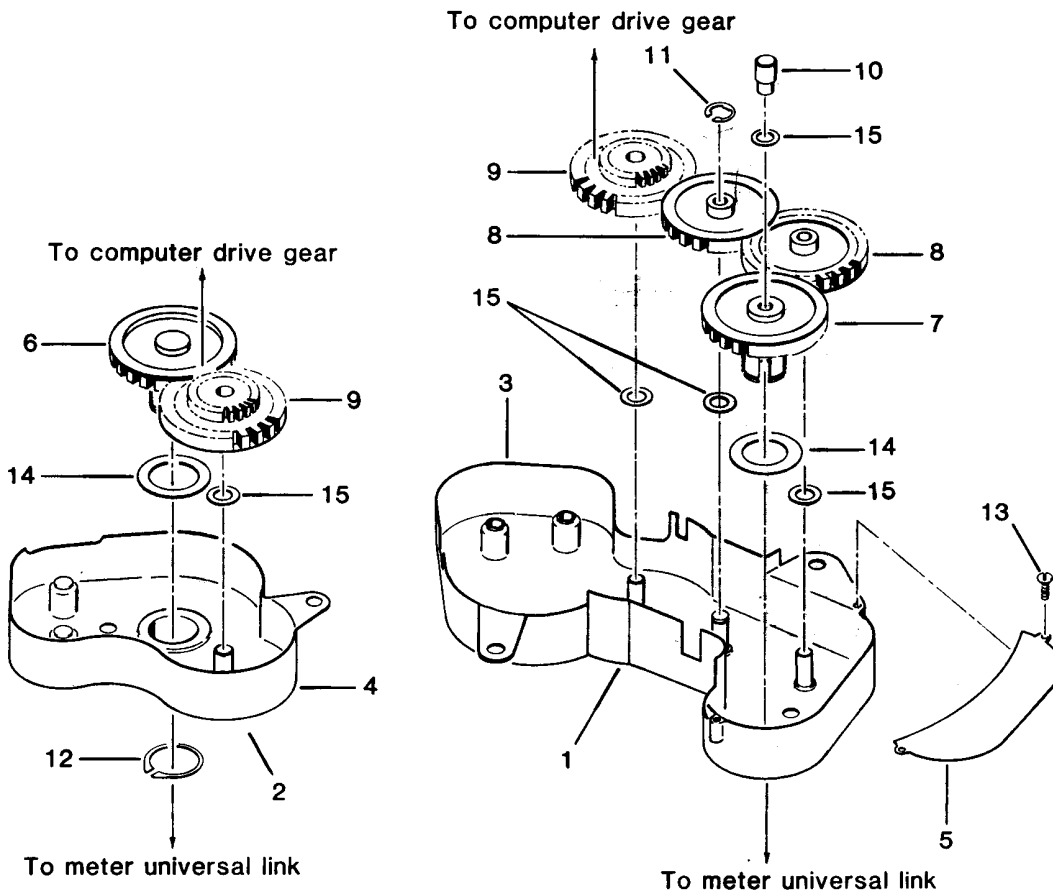
Ref. No.	Part No.	Description	Qty.
	KR-190-01	Kit for replacing old style non-computer (radial base) w/new style non-computer (triangular base):	1
	H-8631-01	Bracket, Mounting	2
	A-2240-01	Washer	
	KR-314-01	Kit for installing single interlock on Non-Computer:	1
	E-6037-01	Dog, Lockout	1
	A-3982-01	Pushnut	1
	A-3989-01	Shaft, Extended	1
	E-6045-01	Spring	1
	A-1855-01	Washer	2
	KR-315-01	Kit for installing double interlock on Non-Computer:	1
	E-6043-01	Collar	1
	E-6037-01	Dog, Lockout	1
	E-7673-01	Latch	1
	E-8200-01	Latch	1
	E-7674-01	Link, Connecting	1
	E-6032-01	Lock	1
	E-0091-01	Pin	1
	A-3982-01	Pushnut	1
	A-1889-01	Screw, Set	1
	A-1724-01	Screw, Set	1
	A-3989-01	Shaft, Extended	1
	E-8199-01	Spacer	1
	E-6045-01	Spring	1
	E-6042-01	Spring	1
	A-1855-01	Washer	2
	A-0765-01	Washer	2
	KR-295-03	Kit for Veeder-Root or Bennett over center spring and handle stops for electric reset:	1
	J-5933-01	Anchor, Spring	1
	J-5935-01	Lever and Coupling Assembly	1
	A-1946-01	Ring, Retaining	1
	A-2192-04	Screw, Hex head	2
	J-7044-01	Spacer	2
	J-6966-01	Spring	1
	J-7045-01	Stop	2
	J-7335-01	Yoke and Bearing Assembly	1

BENNETT® 3700 Series
Parts List #14 Gear Plate Assembly
For Type 56-4 Rotor Computer Only 11/87



Ref. No.	Part No.	Description	Qty.
	H-6578-01	Gear Plate Assembly	1
1	H-6581-01	Bracket	1
2	H-8960-01	Gear, Intermediate	2
3	H-8961-01	Gear & Bushing Assembly	1
4	H-8959-02	Gear & Coupling	1
5	A-2190-06	Nut/Lockwasher, 10-24	1
6	H-6577-01	Plate Assembly	1
7	A-1944-01	Ring, Retaining "E"	1
8	A-2038-01	Screw, 10-24x5/8	1
9	746-M-108-01	Washer	3
10	746-M-110-01	Washer	3
(5)	A-2190-06	Nut/Lockwasher, 10-24	3
11	E-9589-01	Spacer	2
12	H-6585-01	Spacer	1

BENNETT® 3700 Series
Parts List #15 Gear Box Assembly 9/91



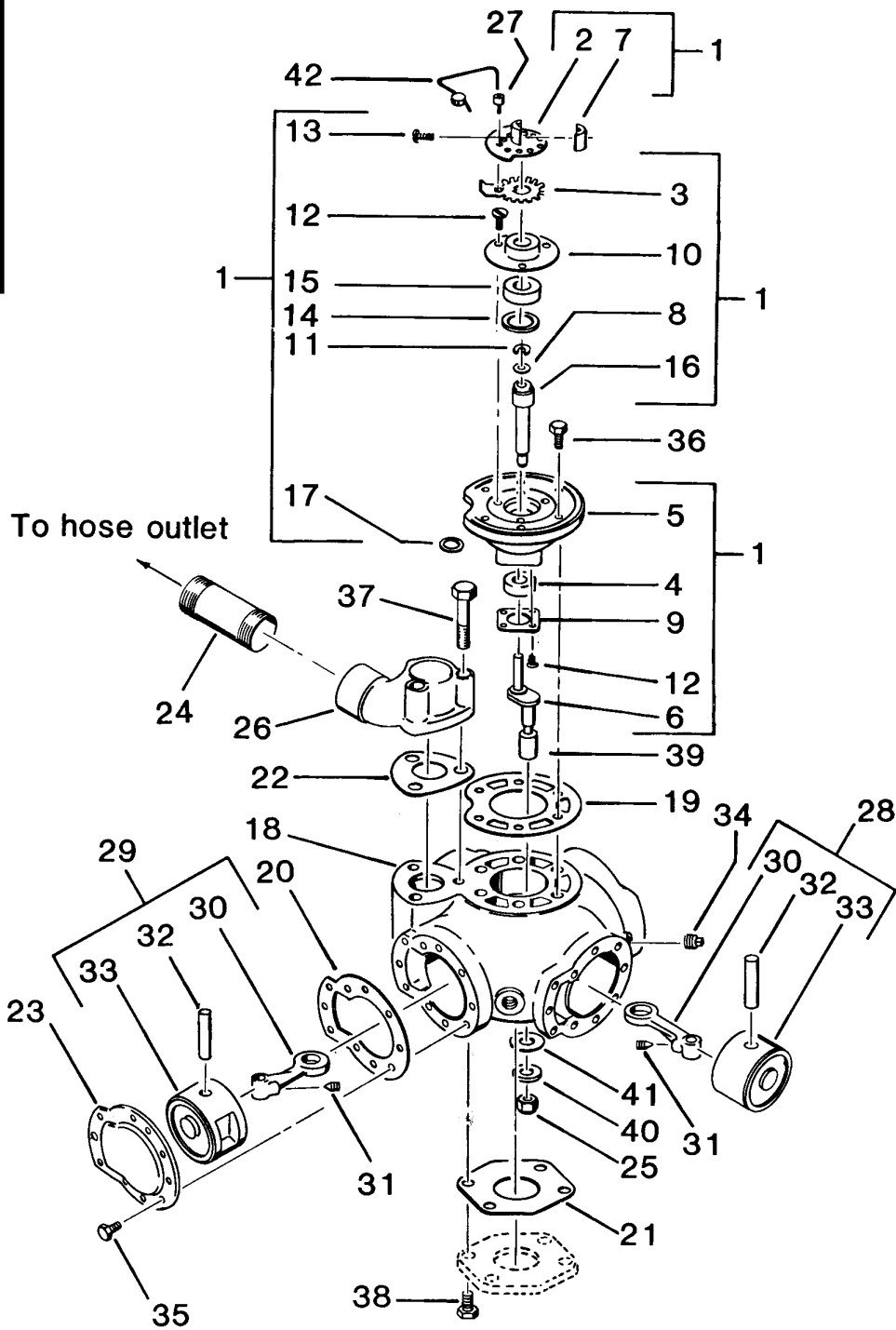
BENNETT® 3700 Series
Service Repair Kits for
Gear Box Assembly 11/87

Ref. No.	Part No.	Description	Twin Offset Mount Qty.	Single Center Mount Qty.
1	H-8985-01	Gear Box Assembly	-	1
	†H-8985-07	Radial Mount-Gal.	-	1
	H-8985-02	Radial Mount-Liters	-	1
	†H-8985-08	Triangular Mount-Gal. (for 3789 & 3792 only)	-	1
2	H-9433-01	Triangular Mount-Liters (for 3789 & 3792 only)	-	1
	†H-9433-03	Gear Box Assy-Gal. Gear Box Assy-Liters	1	-
3	H-9042-01	Box Gear	-	1
4	H-9026-01	Box, Gear	1	-
5	H-9041-01	Cover, Radial Mount	-	1
	H-9369-01	Cover, Traingular Mount	-	1
6	H-8959-02	Gear	1	-
7	H-8959-03	Gear	-	1
	H-8960-01	Gear, Intermediate	-	2
8	H-8961-01	Gear & Pinion-Gallons	1	1
	†J-5164-01	Gear & Pinion-Liters	1	1
9	H-8967-01	Pin, Spacer	-	1
	H-8967-01	Pin, Spacer	-	1
10	H-8967-01	Pin, Spacer	-	1
11	A-1944-01	Ring, Retaining	1	1
12	A-1994-01	Ring, Retaining	1	-
13	A-4003-01	Screw	-	2
14	746-M-108-01	Washer	1	1
15	746-M-110-01	Washer	1	4

Part No.	Description	3782	3789
		3788	3792
KR-294-04	Quick Change Gear Box Assy (U.S. Gallons to Liters)	1	-
KR-294-05	Quick Change Gear Box Assy (U.S. Gallons to Liters)	-	1
Kit includes:			
J-6121-01	Adaptor, Drive	1	1
J-6136-01	Box Assy, Gear	1	1
J-6128-02	Cover, Dust	1	1
J-6980-01	Instructions	1	1
E-9919-21	Link, Universal	1	-
H-9024-02	Link, Universal	-	1
A-2941-02	Pin	1	1
A-2197-01	Screw	3	3
A-2197-04	Screw	1	-
J-6120-01	Spacer	2	1
J-6655-01	Spacer	2	2
H-9391-02	Support Assy	-	1

†For Export Only

BENNETT® 3700 Series
 Drawing #16 Type 40 Meter Assembly 11/88



BENNETT® 3700 Series
Parts List #16 - Type 40 Meter Assembly 9/91

Ref. No.	Part No.	Description	Qty.
	H-6070-01S †H-6070-31S	Meter Assembly-Type 40 Standard Export	1 1
1	H-6258-01 †H-6258-07	Bearing & Adj. Dial Assy Assembly includes:	1
2	H-7815-01	Adj. Dial & Coupling Assy	1
3	H-3945-01	Adj. Dial, Lower	1
4	E-0088-01	Bearing, Ball	1
	E-0088-02	Bearing, Ball Stainless Steel	
5	H-3719-01	Bearing & Bushing Assy	1
6	H-3717-01	Crankshaft Assy	1
7	H-6504-01	Coupling, Half	1
8	A-2122-20	Ring, "0"	1
9	541-M-125-01	Plate, Retaining	1
10	H-3521-01	Retainer, Lip Seal	1
11	A-1946-01	Ring, Retaining	1
12	A-0991-01	Screw, Flat 8-32x5/16	7
13	H-6505-01	Screw, Coupling	1
14	A-2470-14	Seal	1
15	A-3237-02	Seal, Lip	1
16	H-3715-01	Sleeve, Eccentric	1
17	N-3394-01	Washer, Thrust	1
18	541-M-4000-01	Body and Sleeve Assembly	1
19	541-M-117-01	Gasket, Bearing	1
20	E-0090-01	Gasket, Cylinder Head	4
21	E-9932-01	Gasket, Inlet	1
22	541-M-105-01	Gasket, Outlet	1

†Export Only

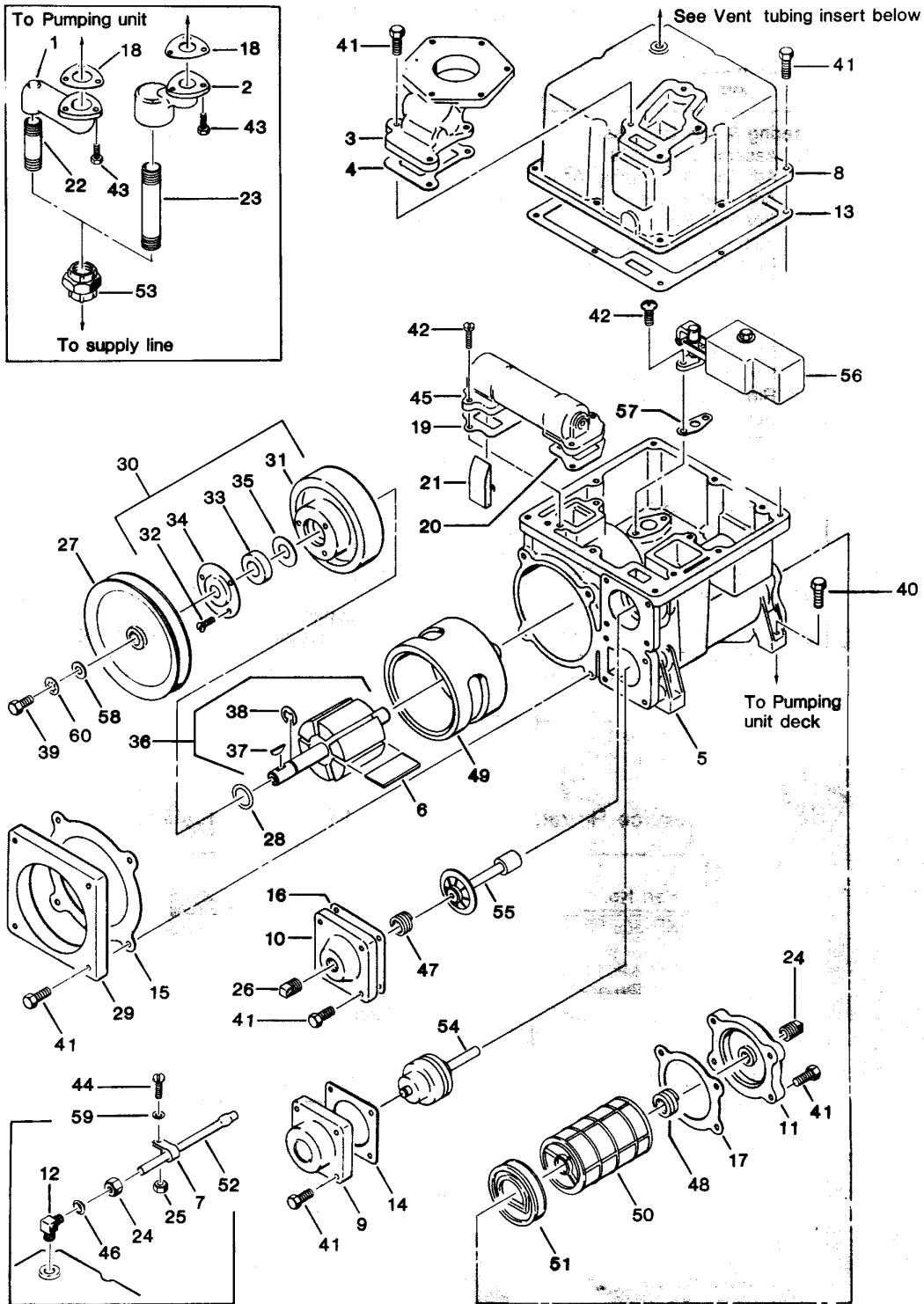
Ref. No.	Part No.	Description	Qty.
23	E-0089-01	Head, Cylinder	4
24	A-1844-03	Nipple, 1 x 1-1/2	1
25	A-2018-01	Nut, 3/8-24	1
26	H-5523-01	Outlet	1
	H-5524-01	Outlet (3725 & 3727 only)	1
27	A-3953-01	Pin, Locking	1
28	*	Piston Assembly, Right	2
29	*	Piston Assembly, Left	2
30	*	Rod, Connecting	4
31	*	Screw, Set	4
32	*	Pin, Piston	4
33	*	Piston	4
34	A-2818-01	Plug, Pipe	2
35	A-2269-01	Screw, 1/4-28x5/8	40
36	A-1743-01	Screw, 5/16-18x3/4	6
37	A-0635-01	Screw, 3/8-16x2	3
38	A-0137-01	Screw, Hex 5/16-18x3/4	4
39	371-M-0114-01	Sleeve, Crank Pin	1
40	746-M-0143-01	Washer	1
41	746-M-0131-01	Washer, Crankshaft	1
42	132-X-1001-01	Wire, Seal	1

*Not sold separately. The manufacturer recommends these parts not be replaced in the field.

BENNETT® 3700 Series
Service Repair Kit for Type 40 Meter 9/91

Ref. No.	Part No.	Description	Qty.
	KR-366-02	Gasket Set	
		Set includes:	
19	541-M-0117-01	Gasket, Bearing Cover	1
20	E-0090-01	Gasket, Cylinder Head	4
21	E-9932-01	Gasket, Meter Inlet	1
22	541-M-105-01	Gasket, Meter Outlet	1
14	A-2470-14	Seal	1
15	A-3237-02	Seal, Lip	1

BENNETT® 3700 Series
Drawing #17 Type 75 Pumping Unit 9/91
Models 3788, 3789 — Spec. 1004, 1005
Models 3725, 2727 — Spec. 1001, 1002



**BENNETT® 3700 Series
Parts List #17 - Type 75 Pumping Unit 9/91**

Ref. No.	Part No.	Description	Qty.
		Pumping Unit-Type 75	
	N-1907-09S	Standard with strainer	1
	N-1907-05S	3727	1
	N-1907-02S	H.D.	1
	†N-1907-12S	w/Hand Crank	1
	†N-1907-06S	H.D. w/Hand Crank	1
	†N-1907-04S	H.D. Prepay	1
1	J-8431-01	Adapter, Inlet 3788	1
2	J-8002-01	Adapter, Inlet (Left) 3725	1
	J-8001-01	Adapter, Inlet (Right) 3725	1
3	N-1529-01	Adapter, Meter	1
	N-1529-02	Adapter, Meter (3727)	1
4	N-1530-01	Adapter, Meter Prepay	1
	N-1628-01	Gasket, Adapter	1
	N-1628-02	Gasket, Prepay	1
5	N-1506-01	Body	1
6	541-N1005-02	Blade, Rotor Std. prior to 3/89	6
	N-2382-01	Blade, Rotor-H.D. & Std. from 3/89 on	6
7	A-2549-01	Clamp, Tube	1
8	N-1528-01	Cover, Atmospheric Chamber	1
9	N-1549-01	Cover, Bypass Valve	1
10	N-1548-01	Cover, Control Valve	1
11	N-1547-01	Cover, Filter	1
12	132-N0110-01	Elbow, Tube	1
13	N-1629-01	Gasket, Atmos. Cham. Cover	1
14	N-1624-01	Gasket, Bypass Valve	1
15	N-1627-01	Gasket, Clamping Ring	1
16	N-1623-01	Gasket, Con. Valve Cover	1
17	N-1622-01	Gasket, Filter cover	1
18	J-8024-01	Gasket, Inlet (Adapter)	1
19	N-1625-01	Gasket, Inlet (Separator)	1
20	N-1626-01	Gasket, Outlet (Separator)	1
21	N-1902-01	Nipple	1
22	E-1691-08	Nipple, 3x1-1/2 N.P.T.	1
23	E-1691-09	Nipple, 4-3/4x1-1/2 N.P.T.	2
24	132-N0127-02	Nut, Tube	1
25	A-2190-04	Nut and Lockwasher	1
26	A-0199-01	Plug, Pipe 1/4	2
27	N-1069-01	Pulley	1
	†J-7228-02	Pulley w/Hand Crank (not shown)	1
28	N-2381-01	Ring, Throw Out H.D.	2
	N-6504-01	Ring, Throw Out Std. Since 3/89	2
29	N-1559-01	Ring, Clamping	1
30	J-6827-02S	Rotor Support Assembly	1
		Assembly includes:	
31	N-1038-01	Cover, Rotor	1
32	A-4800-01	Screw, M3.5 Flat Hd	3
33	A-3237-02	Seal, Lip	1
34	H-3521-01	Seal, Retainer	1
35	A-2470-14	Seal, Square	1
36	N-2383-01	Rotor and Shaft Assy-H.D. & Std. since 3/89	1
		Assy. Includes Rotor, Shaft and:	
37	A-1995-01	Key	1
38	A-2535-01	Ring, Retaining	1

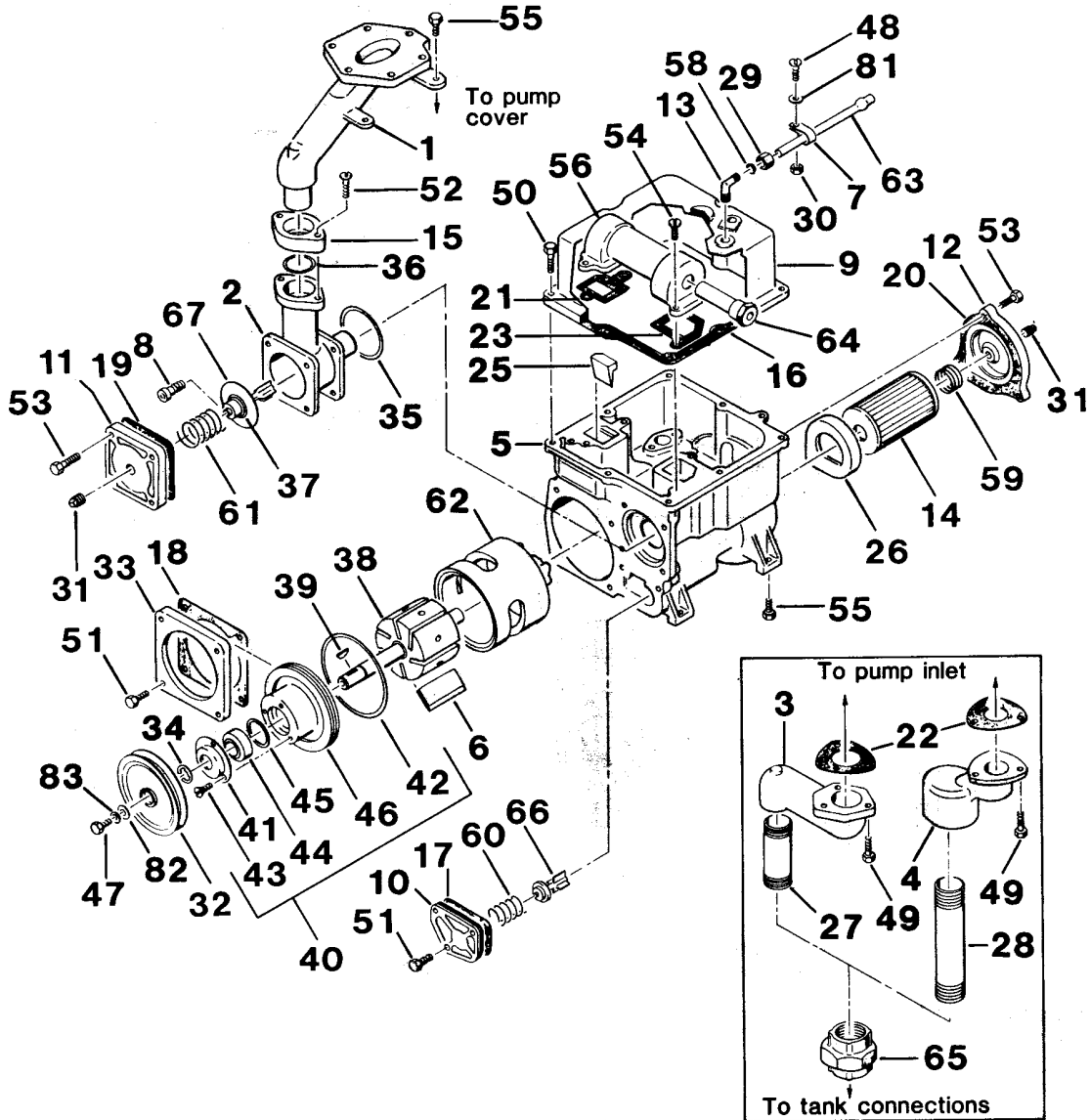
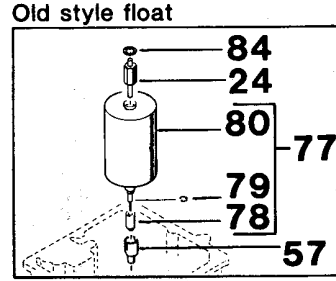
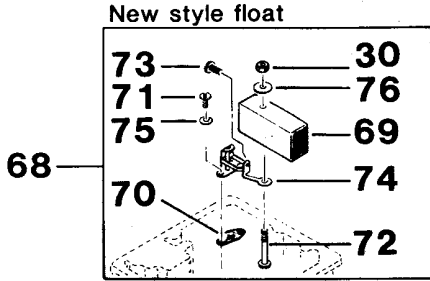
†For Export Only.

Ref. No.	Part No.	Description	Qty.
39	A-4799-03	Screw, M8 1.25x15MM	1
40	A-4799-01	Screw, M8 1.25x20MM	4
41	A-4799-02	Screw, M8 1.25x25MM	28
42	A-4801-01	Screw, M6 1x20MM	6
43	A-5047-01	Screw, 3/8-16x1/2	6
44	A-1069-01	Screw, 8-32x7/8	1
45	J-1956-03	Separator & Air Elim.	1
46	132-N0128-02	Sleeve, Tube	1
47	E-0080-01	Spring, Control Valve	1
	J-3252-01	Spring, Control Valve-H.D.	1
48	J-5067-01	Spring, Filter	1
49	N-1564-01	Stator, Std.	1
	N-1595-01	Stator, H.D.	1
50	J-5669-01	Strainer Metal Mesh	1
51	N-1603-01	Stop, Filter Insert	1
52	J-6528-01	Tube, Vent	1
53	A-3275-01	Union, 1-1/2	1 or 2
54	N-4812-01	Valve Assembly, Bypass	1
		Assy includes Valve &:	
		Guide	1
		Ring, Retaining	2
		Spring	1
55	N-1073-01	Valve Assy, Control w Relief Valve	1
		Assy includes Valve &:	
		Ring, "O"	1
		Ring, Retaining	1
		Valve, Relief	1
56	H-8769-03	Valve Assy, Float	1
		Assembly includes:	
		Float	1
57	541-N0105-01	Gasket	1
		Nut & Lockwasher	1
		Screw, 8-32	1
		Screw	1
		Valve	1
		Washer, Flat	1
58	A-0281-01	Washer	1
59	A-0640-01	Washer	1
60	A-0003-02	Washer, Lock	1

**BENNETT® 3700 Series
Service Repair Kit for
Type 75 Pumping Unit 9/91**

Ref. No.	Part No.	Description	Qty.
	KR-366-04	Gasket Set	1
		Set includes:	
4	N-1628-01	Gasket, Adapter Assy-Std.	1
4	N-1628-02	Gasket, Adapter Assy-Pre.	1
13	N-1629-01	Gasket, Atmospheric Chamber Cover	1
14	N-1624-01	Gasket, Bypass Valve	1
15	N-1627-01	Gasket, Clamping Ring	1
16	N-1623-01	Gasket, Con. Valve Cover	1
17	N-1622-01	Gasket, Filter Cover	1
64	541-N0105-01	Gasket, Float Valve	1
18	J-8024-01	Gasket, Inlet (Adapter)	1
19	N-1625-01	Gasket, Inlet (Separator)	1
20	N-1626-01	Gasket, Outlet (Separator)	1
—	E-9932-01	Gasket, Meter (not shown)	1
31	A-3237-02	Seal, Lip	1
33	A-2470-14	Seal, Square	1
36	KR-0420-01	Rotor Replacement kit for N-1071-01	1

BENNETT® 3700 Series
Drawing #18 Type 70 Pumping Unit 11/87
Models 3788, 3789 — Spec. 1002, 1003
Models 3725, 3727 — Spec. 1000



BENNETT® 3700 Series
Parts List #18 Type 70 Pumping Unit 9/91

KR03720
3720

Ref. No.	Part No.	Description	Qty.
		Pumping Unit-Type 70	
	J-1957-03	Standard Use N-1907-03S	1
	J-1957-02	H.D. Use N-1907-02S	1
	†J-1957-06	w/Hand Crank Use N-1907-07S	1
	†J-1957-07	H.D. w/Hand Crank Use N-1907-06S	1
	J-1957-13	(3727) Use N-1907-05	1
*	†J-9310-03	Use N-1907-09S	1
*	†J-9310-02	Use N-1907-02S	1
*	†J-9310-14	Use N-1907-12S	1
*	†J-9310-07	Use N-1907-06S	1
*	†J-9310-13	Use N-1907-05S	1
1	J-4817-01	Adaptor Assembly	1
	J-4817-02	Adaptor Assembly (3727)	1
2	J-1892-01	Adaptor, Control Valve	1
*	J-1892-02	Adaptor, Control Valve	1
3	J-8431-01	Adaptor, Inlet	1
4	J-8002-01	Adaptor, Inlet-Left (3725)	1
	J-8001-01	Adaptor, Inlet-Right (3725)	1
5	N-0472-01	Body, Pumping Unit	1
*	J-9270-01	Body, Pumping Unit-Air Elim.	1
6	132-P1000-01	Blade, Rotor Std.	6
	J-1877-01	Blade, Rotor-Plated H.D.	6
7	A-2549-01	Clamp, Tube	1
8	J-5575-01	Core Assy w/Valve Seat,	1
9	J-1891-02	Cover, Atmospheric Chamber	1
10	J-1881-01	Cover, Bypass Valve	1
11	J-1951-01	Cover, Control Valve	1
12	J-1862-01	Cover, Filter	1
13	135-N0110-01	Elbow, Tubing	1
14	J-5669-01	Filter Assembly (Strainer)	1
15	J-1861-01	Flange	1
16	J-1884-01	Gasket, Atmos. Chamber Cover	1
17	J-1866-01	Gasket, Bypass Valve Cover	1
18	J-9714-01	Gasket, Clamping Ring	1
19	J-1864-01	Gasket, Control Valve Cover	1
20	J-1865-01	Gasket, Filter Cover	1
21	J-1871-01	Gasket, Inlet - Separator	1
22	J-8024-01	Gasket, Inlet - Adaptor	1 or 2
23	J-1872-01	Gasket, Outlet - Separator	1
24	J-5632-01	Guide, Float	1
25	J-1873-01	Insert	1
26	J-2765-01	Insert, Filter	1
27	E-1691-08	Nipple, 3x1-1/2 N.P.T.	1
28	E-1691-09	Nipple, 4-3/4x1-1/2 N.P.T.	1 or 2
29	135-N0127-02	Nut, Tube	1
30	A-2190-04	Nut and Lock Washer	2
31	A-0199-01	Plug, Pipe 1/4	2
32	J-3586-01	Pulley	1
	J-7228-01	Pulley w/Hand Crank	1
33	J-3340-01	Ring, Clamping	1
34	A-2631-01	Ring, Retaining	1
35	A-2122-39	Ring, "0"	1
36	A-2122-32	Ring "0"	1
37	A-2942-11	Use J-5612-01 ..	1
38	J-2757-01	Rotor and Shaft Assembly	1
39	A-1995-01	Key	1

†For Export Only

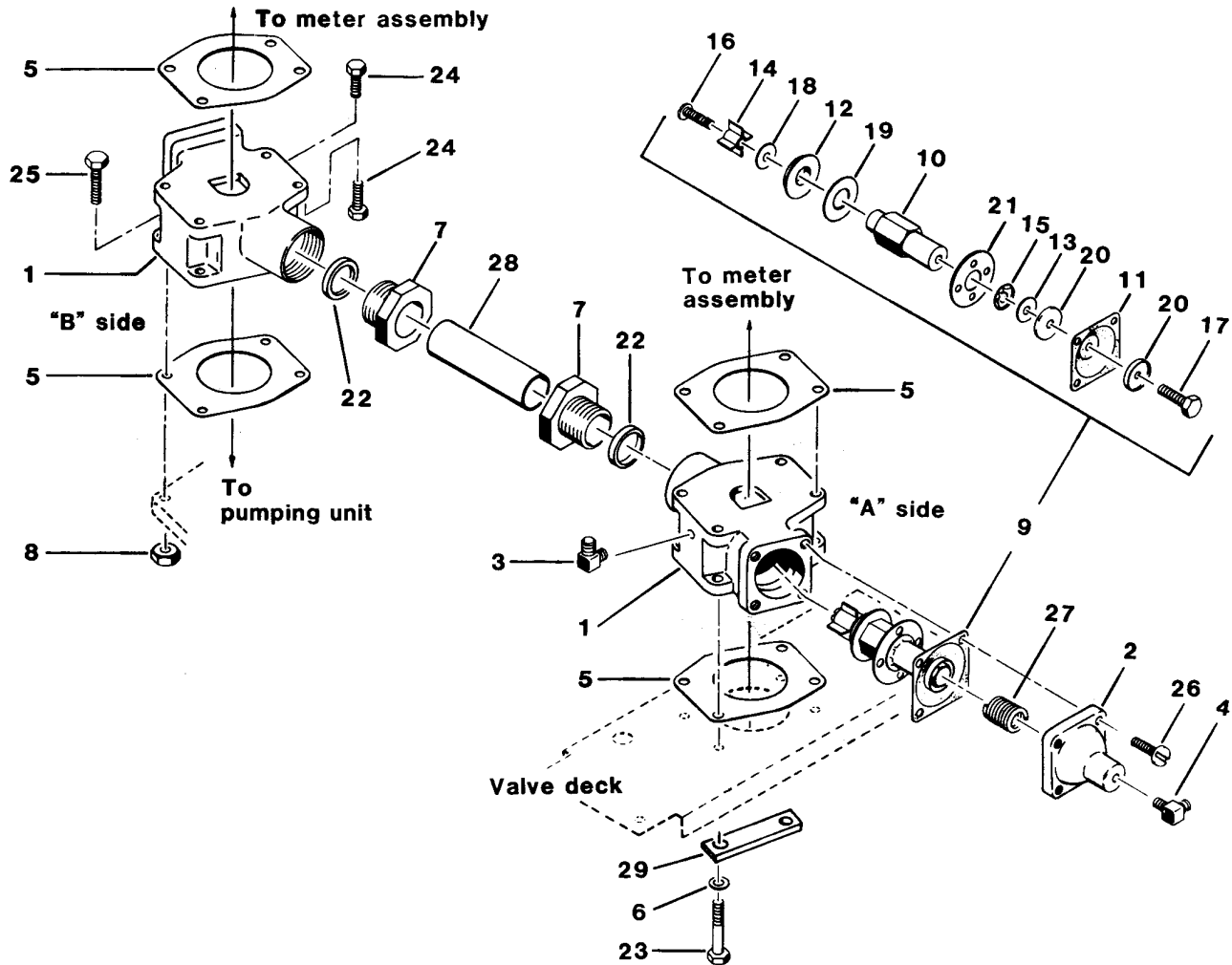
Ref. No.	Part No.	Description	Qty.
40	J-6827-01S	Rotor Support Assembly	1
		Assembly includes:	
41	H-3521-01	Retainer Seal	1
42	A-2122-42	Ring, "0"	1
43	A-0991-01	Screw, 8-32x5/16	3
44	A-3237-02	Seal, Lip	1
45	A-2470-14	Seal, Square	1
46	J-1887-01	Support, Rotor	1
47	A-1743-01	Screw, M8-1.25x15M	1
48	A-1069-01	Screw, 8-32x7/8	1
49	A-0156-01	Screw, 3/8-16x1/2	3 or 6
50	A-0835-01	Screw, 5/16-18x1 Hex	11
51	A-1476-01	Screw, 5/16-18x7/8	7
52	A-3988-01	Screw, 5/16-18x1 Fil.	2
53	A-1648-01	Screw, 5/16-18x2-3/4	4
54	A-3998-01	Screw, 1/4-20x7/8	4
55	A-2193-05	Screw & Lock Washer	10
56	J-1956-01	Separator Assembly	1
*	J-1956-02	Separator Assy-Air Elim.	1
57	J-1876-01	Seat, Float Valve	1
58	135-N0128-02	Sleeve, Tube	1
59	J-5067-01	Spring, Filter	1
60	J-9060-01	Spring, Bypass Valve	1
	J-9104-01	Spring, Bypass Valve-H.D.	1
61	E-0080-02	Spring, Control Valve	1
	J-3252-01	Spring, Control Valve-H.D.	1
62	J-1890-01	Stator	1
	J-3339-01	Stator-H.D.	1
63	J-6528-01	Tube Assembly, Vent	1
64	J-1874-01	Tube & Adaptor Assembly	1
*	†J-9274-01	Tube & Adaptor Assy-Air Elim.	1
65	A-3275-01	Union, 1-1/2	1 or 2
66	J-1863-01	Valve, Bypass	1
		Note: Order Kit (KR-332) to replace original Bypass seat insert with improved brass insert.	
67	J-5612-01	Valve Assy, Control w/relief valve	1
*	J-9299-01	Valve Assy, Con.-Air Elim.	1
68	H-8769-02	Valve Assy, Float Rectangle	1
		Assembly includes:	
69		Float	1
70	541-N0105-01	Gasket	1
(30)	A-2190-04	Nut and Lock Washer	1
71	A-1664-01	Screw, 1/4-20x5/8	2
72	A-2550-04	Screw, 8-32x2-1/4	1
73	A-2384-01	Screw	1
74	J-0697-02	Valve Assembly	1
75	A-0030-01	Washer, Lock 1/4	1
76	A-2566-01	Washer, Flat	1
77	J-2272-01	Valve Assy, Float-Round	1
		Assembly includes:	
78	J-2271-01	Bushing, Throttle	1
79	A-3272-01	Ring, Retaining	1
80	J-1955-01	Valve & Float Assembly	1
81	A-0640-01	Washer	1
82	A-0281-01	Washer	1
83	A-0003-01	Washer, Lock	1
84	A-0623-01	Washer, Lock	1

*Order this part for pumping units with the improved air elimination option.

**BENNETT® 3700 Series
Service Repair Kits for
Type 70 Pumping Unit 11/87**

Ref. No.	Part No.	Description	Qty.
	KR-366-01	Gasket Set	1
16	J-1884-01	Set includes: Gasket, Atmospheric Chamber Cover	1
17	J-1866-01	Gasket, Bypass Valve Cover	1
18	J-9714-01	Gasket, Clamping Ring	1
19	J-1864-01	Gasket, Con. Valve Cover	1
20	J-1865-01	Gasket, Filter Cover	1
70	541-N-0105-01	Gasket, Float Valve	1
21	J-1871-01	Gasket, Inlet-Separator	1
22	J-8024-01	Gasket, Inlet-Adaptor	1
23	J-1872-01	Gasket, Outlet-Separator	1
44	A-3237-02	Seal, Lip	1
45	A-2470-14	Seal, Square	1
	KR-332-01	Bypass Valve Seat Insert	
17	J-1866-01	Kit includes: Gasket	1
--	J-9783-02	Spring	1
--	J-9782-01	Valve, Bypass Insert	1
--	J-9781-01	Insert, (Brass)	1

BENNETT® 3700 Series
Parts List #19 Valve Assembly for 3727 9/91



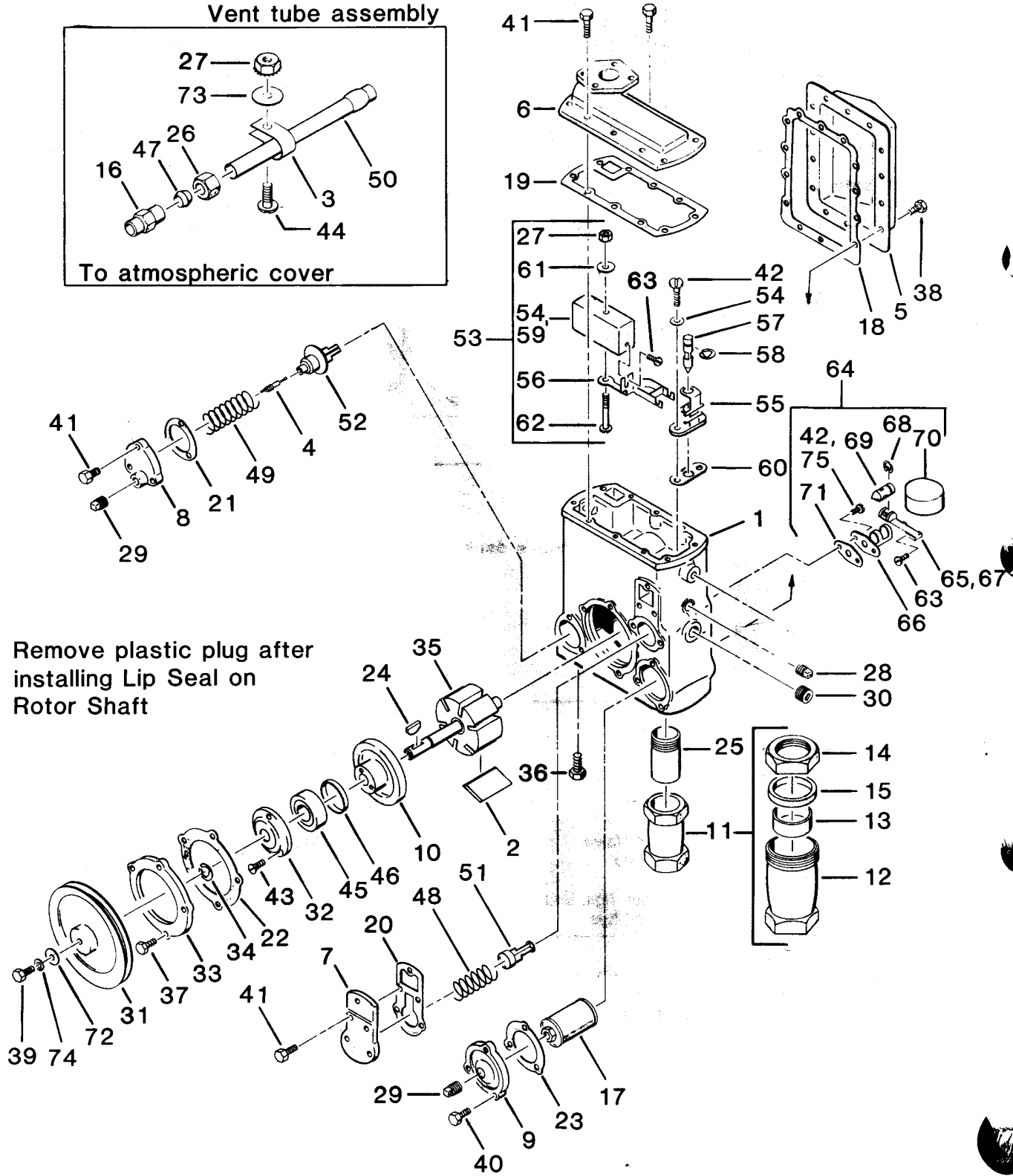
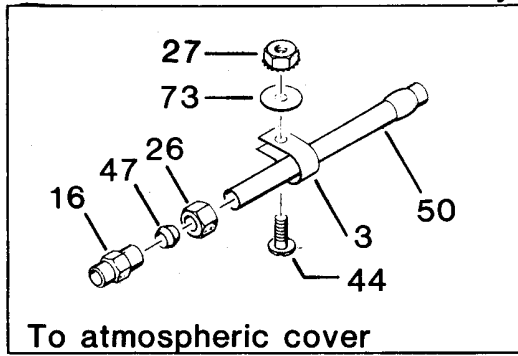
Ref. No.	Part No.	Description	Qty
1	H-5759-01	Valve Assembly, Left & Right	1
1	H-5762-01	Body, Valve	1
*2	H-3855-01	Cap, Diaphragm Valve	1
3	A-0609-01	Coupling w/comp. ftgs.	2
	A-5058-01	Elbow w/flared ftgs.	2
4	A-0453-01	Elbow, Tube w/comp. ftgs.	8
	A-5058-01	Elbow, Tube w/flared ftgs.	8
5	E-9932-01	Gasket	4
6	A-0003-01	Lockwasher	4
7	H-0001-01	Nut, Packing	3
8	A-2191-04	Nut, Hex 5/16-18	7
*9	N-3349-01	Piston Valve & Diaphragm	1
		Assembly includes:	
10		Body, Valve	1
11	H-3846-01	Diaphragm	1
12	N-0573-01	Disc, Valve	1
13	N-2874-01	Gasket	2
14	N-0955-01	Guide	1
15		Ring, Retaining	1

Ref. No.	Part No.	Description	Qty.
16		Screw	1
17		Screw, 10-24x1/2	1
18		Washer	1
19		Washer, Backup	1
20	N-3848-01	Washer, Diaphragm	2
21		Washer, Guide	1
22	A-2122-32	Ring, "O"	2
23	A-1648-01	Screw, 5/16-18x2 3/4	4
24	A-2244-02	Screw, Socket Cap 5/16-18x3/4	5
25	A-0304-01	Screw, Hex Cap 5/16-18x1-1/4	3
*26	A-1814-02	Screw, 10-24x5/8	4
*27	H-3847-01	Spring	1
28	J-3263-01	Tube, Connecting	1
29	J-3775-01	Support Bar-Valve Deck	2

*Included with H-5759-01 Valve Assembly

BENNETT® 3700 Series
Drawing #20 Type 40 Pumping Unit 11/87
Models 3788, 3789 — Spec. 1000, 1001

Vent tube assembly



Remove plastic plug after installing Lip Seal on Rotor Shaft

**BENNETT® 3700 Series
Parts List #20 Type 40 Pumping Unit 9/91**

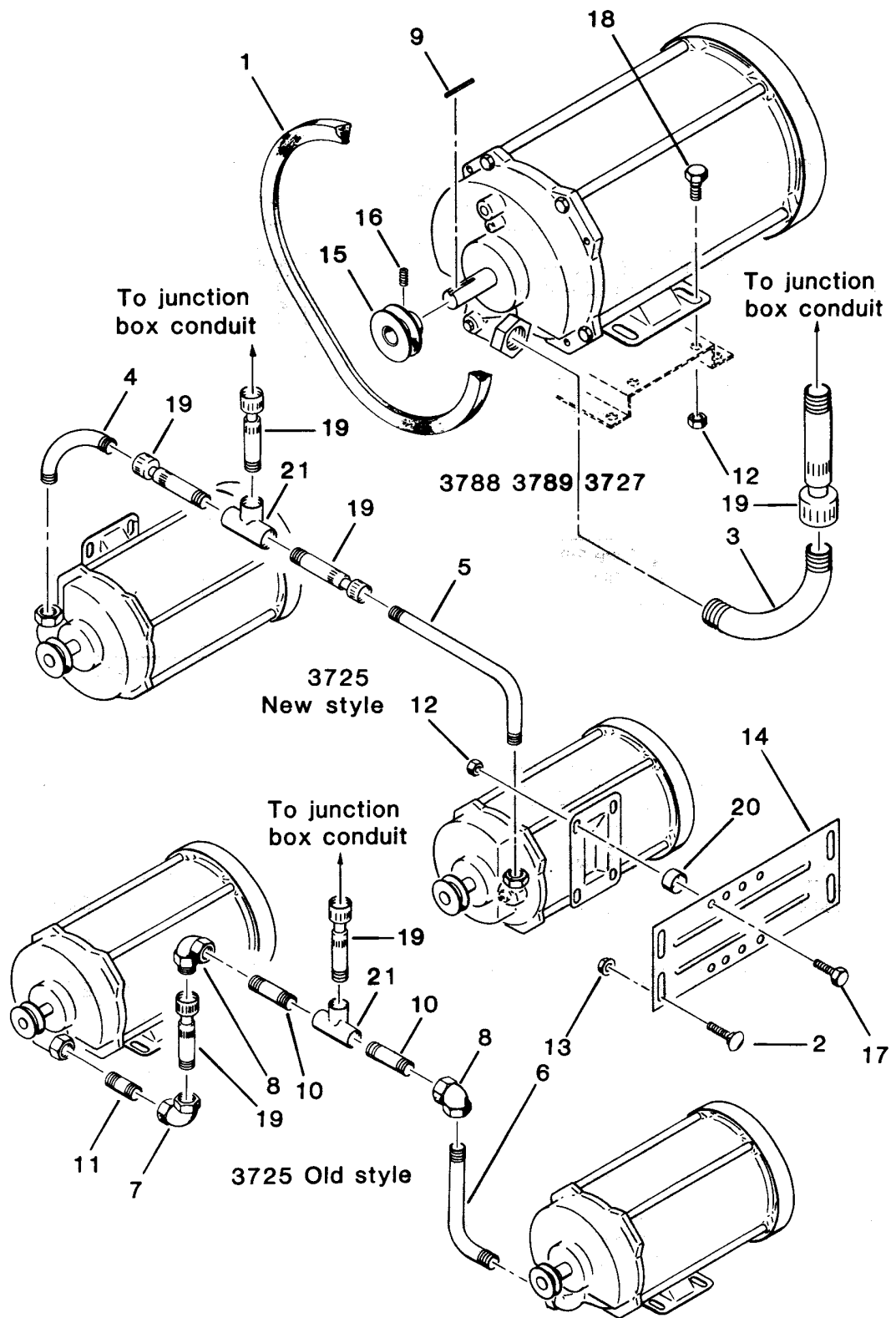
Ref. No.	Part No.	Description	Qty.
	NO LONGER AVAILABLE	Pumping Unit-Type 40 Standard H.D. H.D.-1/2 hp w/Filter	1 1 1 1
1	NO LONGER AVAILABLE	Body, Pumping Unit	1
2	132-P1000-01	Body, Pumping Unit-H.D.	1
3	541-N1005-01	Blade, Rotor	6
	A-2549-01	Blade, Rotor-H.D.,Plated	6
		Clamp, Tube	1
4	J-5575-01	Core, Control Valve	1
5	J-4845-01	Cover, Air Elim. Chamber	1
6	H-4012-02	Cover, Atmos. Chamber	1
7	H-7501-01	Cover, Bypass Valve (replaces H-3972-01)	1
8	H-3973-01	Cover, Control Valve	1
9	H-3853-01	Cover, Strainer	1
10	H-3522-01	Cover Plate, Rotor	1
11	966-N1002-01	Coupling, Dresser	1
12	966-N0103-01	Body	1
13	966-N0104-01	Gasket	1
14	966-N0102-01	Nut	1
15	966-N0105-01	Retainer	1
16	A-0786-01	Coupling, Tube 3/8x1/4	1
17	J-5669-01	Filter Assembly (Strainer)	1
	A-3119-01	Filter Assy for H-6260-01 Pump	1
18	541-N0100-01	Gasket, Air Elimination Chamber Cover	1
19	541-N0107-01	Gasket, Atmospheric Chamber Cover	1
20	541-N0124-01	Gasket, Bypass Valve Cover	1
21	541-N0125-01	Gasket, Con. Valve Cover	1
22	541-N0118-01	Gasket, Cover Plate	1
23	H-3850-01	Gasket, Strainer Cover	1
24	A-1995-01	Key	1
25	966-N0104-01	Nipple, Inlet 3-3/4x1-1/2	1
26	132-N0127-01	Nut, Tube	1
27	A-2190-04	Nut & Lockwasher, 8-32	1
28	A-0199-04	Plug, 1/4	1
29	A-0440-01	Plug, 1/8	2
30	A-0842-01	Plug, 3/4	1
31	J-3587-01	Pulley	1
32	H-3521-01	Retainer, Seal	1
33	541-N0117-01	Ring, Cover Plate	1
34	A-2361-01	Ring, Retaining	1
35	E-3769-03	Rotor and Shaft Assembly	1
	H-2492-02	Rotor and Shaft Assy-H.D.	1
36	A-0526-01	Screw, 3/8-16x3/4	4
37	A-2192-04	Screw, w/Lockwasher 3/8-16x7/8	5
38	A-0105-01	Screw, 5/16-18x1/2	14
39	A-1618-01	Screw, 5/16-18x5/8	1
40	A-1476-01	Screw, 5/16-18x7/8	3
41	A-0137-01	Screw, 5/16-18x3/4	18
42	A-1664-01	Screw, 1/4-20x5/8	4
43	A-0991-01	Screw, 8-32x5/16	3
44	A-2069-01	Screw, 8-32x7/8	1
45	A-3237-02	Seal, Lip	1
46	A-2470-14	Seal, Square	1

Ref. No.	Part No.	Description	Qty.
47	132-N0127-01	Sleeve, Tube	1
48	H-3669-01	Spring, Bypass Valve	1
	H-3670-01	Spring, Bypass Valve-H.D.	1
49	E-0080-01	Spring, Control Valve	1
50	H-4615-01	Tube Assembly, Vent	1
51	H-3894-01	Valve, Bypass	1
52	H-3895-01	Valve, Control Assembly	1
53	H-8769-01	Valve Assy, Atmos. Float Assembly includes: Valve Assembly	1 1
54	J-0697-01	Body	1
55	H-8765-01	Float Lever	1
56	H-8767-01	Valve	1
57	H-8764-01	"E" Ring	1
58	A-2013-01	Float	1
59	E-3773-01	Gasket	1
60	541-N0105-01	Washer, Flat 3/16	1
61	A-2566-01	Screw, 8-32x2-1/2	1
62	A-2550-04	Screw & Lockwasher, 8x1	1
63	A-2384-02	Nut & Lockwasher, 8-32	1
(27)	A-2190-04		1
64	H-8768-01	Valve Assembly, Float Assembly includes: Valve Assembly	1 1
65	J-0696-01	Body	1
66	H-8765-01	Float Lever	1
67	H-8763-01	"E" Ring	1
68	A-2013-01	Valve	1
69	H-8766-01	Float	1
70	E-3772-01	Gasket	1
71	541-N0105-01	Screw & Lockwasher, 3x1	1
(66)	A-2384-02		1
72	A-0281-01	Washer, Flat 5/16	1
73	A-0640-01	Washer, Flat #8	1
74	A-0003-01	Washer, Lock 5/16	1
75	A-0030-31	Washer, Lock 1/4	1

Service Repair Kit for Type 40 Pumping Unit 11/87

Ref. No.	Part No.	Description	Qty.
	KR-366-03	Gasket Kit	1
		Kit includes:	
18	541-N0100-01	Gasket, Air Elim. Cover	1
19	541-N0107-01	Gasket, Atmospheric Chamber Cover	1
20	541-N0124-01	Gasket, Bypass Valve Cover	1
21	541-N0125-01	Gasket, Control Valve Cover	1
22	541-N0118-01	Gasket, Cover Plate	1
71	541-N0105-01	Gasket, Float Valve	2
--	E-9932-01	Gasket, Meter (not shown)	1
23	H-3850-01	Gasket, Strainer Cover	1
45	A-2864-02	Seal, Lip	1
46	A-2470-14	Seal, Square	1
	KR-162-01	Replacement Kit for Rotor Cover Plate & Seal	1
		Kit includes:	
10	H-3522-01	Cover Plate, Rotor	1
32	H-3521-01	Retainer, Seal	1
45	A-2864-02	Seal, Lip	1
46	A-2470-14	Seal, Square	1
43	A-0991-01	Screw	3
	KR-165-01 Std	Kit to convert old metal bypass valve to plastic	1
	KR-165-02 H-D	Kit includes:	
7	H-7501-01	Cover, Bypass Valve	1
20	541-N0124-01	Gasket	1
40	A-1476-01	Screw, Hex Hd.	3
48	H-3669-01	Spring (Std.)	1
	H-3670-01	Spring, (H-D)	1
51	H-3894-01	Valve, Bypass	1

BENNETT® 3700 Series
 Drawing #21 Motor Assemblies 11/87



**BENNETT® 3700 Series
Parts List #21 Motor Assemblies 11/87**

Ref. No.	Part No.	Description	3 3	3	3
			7 7	7	7
			8 8	2	2
			8 9	7	5
	J-4515-01	Motor, 1/3 HP, 60 Cycle, 1 Phase 115 V/230 V	1	-	2
	H-9211-01	Motor, 3/4 HP, 60 Cycle, 1 Phase 115 V/230 V	1	1	2
	†H-9213-01	Motor, 1/3 HP, 50/60 Cy, 1 Phase 115 V/230 V	1	-	2
	†J-1264-02	Motor, 1/3 HP, 50/60 Cy, 3 Phase, 220V	1	-	2
	†J-1264-01	Motor, 1/3 HP, 50/60 Cy, 3 Phase, 380V	1	-	2
	†J-1272-01	Motor, 3/4 HP, 50 Cy, 3 Phase, 220V	1	1	2
	†J-1272-02	Motor, 1/2 HP, 50 Cy, 3 Phase, 380V	1	-	2
1	A-2160-19	Belt, "V" 33"	-	-	1
	A-2160-24	Belt, "V" 29" (3788, 89 if HD)	1	1	1
	A-2160-25	Belt, "V" 28"	1	-	-
2	A-2125-02	Bolt, Carriage	-	-	8
3	J-7546-01	Conduit, Motor	1	1	-
*4	J-9906-02	Conduit, Motor	-	-	1
*5	J-9906-03	Conduit, Motor	-	-	1
**6	A-8382-01	Conduit, Motor	-	-	1
**7	J-5551-01	Elbow, Female	-	-	1
**8	J-5551-02	Elbow, Male	-	-	2
9	A-2431-01	Key	1	1	2
**10	156-E-121-13	Nipple, 1-1/2"	-	-	2
**11	156-E-121-49	Nipple, 3-1/8"	-	-	1
12	A-3986-01	Nut, Flanged	4	4	8
13	A-2191-04	Nut	-	-	4
14	J-9904-01	Plate, Motor Mounting	-	-	2
15	J-5869-01	Pulley, 60 Cy, Std.	1	-	2
	A-4244-01	Pulley, 60 Cy, Heavy Duty	1	1	2
	†H-2204-01	Pulley, 50 Cy, Std.	1	-	2
	†H-2204-02	Pulley, 50 Cy, Heavy Duty	1	1	2
***16	A-1924-01	Screw, Set 1/4-20x1/2	1	-	2
	A-3312-01	Screw, Set 5/16-18	1	-	2
17	A-0835-01	Screw	-	-	4
18	A-1743-01	Screw	4	4	-
19	H-0333-01	Slipjoint Assembly	1	1	3
20	N-5602-01	Spacer ("B" Side only)	-	-	4
21	J-7805-01	TEE, Conduit	-	-	1

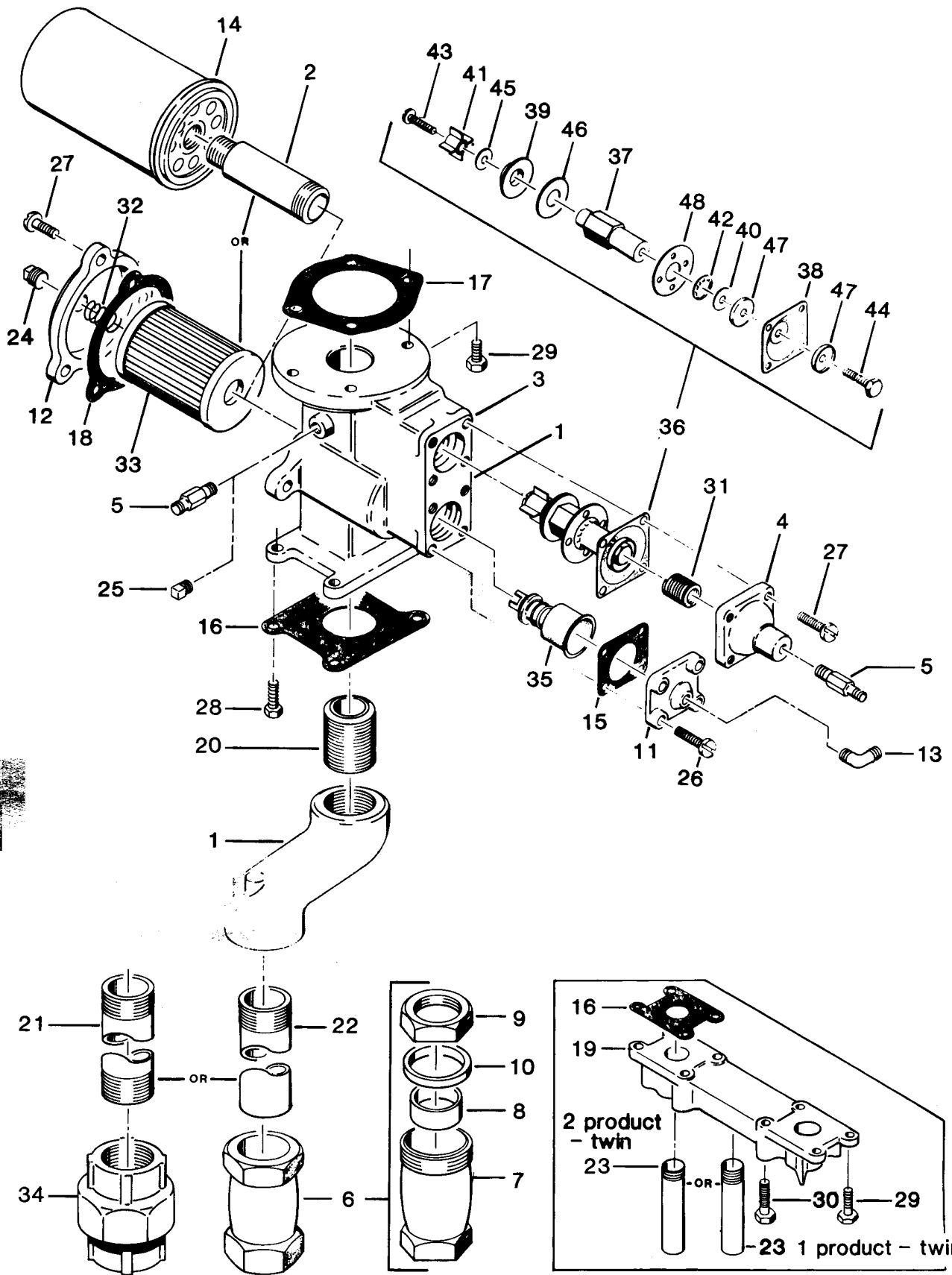
*Model 3725 Dispensers with Type 70 Pumping Units require two (2) Conduits (J-9906-01) in place of Items 4 and 5.

**Required for older Model 3725.

***Check size before ordering.

†For Export Only

BENNETT® 3700 Series
 Drawing #22 Control Valve Assembly for
 All Remote Dispensers 9/91



**BENNETT® 3700 Series
Parts List #22 Control Valve Assembly for
All Remote Dispensers 9/91**

Ref. No.	Part No.	Description	Qty.
1	H-9147-01	Control Valve & Filter Assembly	1
	H-9147-02	Standard	1
	H-9147-03	Wix-Spin on	1
	H-9147-16	Paper Water Detection - Spin on	1
1a	H-4579-01	Adaptor	1
2	H-3852-01	Adaptor, Filter	1
3	H-9146-03	Body, Std.	1
	H-9146-02	Body, Wix/Water Detect.	1
4	H-3855-01	Cap, Diaphragm Valve	1
5	----	See Page 47-48	2or4
* 6	966-N-1002-01	Coupling, Dresser	1
7	966-N-0103-01	Body	1
8	966-N-0104-01	Gasket	2
9	966-M-0102-01	Nut, Octagonal End	2
10	966-N-0105-01	Retainer, Gasket	2
11	H-3868-01	Cover, Check Valve	1
12	H-3853-01	Cover, Strainer	1
13	----	See Page 47-48	1or2
14	A-2705-01	Filter-Wix, GF-2	1
	A-5232-01	Filter-Water Detection	1
15	H-3849-01	Gasket, Check Valve	1
16	E-8789-01	Gasket, Inlet	1or2
		Gasket, Manifold, 2 Product-Twin	2
17	E-9932-01	Gasket, Outlet	2or4
18	H-3850-01	Gasket, Strainer Cover	1
19	H-4584-02	Manifold, 2 Product-Twin	1
	H-4584-01	Manifold, 1 Product-Twin	1
20	A-2737-03	Nipple, 2-1/2x1-1/2 N.P.T.	1
21	E-1691-11	Nipple, 5-1/2x1-1/2 N.P.T.	1
*22	966-N-106-10	Nipple, 6-1/4x1-1/2 N.P.T.	1
23	E-1691-16	Nipple, 9-1/4x1-1/2 N.P.T.	2
24	A-0199-01	Plug, 1/8-Std.	1
25	A-0440-01	Plug, 1/8-Spec. 1000	2
			1
26	A-1814-02	Screw, 10-24x5/8	8

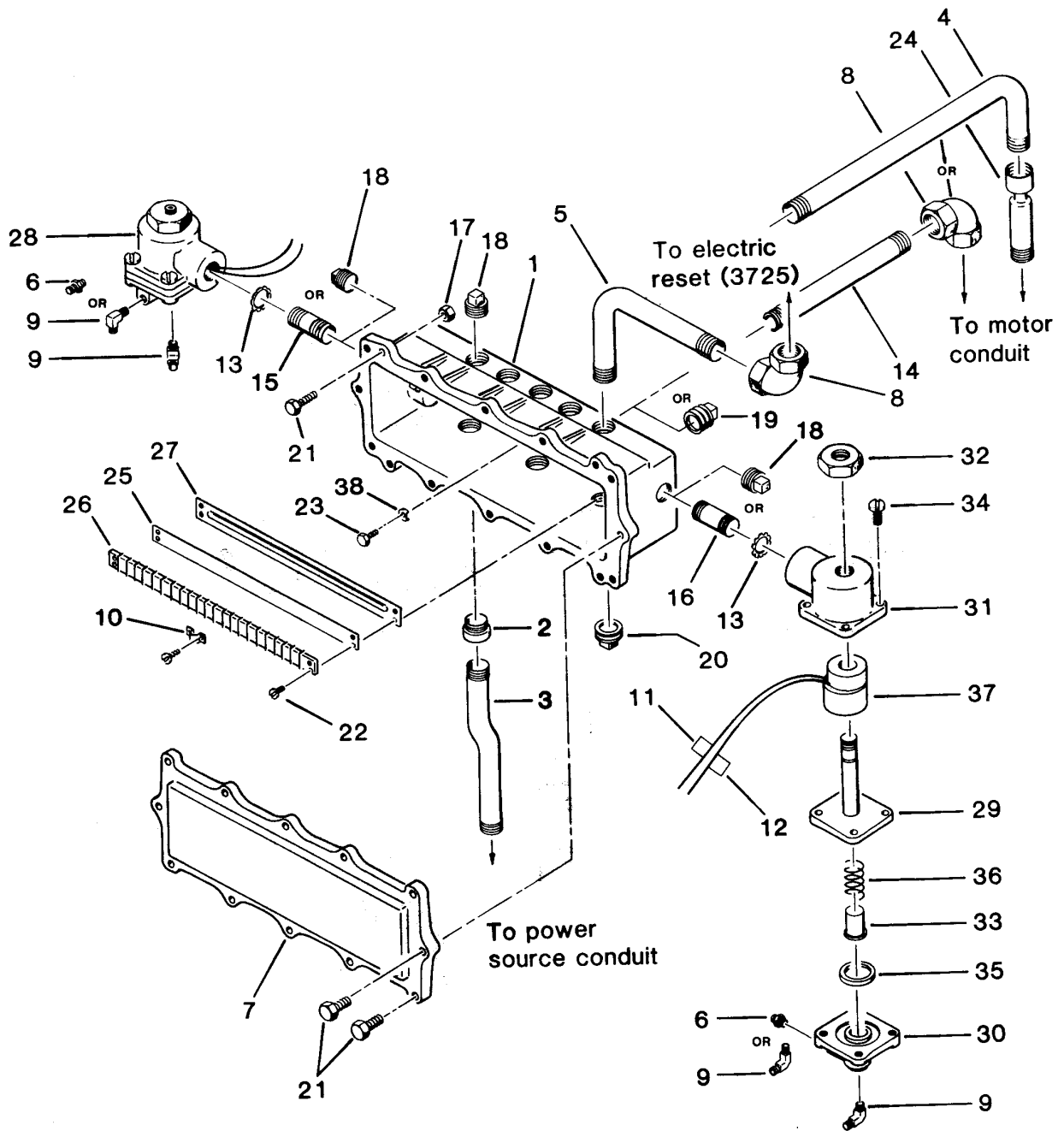
Ref. No.	Part No.	Description	Qty.
27	A-2552-04	Screw, Hex	3
28	A-0304-01	Screw, 5/16-18	4
29	A-0835-01	Screw, 5/16-18x1 (Twin)	12
		(Single)	4
30	A-1143-01	Screw, 5/16-18x2-1/2 (Single only)	4
31	H-3847-01	Spring	1
32	J-5067-01	Spring, Strainer	1
33	J-5669-01	Strainer Metal Mesh Nylon	1
		Paper Filter	1
34	A-3119-01	Union, 1-1/2	1
		N333501 Strainer, metal	1
*35	H-9142-01	Valve Assy, Check (Std.) Assembly includes: Cage Disc & Stem Assy, Valve Seat & Core, Valve Valve, Relief Spring	1 1 1 1 1 1
36	N-3349-01	★ Valve & Diaphragm Assy Assembly includes:	1
37		Body, Valve	1
38	H-3846-01	Diaphragm	1
39	N-0573-01	Disc, Valve	1
40	N-2874-01	Gasket	2
41	N-0955-01	Guide	1
42		Ring, Retaining	1
43		Screw	1
44		Screw, 10-24x1/2	1
45		Washer	1
46		Washer, Backup	1
47	N-3848-01	Washer, Diaphragm	2
48		Washer, Guide	1

*Use Nipple 966-N-106-10 with Dresser Coupling only. Use Nipple E-1691-03 with Ground Joint Union. Use Nipple E-1698-03 when replacing a Dresser Coupling with a Ground Union Joint.

**Valve & Diaphragm Assembly N-3349-01 replaces Part No. H-6342-01.

★ Order KR Kit 383 for Alcohol Conversion of Remote Dispensers.

BENNETT® 3700 Series
Drawing #23 Junction Box Assembly-Large 11/88



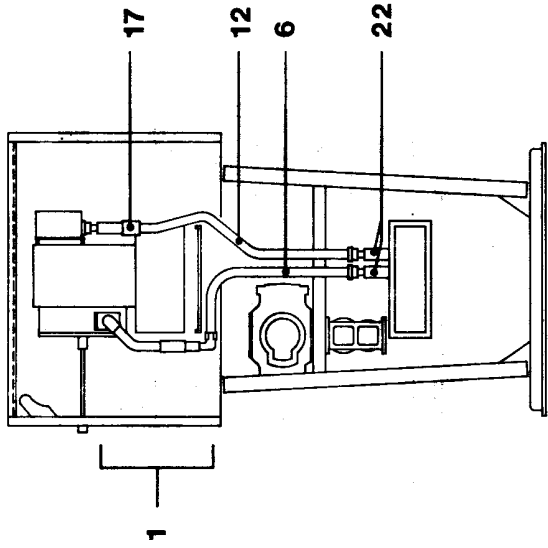
NOTE: See Parts List 23a for Conduit Connections.

**BENNETT® 3700 Series
Parts List #23 Junction Box Assembly-Large 9/91**

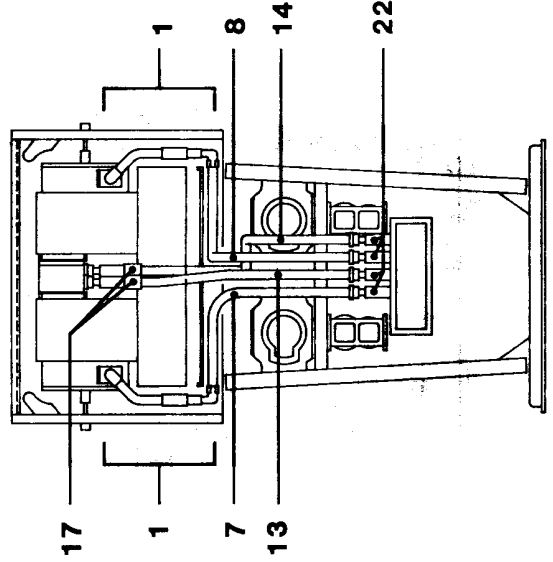
Ref. No.	Part No.	Description	3 3	3 3	3 3	3	3
			7 7	7 7	7 7	7	7
			8 8	8 9	2 2	2	2
			8 9	2 2	2 4	5	7
1	J-5157-05	Box, Junction	1	1	1	1	1
2	A-4191-01	Bushing	1	-	-	1	1
3	N-3363-01	Conduit	1	-	-	1	1
4	N-3169-02	Conduit	-	-	-	1	-
5	N-0594-01	Conduit, Elec. Reset	-	-	-	1	1
6	A-0609-01	Coupling (comp. ftgs.)	-	1	2	-	-
7	J-5158-01	Cover, Junction Box	1	1	1	1	1
8	J-5551-01	Elbow (if Electric Reset) (if Cam Ac)	1	-	-	1	2
			1	-	-	-	1
9	A-0453-01	Elbow, Tube (comp. ftgs.)	-	1	2	-	4
	A-5058-01	Elbow, Tube (flared ftgs.)	-	-	-	-	-
*10	A-3855-01	Jumper - Elec. Reset	1	1	1	1	1
11	H-8989-01	Label (HI)-Sol. Lead	1	-	-	-	-
12	H-8990-01	Label (LO)-Sol. Lead	1	-	-	-	-
13	A-2462-01	Locknut	-	2	4	-	4
14	156-E-121-22	Nipple	1	-	-	-	1
15	156-E-121-33	Nipple	-	-	-	-	1
16	156-E-121-49	Nipple	-	-	-	-	1
17	A-2190-10	Nut/Lockwasher, 1/4-20	2	2	2	2	2
18	A-0179-01	Plug, 1/2	6	6	4	5	3
19	A-2836-01	Plug, Closeup, 1/2	-	1	1	-	-
20	A-0824-01	Plug, Pipe	1	1	1	1	1
21	A-0075-01	Screw, 1/4-20	14	14	14	14	14
22	A-4482-01	Screw, Term. Strip	4	4	4	4	4
23	A-4483-01	Screw, Ground	1	1	1	1	1
24	H-0333-01	Slipjoint	-	-	-	1	-
*25	A-4025-01	Strip, Marker	1	1	1	1	1
*26	A-4119-01	Strip, Terminal	1	1	1	1	1
*27	J-7521-01	Support, Terminal	1	1	1	1	1
28	J-2950-01	Valve Assembly, Solenoid w/compression fittings - old	-	-	-	-	1
	J-2950-03	-115V } Use J-2950-06	-	1	1	-	-
	J-2950-04	-115V } Use J-2950-06	-	-	1	-	1
	†J-2950-10	-230V	-	-	-	-	1
	†J-2950-15	-230V } Use J-2950-10	-	1	1	-	-
	†J-2950-16	-230V } Use J-2950-10	-	-	1	-	1
		Valve Assembly, Solenoid w/flared fittings - new					
	N-5305-01	-115V } Must use	-	-	-	-	1
	N-5305-03	-115V } A-5372-01	-	1	1	-	-
	N-5305-04	-115V } coupling	-	-	1	-	1
	†N-5305-10	-230V } Use N-5305-06	-	-	-	-	1
	†N-5305-15	-230V } Use N-5305-10	-	1	1	-	-
	†N-5305-16	-230V } Use N-5305-10	-	-	1	-	1
29	J-2862-01	Armature Support (comp.)	-	1	1	-	1
	J-2862-02	Armature Support (flared)	-	1	1	-	1
30	H-8509-01	Body, Valve	-	1	1	-	1
31	H-3579-01	Cover	-	1	1	-	1
32	H-3582-01	Nut	-	1	1	-	1
33	J-2863-01	Plunger Assembly	-	1	1	-	1
34	A-2233-07	Screw	-	4	4	-	4
35	A-2470-06	Seal	-	1	1	-	1
36	J-2859-01	Spring	-	1	1	-	1
37	J-0763-01	Solenoid Coil, 18" leads	-	1	1	-	1
38	A-4699-01	Washer, Cupped	1	1	1	1	1

*For models with Electric Reset.

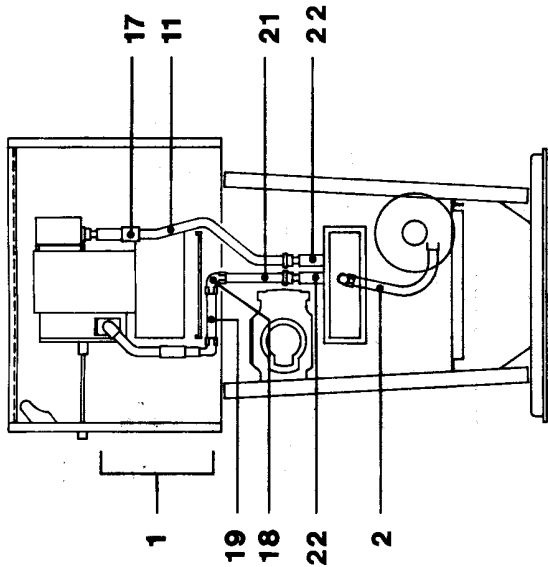
†For Exports Only.



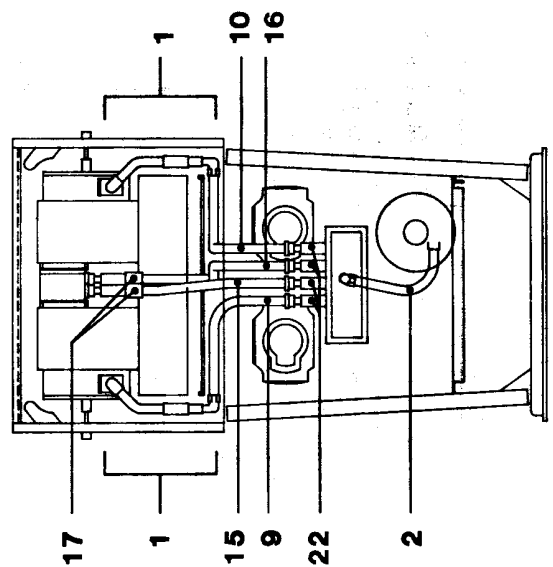
3782 - 3792



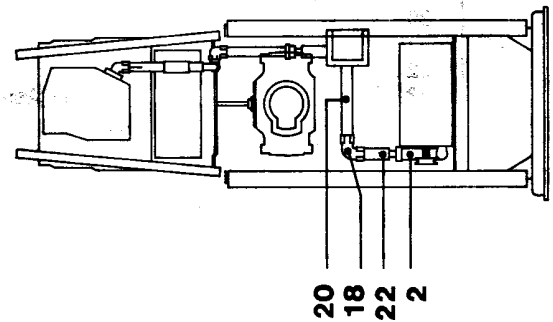
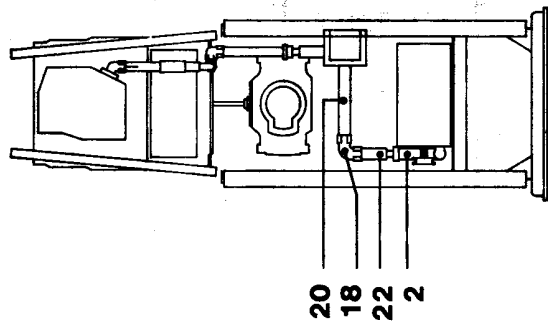
3722 - 3724

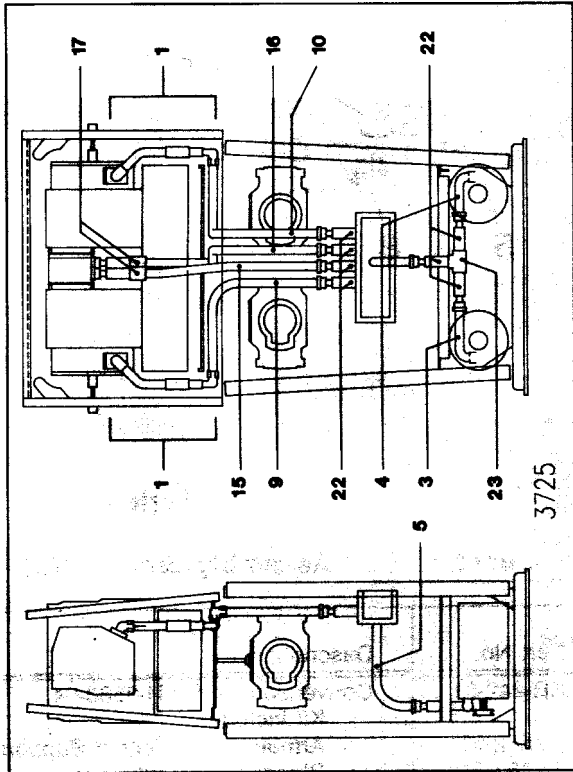


3788 - 3789



3727



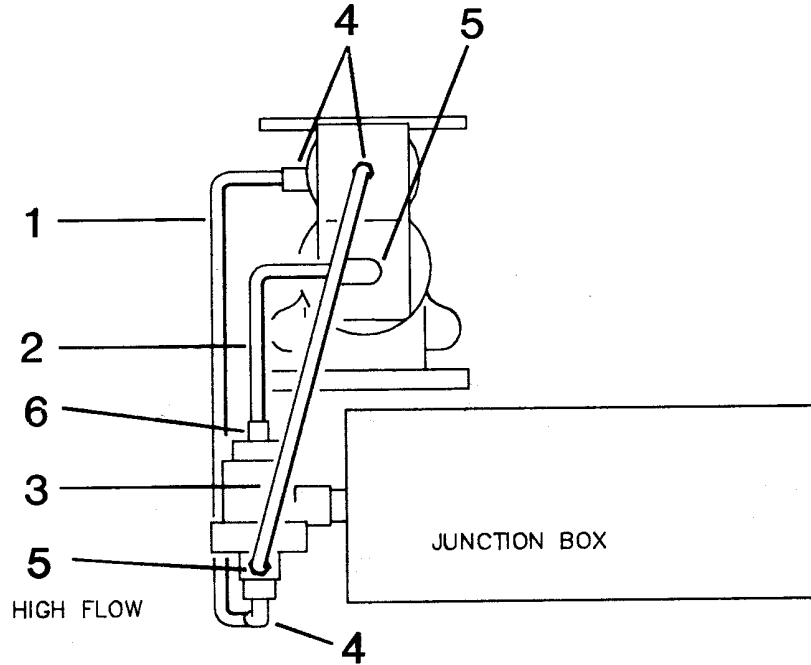


Ref. No.	Part No.	Description	33	77	89	22	24	5	7	3	7	2	2	7
1	J-7419-05	Conduit & Adaptor Assy	1	-	-	1	-	-	-	-	-	-	-	-
2	J-7419-10	Conduit & Adaptor Assy	1	-	-	-	-	-	-	-	-	-	-	-
3	J-7546-01	Conduit, Junction Box to Motor	-	-	-	-	-	-	-	-	-	-	-	-
4	J-9906-02	Conduit, Junction Box to Motor	-	-	-	-	-	-	-	-	-	-	-	-
5	N-3169-02	Conduit, Junction Box to Motor	-	-	-	-	-	-	-	-	-	-	-	-
6	J-7410-01	Conduit, Electric Reset to Junction Box "A" Side	-	-	-	1	-	-	-	-	-	-	-	-
7	H-8161-01	Conduit, Electric Reset to Junction Box "B" Side	-	-	-	-	-	-	-	-	-	-	-	-
8	H-8166-01	Conduit, Electric Reset to Junction Box "B" Side	-	-	-	-	-	-	-	-	-	-	-	-
9	J-7547-01	Conduit, Electric Reset to Junction Box "A" Side	-	-	-	-	-	-	-	-	-	-	-	-
10	N-0594-01	Conduit, Electric Reset to Junction Box "B" Side	-	-	-	-	-	-	-	-	-	-	-	-
11	J-7552-01	Conduit, Pulsar to Junction Box	1	-	-	-	-	-	-	-	-	-	-	-
12	J-7409-01	Conduit, Pulsar to Junction Box	-	-	-	-	-	-	-	-	-	-	-	-
13	J-7375-01	Conduit, Pulsar to Junction Box	-	-	-	-	-	-	-	-	-	-	-	-
14	J-7378-01	Conduit, Pulsar to Junction Box	-	-	-	-	-	-	-	-	-	-	-	-
15	J-7594-01	Conduit, Pulsar to Junction Box	-	-	-	-	-	-	-	-	-	-	-	-
16	J-7554-01	Conduit, Pulsar to Junction Box	-	-	-	-	-	-	-	-	-	-	-	-
17	A-2838-01	Coupling	1	-	-	1	-	-	-	-	-	-	-	-
18	J-5551-01	Elbow	2	-	-	-	-	-	-	-	-	-	-	-
19	156-E-121-52	Nipple	1	-	-	-	-	-	-	-	-	-	-	-
20	156-E-121-22	Nipple	1	-	-	-	-	-	-	-	-	-	-	-
21	156-E-121-30	Nipple	1	-	-	-	-	-	-	-	-	-	-	-
22	H-0333-01	Slipjoint	3	-	-	2	-	-	-	-	-	-	-	-
23	J-7805-01	Tee, Conduit	-	-	-	-	-	-	-	-	-	-	-	-

See page 20 for Cam-Ac conduit

BENNETT® 3700 Series
Parts List #25 Tubing Schematic - Models 3782 & 3792 9/91

STANDARD 3782, 3792



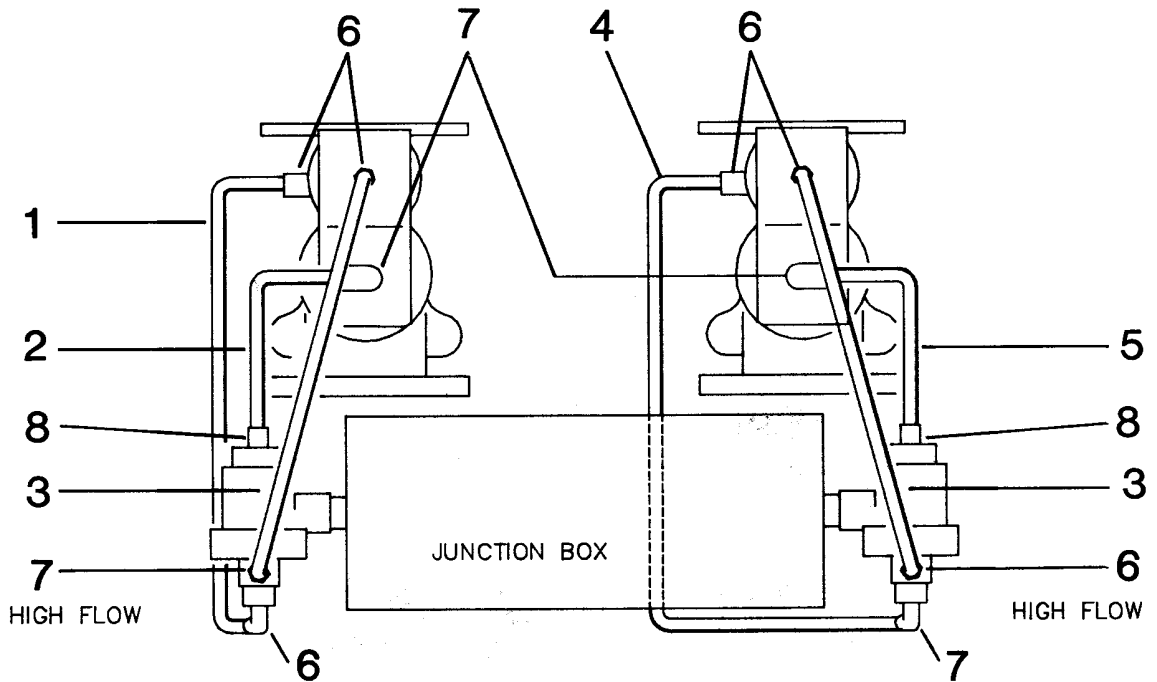
Hard Tubing w/Compression Fittings
Spec. 1000 - 1004

Ref. No.	Part No.	Description	Qty.
1	J-7369-01	Tubing Assembly	1
2	J-9786-01	Tubing Assembly	1
3	J-7373-01	Tubing Assembly	1
4	A-0609-01	Coupling (Standard)	2
5	A-0453-01	Elbow	1

Soft Tubing w/Flared Fittings
Spec. 1005 & 1006

Ref. No.	Part No.	Description	Qty.
1	N-2808-05	Tubing Assy - 24"	1
2	N-2808-01	Tubing Assy - 6-1/2"	1
3	N-2808-10	Tubing Assy - 12"	1
4	A-5058-01	Elbow (Standard)	2
5	A-5058-01	Elbow	1
6	A-5372-01	Connector - Female	1

STANDARD 3722, 3724



Hard Tubing w/Compression Fittings
 Spec. 1000

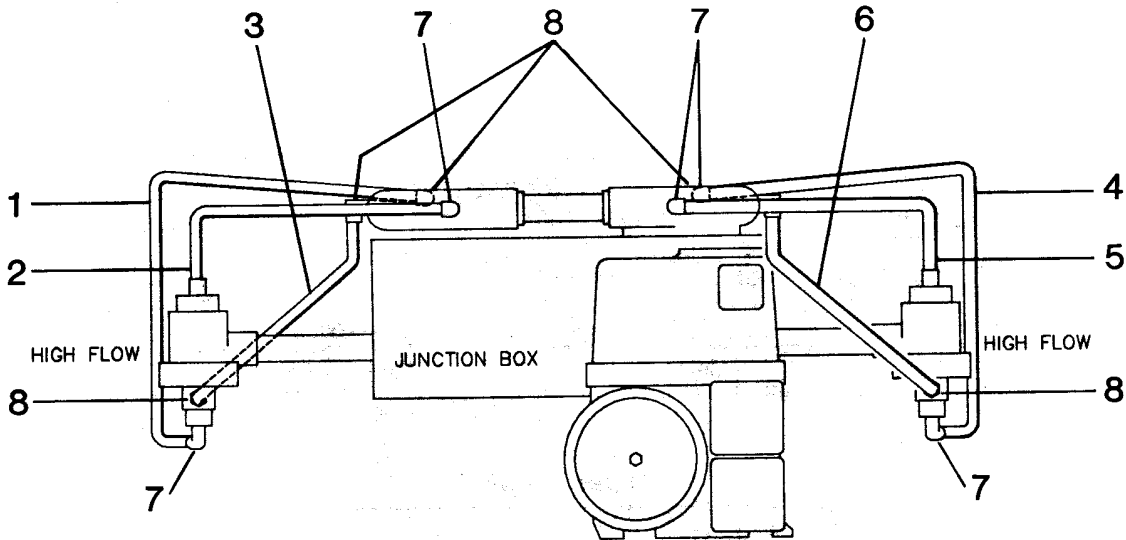
Ref. No.	Part No.	Description	Qty.
1	J-7369-01	Tubing Assembly	1
2	J-9786-01	Tubing Assembly	1
3	J-7373-01	Tubing Assembly	2
4	N-0236-01	Tubing Assembly	1
5	J-9786-02	Tubing Assembly	1
6	A-0609-01	Coupling (Standard)	4
7	A-0453-01	Elbow	2

Soft Tubing w/Flared Fittings
 Spec. 1002

Ref. No.	Part No.	Description	Qty.
1	N-2808-05	Tubing Assy - 24"	1
2	N-2808-01	Tubing Assy - 6-1/2"	1
3	N-2808-10	Tubing Assy - 12"	2
4	N-2808-11	Tubing Assy - 16"	1
5	N-2808-01	Tubing Assy - 6-1/2"	1
6	A-5058-01	Elbow (Standard)	4
7	A-5058-01	Elbow	2
8	A-5372-01	Connector - Female	2

BENNETT® 3700 Series
Parts List #27 Hard Tubing Schematic w/Compression
Fittings for Model 3727 9/91

STANDARD 3727, COMPRESSION FITTINGS

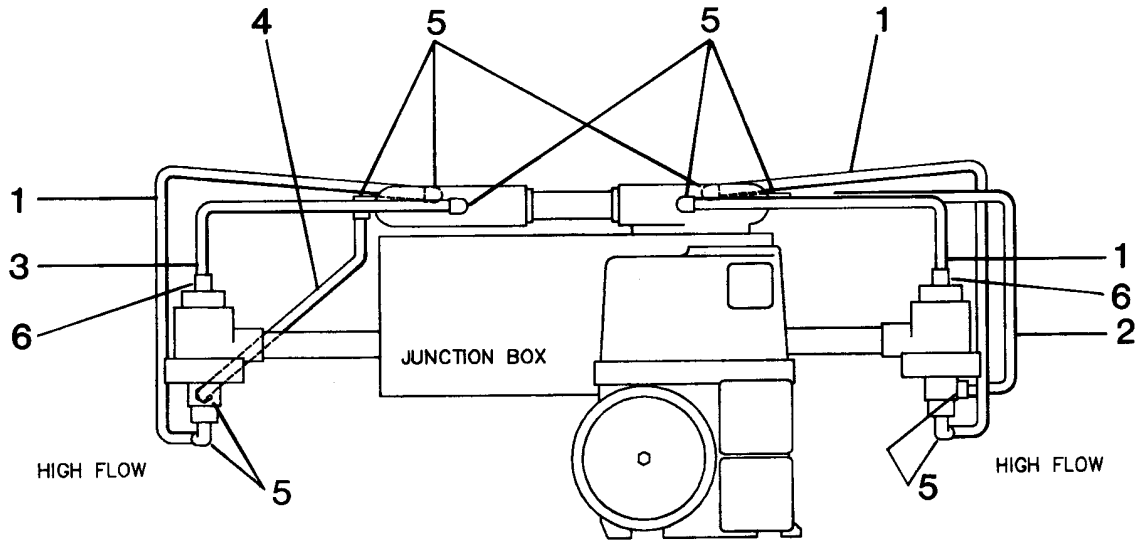


Spec. 1000 - 1001

Ref. No.	Part No.	Description	Qty.
1	J-6505-02	Tubing Assembly	1
2	J-6501-02	Tubing Assembly	1
3	J-6509-02	Tubing Assembly	1
4	J-6504-02	Tubing Assembly	1
5	J-6500-02	Tubing Assembly	1
6	J-6508-02	Tubing Assembly	1
7	A-0453-01	Elbow	3
8	A-0609-01	Connector, Male	3

BENNETT® 3700 Series
Parts List #28 Soft Tubing Schematic w/Flared
Fittings for Model 3727 9/91

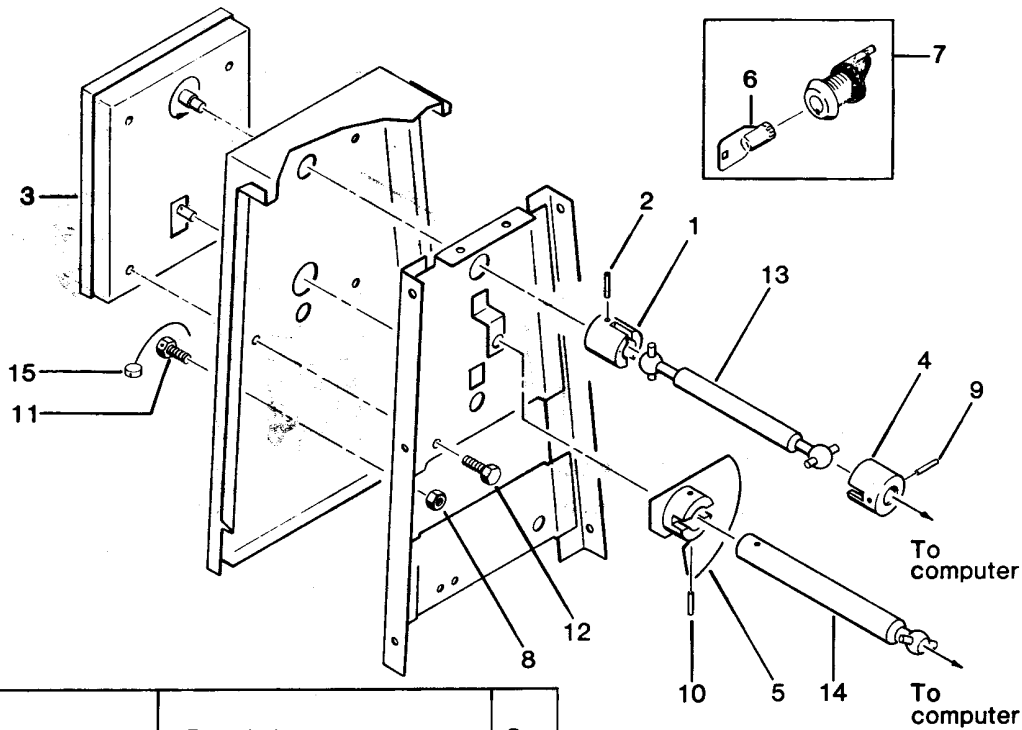
STANDARD 3727, FLARED FITTINGS



Spec. 1002

Ref. No.	Part No.	Description	Qty.
1	N-2808-10	Tubing Assembly - 12"	3
2	N-2808-11	Tubing Assembly - 16'	1
3	N-2808-01	Tubing Assembly - 6-1/2"	1
4	N-2808-05	Tubing Assembly - 24"	1
5	A-5058-01	Elbow, Male	10
6	A-5372-01	Connector, Female	2

BENNETT® 3700 Series
Parts List #29 Keytrol Assembly NCC 11/88



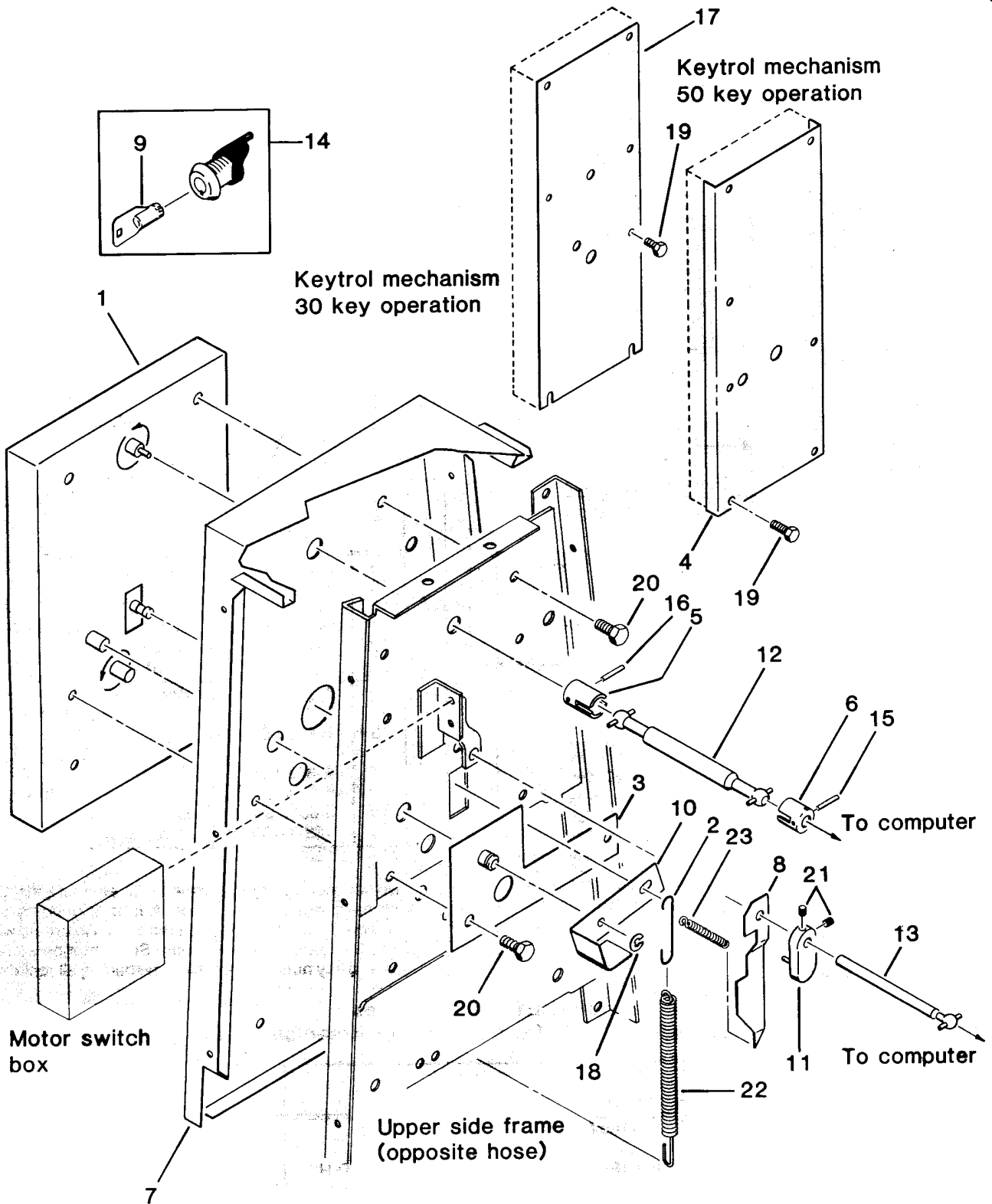
Ref. No.	Part No.	Description	Qty.
	H-7043-01	Keytrol & Coupling Assy - 6 Key	1
	H-7043-03	-10 Key	1
	H-7043-04	-20 Key	1
	H-7043-05	-30 Key	1
	H-7043-06	-40 Key	1
	H-7043-07	-50 Key	1
	H-7043-08	-60 Key	1
1	H-8057-01	Assembly includes: Coupling	1
2	A-2947-02	Pin	1
3	J-6815-01	Keytrol Unit - 6 Key	1
	J-6816-01	Keytrol Unit -10 Key	1
	J-6817-01	Keytrol Unit -20 Key	1
	J-6818-01	Keytrol Unit -30 Key	1
	J-6869-01	Keytrol Unit -40 Key	1
	J-6820-01	Keytrol Unit -50 Key	1
	J-6970-01	Keytrol Unit -60 Key	1
4	H-8058-01	Coupling, Computer Shaft	1
5	J-6808-01	Interlock and Hub Assy	1
6	J-9992-01	Key (only)	1
*7	J-9993-01	Lock & Key Assembly (L.H. or R.H.)	1

Ref. No.	Part No.	Description	Qty.
8	A-2190-08	Nut, Seal 10-32	8
9	A-2847-01	Pin, 5/64x1/2	1
10	A-2941-04	Pin, 3/32x5/8	1
11	A-2290-01	Screw, Seal 10-32x3/8	8
12	A-2195-01	Screw, 1/4-20x5/8 (20 Key)	4
	A-2195-03	Screw, 1/4-20x5/8 (6, 10, 30, 40, 50, 60 Key)	4
13	E-8129-03	Shaft, Universal (40, 50, 60 Key)	1
	E-8129-05	Shaft, Universal (6, 10, 20, 30 Key)	1
14	J-6807-01	Universal Link	1
15	132-X-1001-01	Wire, Seal	4

* Two service keys are furnished with each original assembly and with each replacement order. A letter signed by an authorized manager must accompany all reorders. No orders will be honored without a letter of authorization. Serial numbers of each keylock unit and key number must be furnished on all replacement orders.

BENNETT® 3700 Series
Service Repair Kits for NCC Keytrol Assembly 11/88

Ref. No.	Part No.	Description	Qty.
	KR-180-01	Field Conversion to include Keytrol	1
	KR-188-05	Totalizer & Lock Kit-R.H.	1
	KR-188-06	Totalizer & Lock Kit-L.H.	1
	KR-272-01	Kit for replacing Keytrol Motor Lever on pumps without Bracket & Assembly (J-4363)	1



**BENNETT® 3700 Series
Parts List #30 Keytrol Assembly (Wilson) 11/87**

Ref. No.	Part No.	Description	Qty.
* 1	H-7935-01	Keytrol Assembly	1
	H-7935-02	6 Key	1
	H-7935-03	10 Key	1
	H-7935-09	20 Key	1
	H-7935-10	30 Key	1
	H-7935-10	50 Key	1
2	H-8750-01	Anchor, Spring	1
**3	J-4363-01	Bracket and Pin Assy	1
4	J-5200-01	Channel & Strip Assy, Support (50 Key only)	1
5	H-8057-01	Coupling	1
6	H-8058-01	Coupling	1
7	H-8064-01	Housing Upper	1
	H-8064-01	6 & 10 Key	1
	H-8064-02	20, 30 & 50 Key	1
	H-8064-03	6 & 10 Key w/cable hose retraction	1
	H-8064-04	20, 30 & 50 Key w/cable hose retraction	1

Ref. No.	Part No.	Description	Qty.
***8	H-8054-01	Interlock Assembly	1
9	A-3104-01	Key (only)	1
10	H-8060-01	Lever, Motor Switch	1
11	H-8055-01	Lever Assy, Interlock Rel	1
12	H-8129-03	Link Assy, Universal	1
13	E-7506-04	Link & Pin Assy, Universal	1
14	A-3105-01	Lock & Key Assembly R.H.	1
	A-3105-01	Lock & Key Assembly L.H.	1
15	A-2847-01	Pin, 5/64x1/2	1
16	A-2947-02	Pin, 3/64x1/2	1
17	J-5199-01	Plate & Strip Assy, Cover (30 Key only)	1
18	A-2013-01	Ring, Retaining	1
19	A-2195-02	Screw, 1/4-20x3/8 (30 Key)	2
		Screw, 1/4-20x3/8 (50 Key)	6
20	H-8064-04	Screw, 1/4-20x5/8	6
21	A-2777-01	Screw, 10-32x3/16 Set	2
22	H-8751-01	Spring	1
23	H-9261-01	Spring	1

* Two service keys are furnished with each original assembly and with each replacement order. A letter signed by an authorized manager must accompany all reorders. No orders will be honored without a letter of authorization. Serial numbers of each keylock unit and key number must be furnished on all replacement orders.

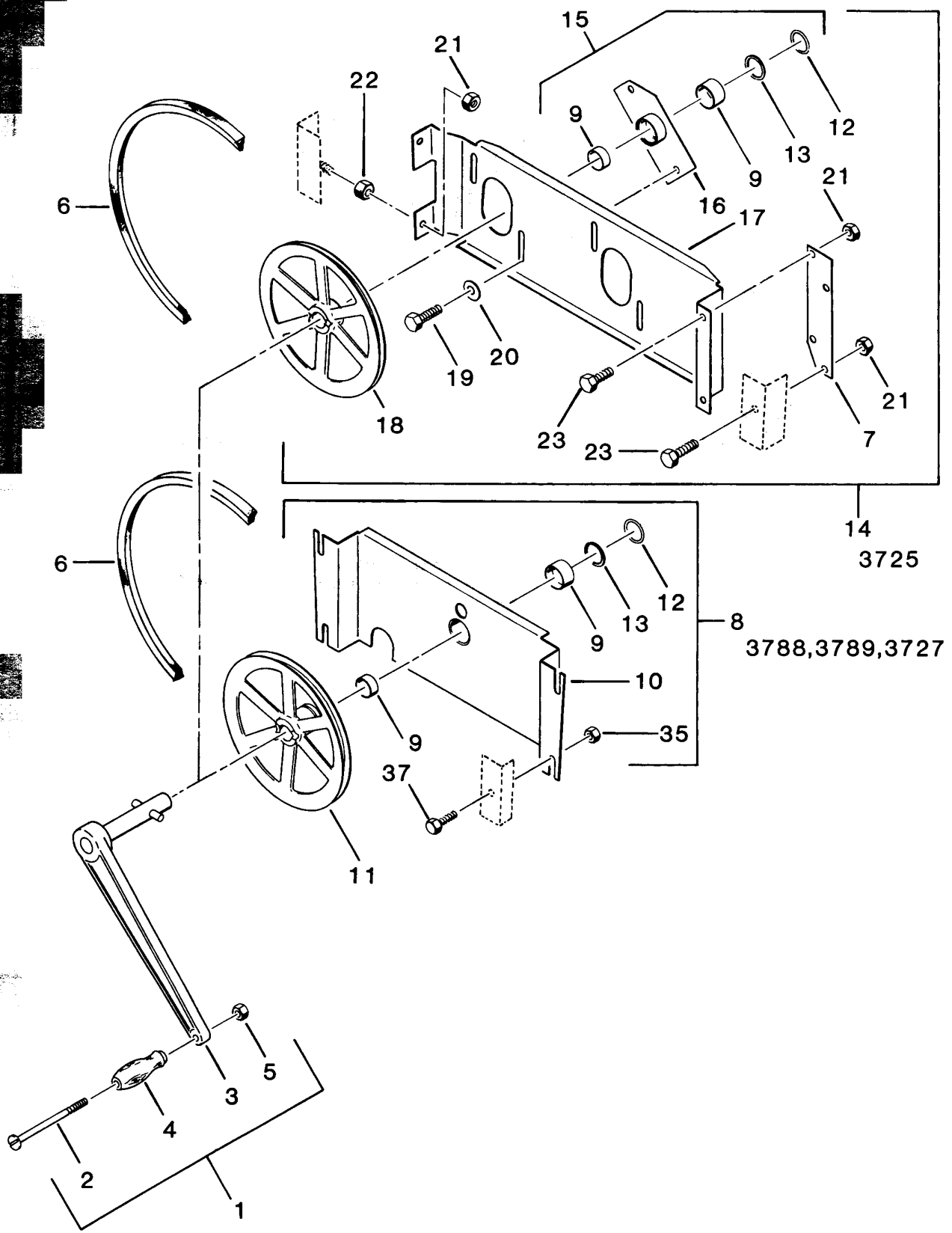
** For pumps built previous to Serial No. 6P-7106, order Interlock H-8054-02.

*** For pumps not equipped with a Bracket and Pin Assembly, order KR-272 Kit.

**BENNETT® 3700 Series
Service Repair Kits for Wilson Keytrol Assembly 11/87**

Ref. No.	Part No.	Description	Qty.
	KR-180-01	Field Conversion to include Keytrol	1
	KR-188-01	Totalizer & Lock Kit, R.H. for units built after Ser. No. 6P-8162	1
	KR-188-02	Totalizer & Lock Kit, L.H. for units built after Ser. No. 6P-8162	1
	KR-188-03	Totalizer & Lock Kit, R.H. for units built before Ser. No. 6P-8162	1
	KR-188-04	Totalizer & Lock Kit, L.H. for units built before Ser. No. 6P-8162	1
	KR-272-01	Kit for replacing Keytrol Motor Lever on pumps without Bracket & Assembly (J-4363)	1

BENNETT® 3700 Series
 Drawing #31 Handcrank Option - Export 11/88

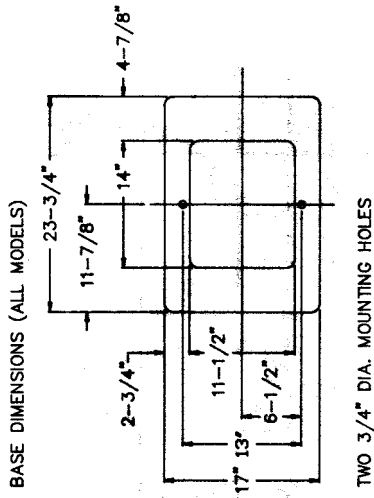
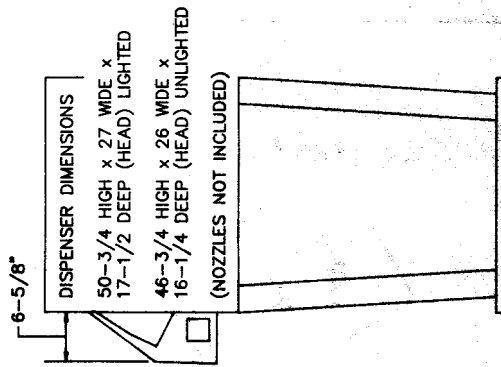


Parts List #31 Handcrank Option - Export 11/88

Ref. No.	Part No.	Description	3788	3725
			3789	
1	H-9913-01	Hand Crank Assembly	1	2
2	A-0337-01	Bolt, 3/8-16 x 5	1	1
3	H-9907-01	Crank, Hand	1	1
4	E-0078-01	Handle, Crank	1	1
5	A-0028-01	Nut, 3/8-16	1	1
6	A-2160-17	Belt, "V" - 46" (T-70)	1	-
	A-2160-29	Belt, "V" - 45" (T-75)	1	-
	A-2160-11	Belt, "V" - 42" (T-70)	-	2
	A-2160-12	Belt, "V" - 41" (T-75)	-	2
7	J-7021-01	Bracket, Support	-	1
8	J-7231-01	Bracket & Pulley Assembly	1	-
	J-7231-02	Bracket & Pulley Assembly	-	-
9	A-2593-01	Bearing	2	4
10	J-7231-01	Bracket & Bearing Housing	1	-
	J-7231-02	Bracket & Bearing Housing	-	-
11	H-4666-01	Pulley	1	-
12	371-K-151-01	Ring	1	2
13	H-4648-01	Washer	1	2
14	J-7262-01	Bracket & Pulley Assembly	-	1
15	J-7260-01	Bearing & Housing Assembly	-	2
16	J-7066-01	Housing & Plate Assembly	-	1
17	J-7261-01	Bracket	-	1
18	J-7258-01	Pulley	-	2
19	A-2174-01	Screw, Cap 3/8-16	-	4
20	A-0044-01	Washers	-	4
21	A-3986-01	Nut, Flange 5/16-18	4	6
22	A-2191-04	Nut, Spacer 5/16-18	-	2
23	A-2552-02	Screw, 5/16-18	4	6
		THE FOLLOWING PARTS ARE NOT SHOWN		
24	H-5837-22	Panel Assy, Front (Stainless Steel)	1	-
*	H-5837-25	Panel Assy, Front (Painted)	1	-
	H-5837-24	Panel Assy, Front (Stainless Steel)	-	1
*	H-5837-26	Panel Assy, Front (Painted)	-	1
	H-5837-24	Panel Assy, Front (Stainless Steel)	-	-
*	H-5837-27	Panel Assy, Front (Painted)	-	-
25	J-7242-01	Valve Deck Assembly	-	-
26	J-7243-01	Valve Deck	-	-
27	J-7733-01	Low Pressure Tube Assembly	-	-
28	N-1298-01	Side Frame & Stud Assembly	-	1

*Specify color when reordering.

INSTALLATION INFORMATION 3700 SERIES



CAUTION: DISPENSERS MUST BE INSTALLED WITH A SUITABLE POWER OPERATED PUMP INCORPORATING A PROVISION FOR EXPANSION RELIEF WHICH WILL RELIEVE AT PRESSURES NOT TO EXCEED 50 LBS PER SQ IN. DO NOT USE LINE CHECK VALVE BETWEEN DISPENSER AND POWER OPERATED PUMP UNLESS PROVIDED WITH RELIEF VALVE. (REMOTE DISPENSERS ONLY)

ALL THREADED PIPE JOINTS OF LIQUID HANDLING PIPING MUST BE ASSEMBLED WITH UNDERWRITERS' LISTED GASOLINE RESISTANT PIPE JOINT SEALING COMPOUND. APPLY ON MALE THREADS ONLY.

NOTE: INSTALLATION TO CONFORM TO NATIONAL, STATE, AND LOCAL CODES.

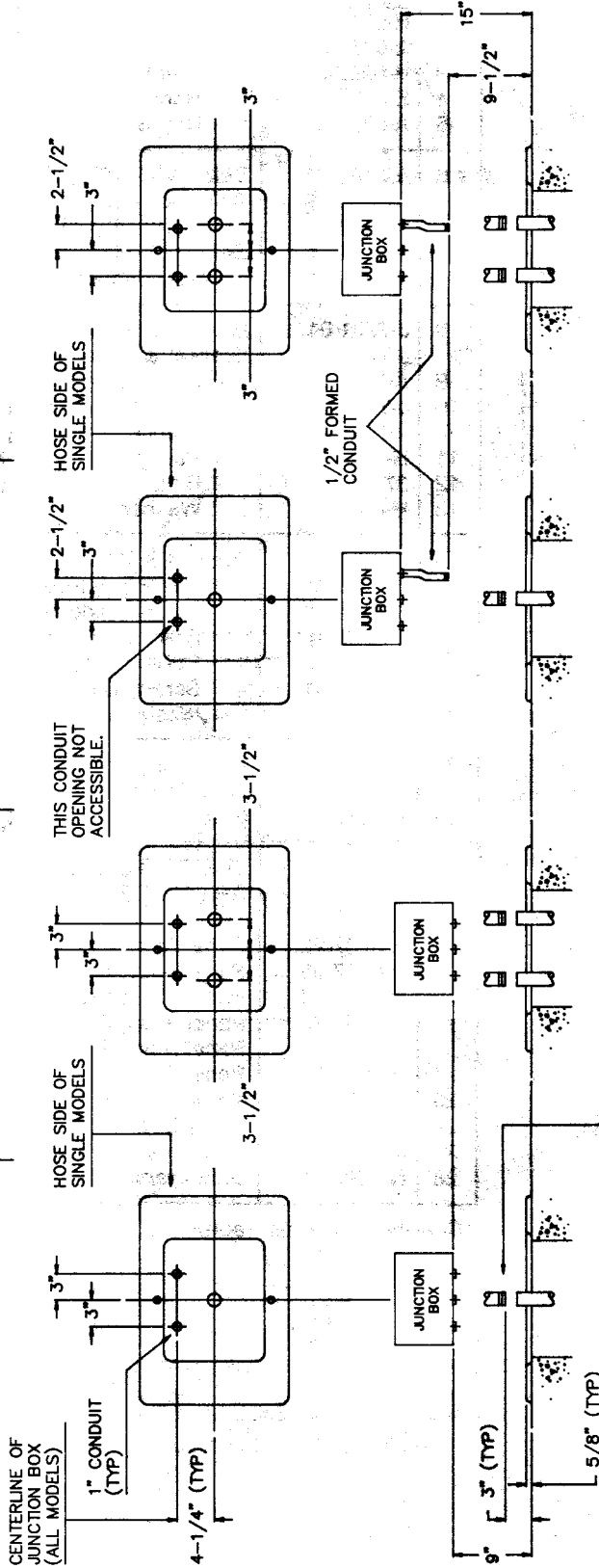
MODELS 3724, 3782, 3792

MODEL 3722

MODELS 3727, 3788, 3789

MODEL 3725

CENTERLINE OF JUNCTION BOX (ALL MODELS)



CUSTOMER TO PROVIDE CONDUIT AND FITTINGS TO JUNCTION BOX AND SUPPLY INLET KNOCK OFF VALVES IF REQUIRED.

NOTE: SAFETY VALVES ARE TO BE INSTALLED WITH SHEAR SECTION IN LINE WITH SURFACE OF ISLAND WITHIN + OR - 3/4". DEPENDING ON VALVE TO BE USED, A LONGER OR SHORTER SUPPLY NIPPLE MAY BE REQUIRED.

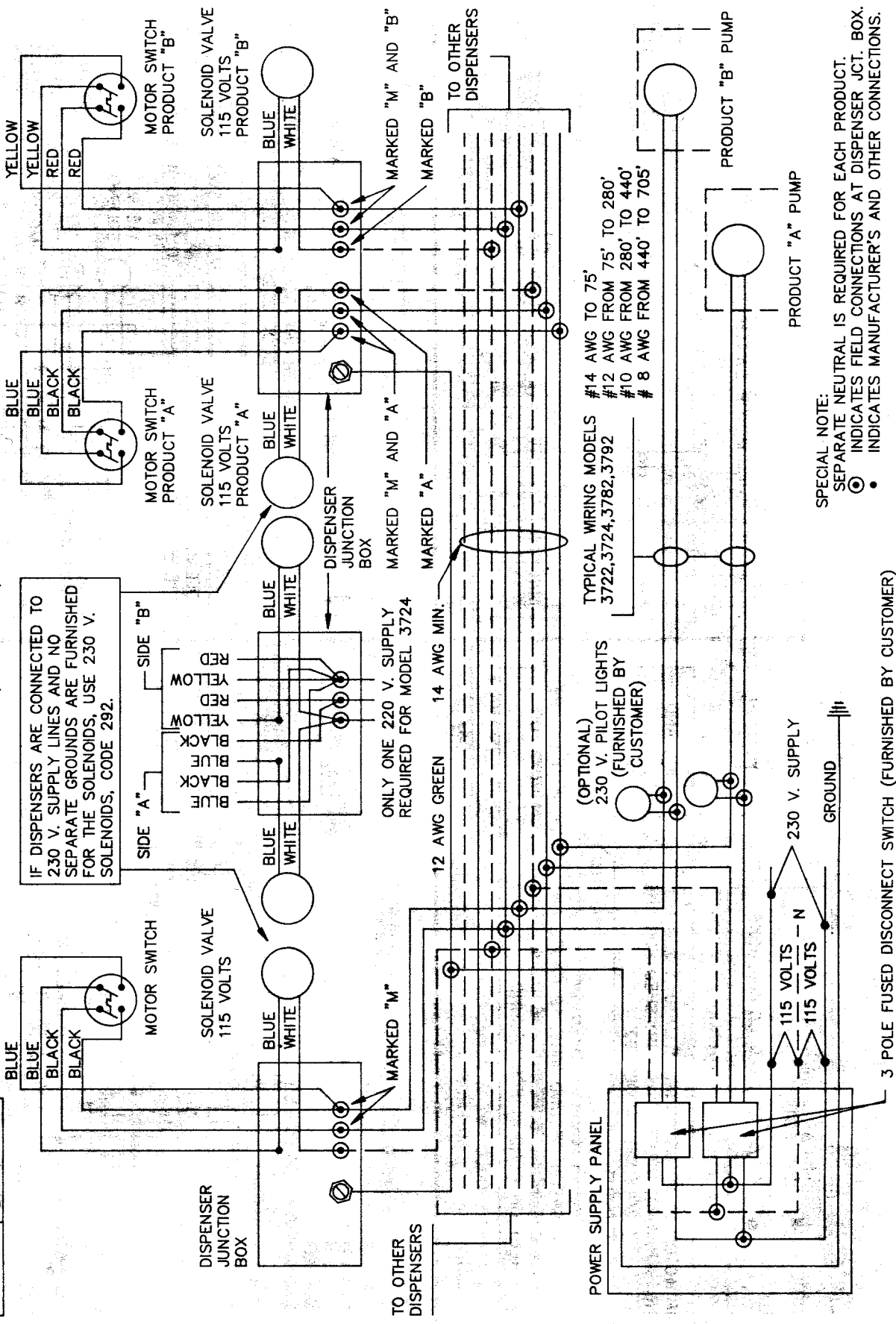
1-1/2" INLET PIPES, THREADED FOR GROUND JOINT UNION. (UNTHREADED FOR DRESSER COUPLING CODES.)

J-7571
SPL-0195-5 9/88

TYPICAL STATION WIRING LAYOUT

3700 SERIES REMOTE DISPENSERS - MECHANICAL RESET (CAM-AC) (DOMESTIC)

ELECTRICAL RATINGS	
MOTOR	1 H.P.
SWITCH	125/250 VAC
SOLENOID	115 VAC
	200 MA



SPECIAL NOTE:
 SEPARATE NEUTRAL IS REQUIRED FOR EACH PRODUCT.
 ○ INDICATES FIELD CONNECTIONS AT DISPENSER JCT. BOX.
 • INDICATES MANUFACTURER'S AND OTHER CONNECTIONS.

3 POLE FUSED DISCONNECT SWITCH (FURNISHED BY CUSTOMER)

WIRING DIAGRAMS

SELF-CONTAINED MODELS 3700 SERIES - WITH CAM-AC (MECHANICAL RESET)
(DOMESTIC)

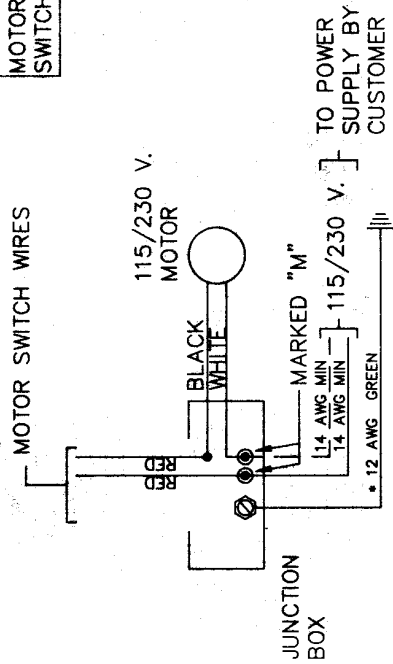
NOTE: ● INDICATES MANUFACTURER'S CONNECTION
○ INDICATES FIELD CONNECTIONS

IF MOTOR IS TO BE CONNECTED TO A 230 VOLT SUPPLY LINE AND NO SEPARATE NEUTRAL IS FURNISHED FOR THE SOLENOIDS, USE 230 VOLT SOLENOID, CODE 292.

* PULL A GREEN GROUND WIRE, 12 GAUGE OR LARGER, AND SECURE WITH A GROUNDING SCREW IN THE DISPENSER JUNCTION BOX. DO NOT RELY ON CONDUIT FOR GROUND.

MODEL 3788, 3789

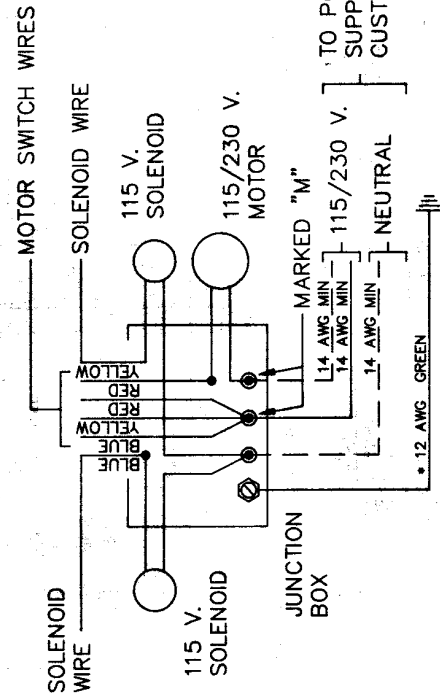
ELECTRICAL RATINGS	
MOTOR SWITCH	1 H.P. 125/250 VAC



MODEL 3727

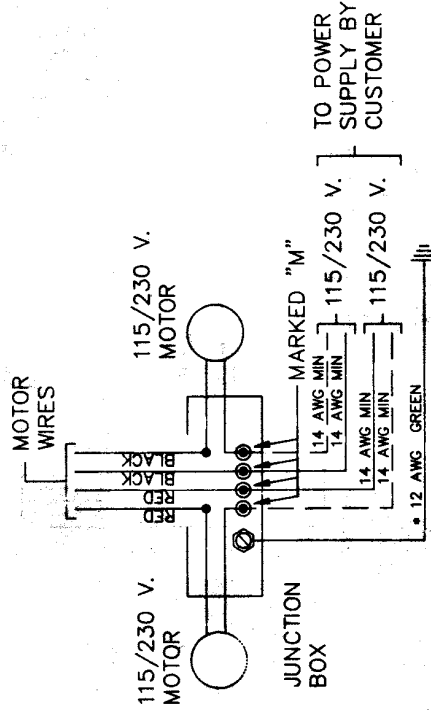
ELECTRICAL RATINGS	
MOTOR SWITCH	1 H.P. 125/250 VAC
SOLENOID	115 VAC 200 MA

IF MOTOR IS TO BE CONNECTED TO A 230 VOLT SUPPLY LINE AND NO SEPARATE VOLT SUPPLY LINE AND NO SEPARATE GROUND IS FURNISHED FOR THE SOLENOIDS, USE 230 VOLT SOLENOID, CODE 292.



MODEL 3725

ELECTRICAL RATINGS	
MOTOR SWITCH	1 H.P. 125/250 VAC



SPL-0195-5 9/88

WIRING - FACTORY AND INSTALLATION

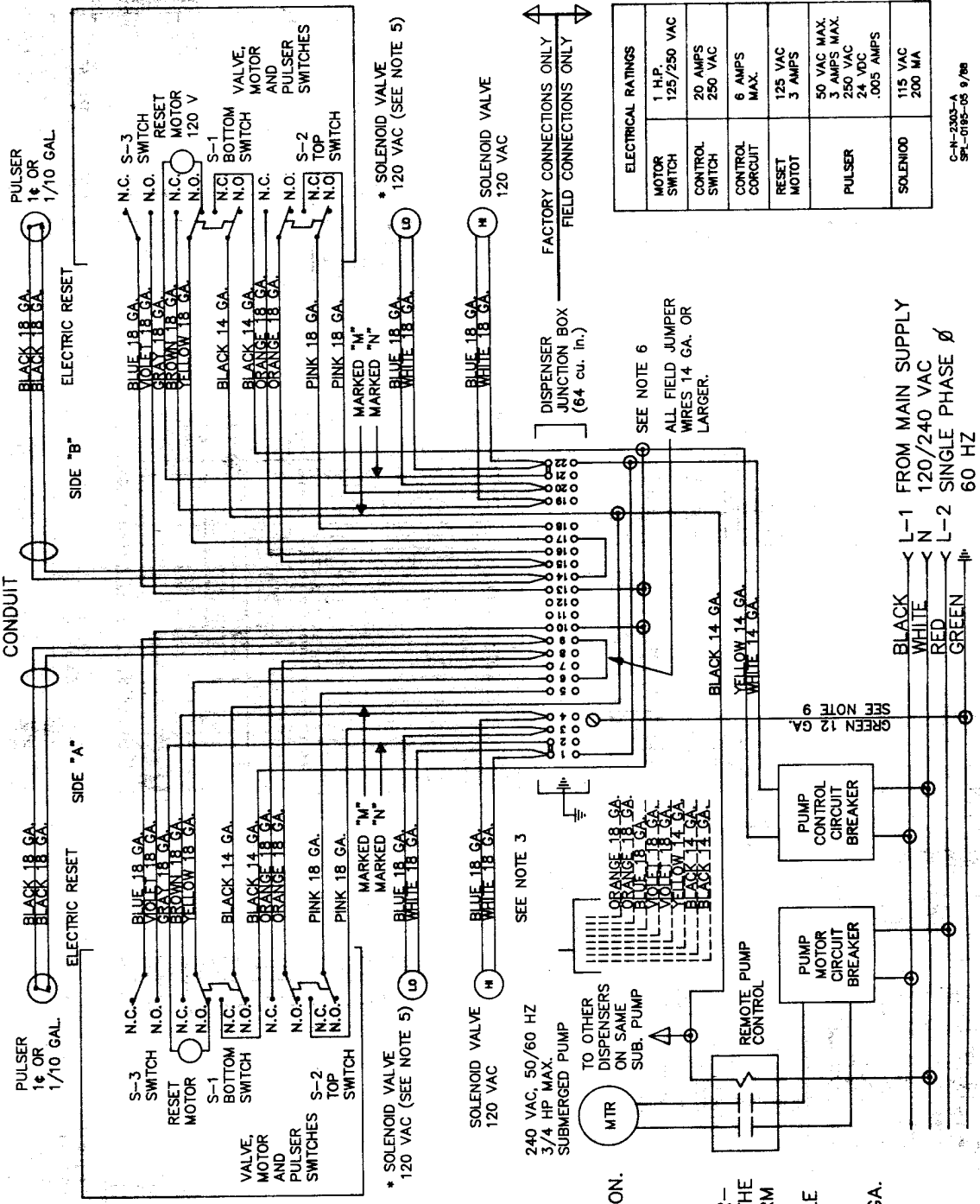
MODELS 3782, 3722, 3724 - CODES 562 AND 563

FOR CONVENTIONAL USE WITHOUT CONSOLE
 WIRING FOR SINGLE HOSE MODELS IS AS SHOWN FOR "A" SIDE ONLY

FOR PUMPS WITH PINK WIRES ONLY

NOTES:

- 1 ALL WIRING MUST BE INSTALLED AND USED IN ACCORDANCE WITH NATIONAL ELECTRICAL CODE (NFPA #70), AUTOMOTIVE AND MARINE SERVICE STATION CODE (NFPA #30A), STATE, AND LOCAL CODES.
- 2 METAL CONDUIT PIPE TO BE USED AS 3rd WIRE (GREEN) GROUND THROUGHOUT ALL OF SYSTEM.
- 3 EXTRA WIRES NEEDED FOR FUTURE CONSOLE CONVERSION.
- 4 FOR CONNECTION TO POSTPAY AND PREPAY INTERCONNECTION BOX AND CONSOLE SEE MANUAL WITH CONSOLE.
- 5 * NOT FURNISHED ON CODE 562. DISCONNECT "LO" SOLENOID LEADS WHEN CODE 563 IS USED WITHOUT CONSOLE.
- 6 ● DESIGNATES FIELD CONNECTION.
- 7 ● DESIGNATES FACTORY CONNECTION.
- 8 PULSERS REQUIRED ON CODE 562 AND 563 ONLY. PULSER SHOWN IS VEEDER-ROOT SERIES 7697. IF SUPPLIED WITH CODE 659, (VEEDER-ROOT SERIES 7874 PULSE-TOTE) THE ORANGE WIRE AND WHITE WIRE FORM PULSER BARRIER ARE TO BE CONNECTED AS SHOWN ON CONSOLE INSTALLATION DIAGRAMS.
- 9 PULL A GREEN GROUND WIRE, 12 GA. OR LARGER, AND SECURE WITH GROUNDING SCREW IN DISPENSER JUNCTION BOX. DO NOT RELY ON METAL CONDUIT AS GROUND.



ELECTRICAL RATINGS	
MOTOR SWITCH	1 H.P. 125/250 VAC
CONTROL SWITCH	20 AMPS 250 VAC
CONTROL CIRCUIT	6 AMPS MAX.
RESET MOTOR	125 VAC 3 AMPS
PULSER	50 VAC MAX. 3 AMPS MAX. 250 VAC 24 VDC .005 AMPS
SOLENOID	115 VAC 200 MA

C-N-2903-A
 SP-0185-06 9/68

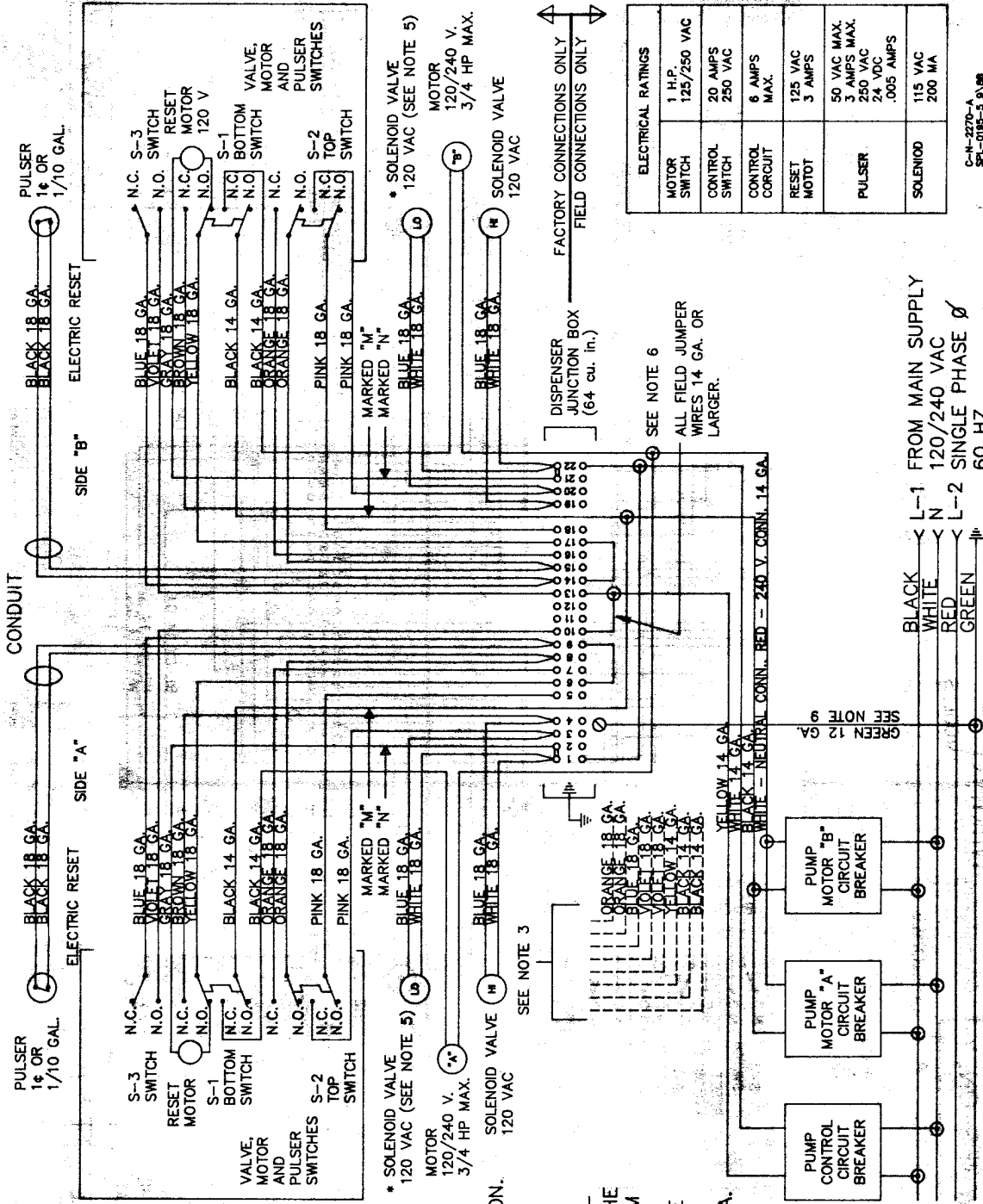
FOR PUMPS WITH PINK WIRES ONLY

WIRING - FACTORY AND INSTALLATION

MODELS 3788, 3789, 3725 - CODES 562 AND 563

FOR CONVENTIONAL USE WITHOUT CONSOLE
 WIRING FOR SINGLE HOSE MODELS IS AS SHOWN FOR "A" SIDE ONLY

- 1 ALL WIRING MUST BE INSTALLED AND USED IN ACCORDANCE WITH NATIONAL ELECTRICAL CODE (NFPA #70), AUTOMOTIVE AND MARINE SERVICE STATION CODE (NFPA #30A), STATE, AND LOCAL CODES.
- 2 METAL CONDUIT PIPE TO BE USED AS 3rd WIRE (GREEN) GROUND THROUGHOUT ALL OF SYSTEM.
- 3 EXTRA WIRES NEEDED FOR FUTURE CONSOLE CONVERSION.
- 4 FOR CONNECTION TO POSTPAY AND PREPAY INTERCONNECTION BOX AND CONSOLE SEE MANUAL WITH CONSOLE.
- 5 * NOT FURNISHED ON CODE 562. DISCONNECT "LO" SOLENOID LEADS WHEN CODE 563 IS USED WITHOUT CONSOLE.
- 6 ● DESIGNATES FIELD CONNECTION.
- 7 ● DESIGNATES FACTORY CONNECTION.
- 8 PULSERS REQUIRED ON CODE 562 AND 563 ONLY. PULSER SHOWN IS VEEDER-ROOT SERIES 7697. IF SUPPLIED WITH CODE 659, (VEEDER-ROOT SERIES 7874 PULSE-TOTE) THE ORANGE WIRE AND WHITE WIRE FROM PULSER BARRIER ARE TO BE CONNECTED AS SHOWN ON CONSOLE INSTALLATION DIAGRAMS.
- 9 PULL A GREEN GROUND WIRE, 12 GA. OR LARGER, AND SECURE WITH GROUNDING SCREW IN DISPENSER JUNCTION BOX. DO NOT RELY ON METAL CONDUIT AS GROUND.
- 10 USE ONLY ONE CIRCUIT BREAKER OF CORRECT CAPACITY FOR EACH PUMP MOTOR IN THE SYSTEM.



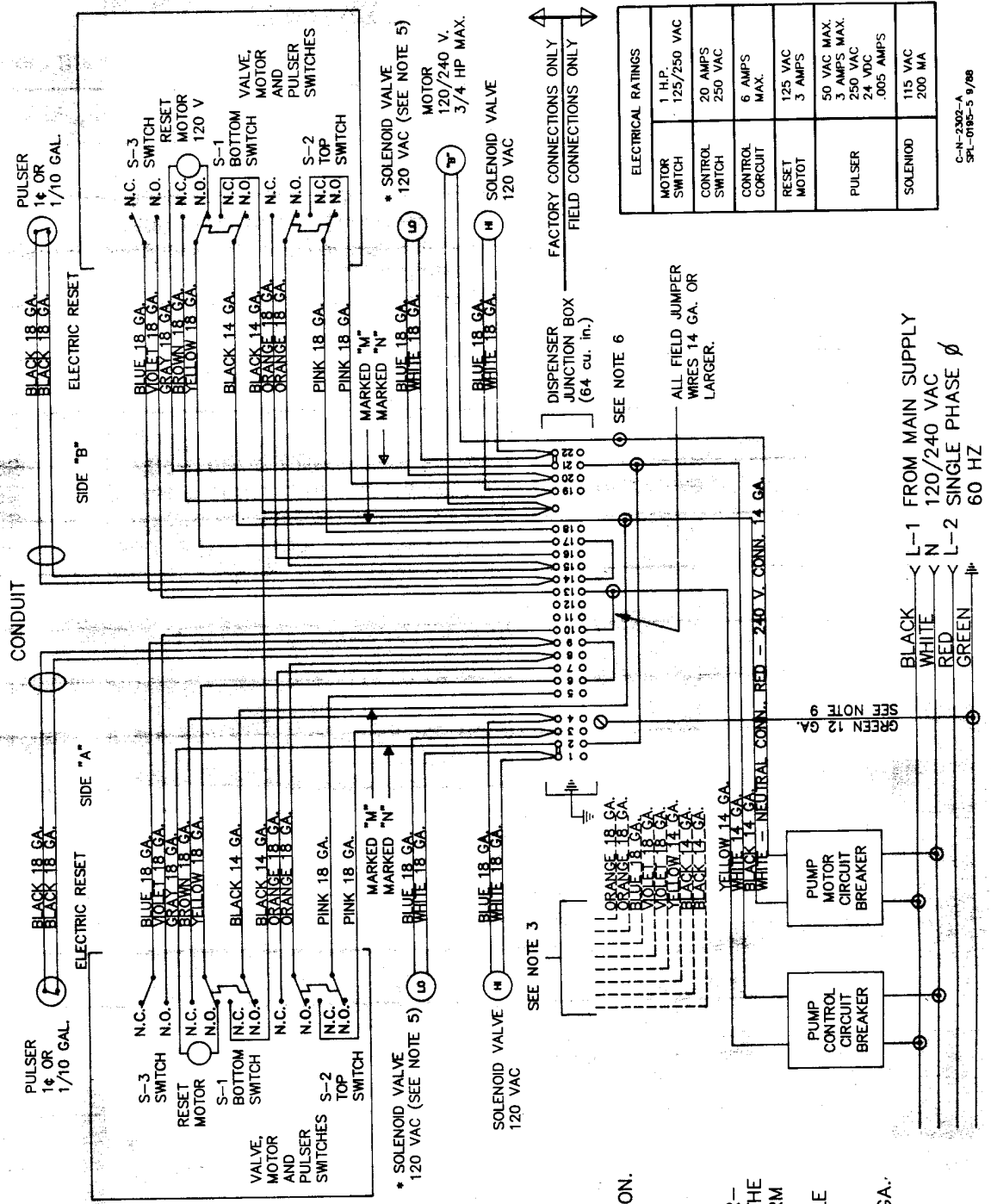
WIRING - FACTORY AND INSTALLATION

MODELS 3727 - CODES 563 AND 563
FOR CONVENTIONAL USE WITHOUT CONSOLE

FOR PUMPS WITH PINK WIRES ONLY

NOTES:

- 1 ALL WIRING MUST BE INSTALLED AND USED IN ACCORDANCE WITH NATIONAL ELECTRICAL CODE (NFPA #70), AUTOMOTIVE AND MARINE SERVICE STATION CODE (NFPA #30A), STATE, AND LOCAL CODES.
- 2 METAL CONDUIT PIPE TO BE USED AS 3rd WIRE (GREEN) GROUND THROUGHOUT ALL OF SYSTEM.
- 3 EXTRA WIRES NEEDED FOR FUTURE CONSOLE CONVERSION.
- 4 FOR CONNECTION TO POSTPAY AND PREPAY INTERCONNECTION BOX AND CONSOLE SEE MANUAL WITH CONSOLE.
- 5 * NOT FURNISHED ON CODE 562. DISCONNECT "LO" SOLENOID LEADS WHEN CODE 563 IS USED WITHOUT CONSOLE.
- 6 ● DESIGNATES FIELD CONNECTION.
- 7 ● DESIGNATES FACTORY CONNECTION.
- 8 PULSERS REQUIRED ON CODE 562 AND 563 ONLY. PULSER SHOWN IS VEEDER-ROOT SERIES 7697. IF SUPPLIED WITH CODE 659, (VEEDER-ROOT SERIES 7874 PULSE-TOTE) THE ORANGE WIRE AND WHITE WIRE FORM PULSER BARRIER ARE TO BE CONNECTED AS SHOWN ON CONSOLE INSTALLATION DIAGRAMS.
- 9 PULL A GREEN GROUND WIRE, 12 GA. OR LARGER, AND SECURE WITH GROUNDING SCREW IN DISPENSER JUNCTION BOX. DO NOT RELY ON METAL CONDUIT AS GROUND.



ELECTRICAL RATINGS	
MOTOR SWITCH	1 HP. 125/250 VAC
CONTROL SWITCH	20 AMPS 250 VAC
CONTROL CIRCUIT	6 AMPS MAX.
RESET MOTOR	125 VAC 3 AMPS
PULSER	50 VAC MAX. 3 AMPS MAX. 250 VAC 24 VDC .005 AMPS
SOLENOID	115 VAC 200 MA

C-N-2302-A
SP-0185-5 9/68