

B-8000 / 9000 SINGLE WALL UDC INSTALLATION INSTRUCTIONS



B-8000



B-9000

REQUIRED TOOLS

(NOT PROVIDED)

Power/air Sanders. Acetone to clean up tools/applicators. Power Cutting Tools.

RECOMMENDED:

(NOT PROVIDED)

Bravo FS Sand Kit



ii-B8000-9000-SW-11A

S. Bravo Systems, Inc. - The Leader in Secondary Containment

2929 Vail Ave. | Commerce, CA | 323-888-4133 | FAX: 323-888-4123 | www.sbravo.com



MANDATORY

The B8000/9000 SingleWall UDC Sump Series from S. Bravo Systems, Inc. MUST be installed by, and only by, **Bravo Certified Installation Contractors**. Details can be found at www.sbravo.com/cert.htm

IMPORTANT

READ THESE INSTRUCTIONS - KEEP FOR FUTURE REFERENCE

TABLE OF CONTENTS

- A) Sump Positioning & Penetration Fittings..... p. 3-4
- B) Water Testing Sump & Fittings..... p. 4
- C) Sump Repairs / Penetration Fitting Repairs..... p. 4
- D) Upper Frame Installation..... p. 5
- E) Adjusting Product Shear Valve..... p. 6

NOTICE

- *Closely adhere to all directions and warnings indicated on the product or contained in these instructions.*
- *Warranty is void if there is any evidence of modification, abuse, negligence or improper installation.*
- *For assistance please call Bravo for technical support at (800) 28-BRAVO. Outside the U.S.A. please call (323) 888-4133.*

SAFETY FIRST! S. Bravo Systems, Inc. urges you to carefully adhere to the normal safety procedures and precautions followed by your company. Please follow the mandates and compliances decreed by OSHA, local, State and federal regulations regarding the use of this product.

WARRANTY

All containment systems sold by S. Bravo Systems, Inc. are warranted to be free from defects in material and workmanship for a period of one year from date of purchase. This warranty will be limited to the repair and replacement of Bravo parts only and will exclude all claims for labor or consequential damage. No other express warranties given and no affirmation of S. Bravo Systems, Inc., or its agents and/or representatives, by words or action, will constitute a warranty. IT IS EXPRESSLY AGREED THAT THIS WARRANTY WILL BE IN LIEU OF ALL WARRANTIES OF FITNESS AND IN LIEU OF THE WARRANTY OF MERCHANTABILITY.

This warranty is void if there is any evidence of modification, abuse, negligence, or improper installation. If any fittings or components, other than S. Bravo Systems approved fittings or components, are used in conjunction with any S. Bravo Systems product, the warranty pertaining to these products is immediately void.

NEW INSTALLATION

IMPORTANT

During Installation, cover the UniBox with cardboard, plastic sheeting or equivalent to keep debris from falling into the box. Cover all threaded connections to prevent damage to threads.

A - Sump Positioning

A.1- Determine the permanent position of the UniBox inside the island according to your specs. Place two support bars across the island widthwise. (Fig. A.1)

A.2- Rest UniBox on top of a bed of peagravel and ensure the UniBox is level. The Angled supports should make contact with the support bars of the island (Fig. A.1).

NOTICE Containment boxes are marked "A" for Junction box side. Refer to dispenser manufacturers Junction box position.

IMPORTANT Box should be approximately 1/4" above top edge of island to allow water to drain away from containment box.

A.3 - After positioning dispenser box, secure with tie wire to the island support to prevent shifting during concrete pour. Bolting angled supports to the support bars **TO THE TOP OF THE METAL MIDFRAME** through provided 1/4" holes is recommended. (Fig. A.4)

PRODUCT AND VAPOR SHEAR VALVE

A.4 - Remove top frame. If not factory installed, connect either the flex connector and/or riser pipe to the bottom of the shear valves outside the sump, then install all product and vapor shear valve assemblies according to the dispenser configuration to the provided brackets. If adjustments to the position of the shear valves are required, check with dispenser manufacturer's configuration (Fig. A.4). See also "Section D" on page 8.

PENETRATION FITTINGS

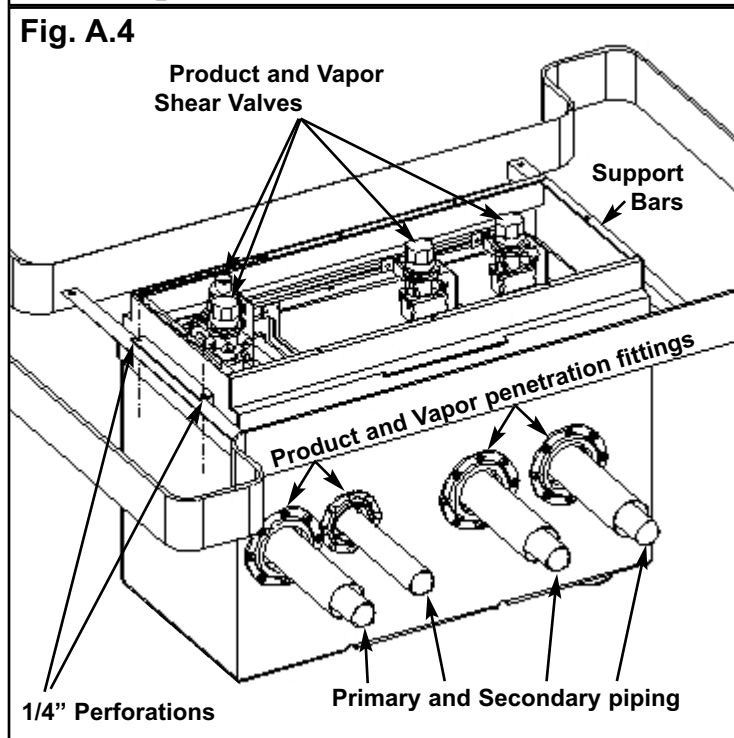
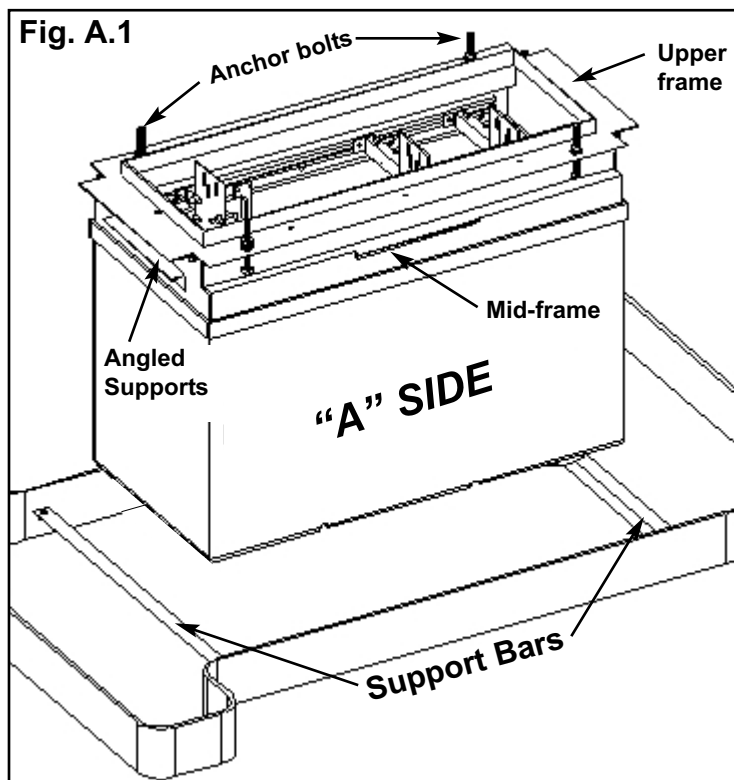
A.5 - Install the required number of penetration fittings per their respective Installation Instructions (Fig. A.4).

IMPORTANT

IT IS RECOMMENDED THAT YOU ABRASE THE SUMP WALLS FLAT PER THE T-FS-SAND-KIT INSTRUCTIONS

ELECTRICAL PENETRATION FITTINGS

A.6 - Next generation Bravo UDC's feature an electrical offset frame that allows you to install your conduits on the exterior of the sump and up into the side panel of your dispenser.



WARNING

Pressure test the primary line following the pipe manufacturer's Installation Instructions. Refer to shear valve manufacturer's Installation Instructions for details on testing.

PRIMARY AND VAPOR PIPING

A.7 - Please refer to your pipe manufacturer's Installation Instructions to install primary and/or vapor pipe at this time. Pay special attention to the **FITTING MANUFACTURERS INSTALLATION INSTRUCTIONS!** Save yourself time by following them closely.

B - WATER TESTING SUMP / FITTINGS

IMPORTANT

It is recommended that all piping and conduits be connected at this time. Clear all debris & materials from the dispenser sump and float reservoir (If your sump is equipped with the float-trip system) All field installed penetration fittings must be water-leak tested.

B.1- To test field installed fittings, add enough backfill under the UDC box so its weight is completely supported. Do not allow island supports to hold all the weight. The box will become extremely heavy.

B.2- Fill the box with water to **2 inches** above the highest fitting. **After 3 hours**, make a visual inspection of the exterior of the box. If there are no leaks, proceed to remove the water with an appropriate pump. **DO NOT DRILL A DRAIN HOLE**, and plan to patch the hole.

If there **ARE** leaks, proceed to **Step C** (below) for repair instructions.

C - IF ANY LEAKS ARE FOUND!!

- A:** Locate leak point(s) and mark with marker so you can locate it / monitor it.
- B:** Repair or reinstall penetration fittings according to your penetration fitting manufacturers' Installation / Maintenance Instructions.
- C: Occasionally...** Bravo Fiberglass Series Products may suffer mild damage in transit or field installation. Please take a close look at edges and corners.
- D: FOR FIBERGLASS REPAIRS:** Abrade a 2" diameter area centered on the leak point until flow coat is gone and natural resin/fiberglass material can be seen. Dust with shop brush or compressed air and do not use shop towels or acetone. S. Bravo Systems recommends "**Smith Fibercast Adhesive Kit #8014**" to repair and reinforce Bravo Fiberglass products. Make sure area is completely dry and apply resin generously. For anything larger than pinhole leaks you must consult the factory.

FOR PENETRATION FITTING LEAKS/REPAIRS: Follow penetration fitting manufacturers repair recommendations in their respective Installation Instructions. **DO NOT** compromise Bravo Product Integrity.

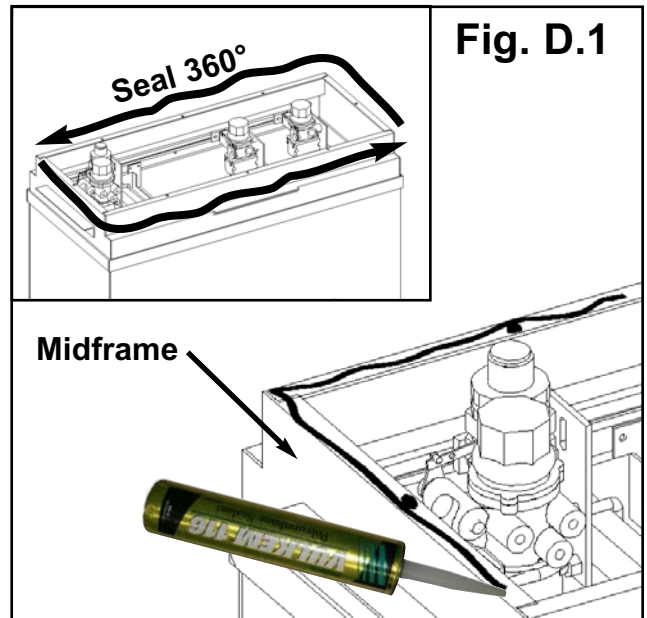
- E:** Let cure for a minimum of 4 hours @ or above 75° Fahrenheit.

D-Upper Frame Installation

D.1 - Clean all surfaces. Apply a generous bead of provided Vulkem to the top edge of the Midframe. Be sure to apply Vulkem to the bolt holes. (Fig. D.1)

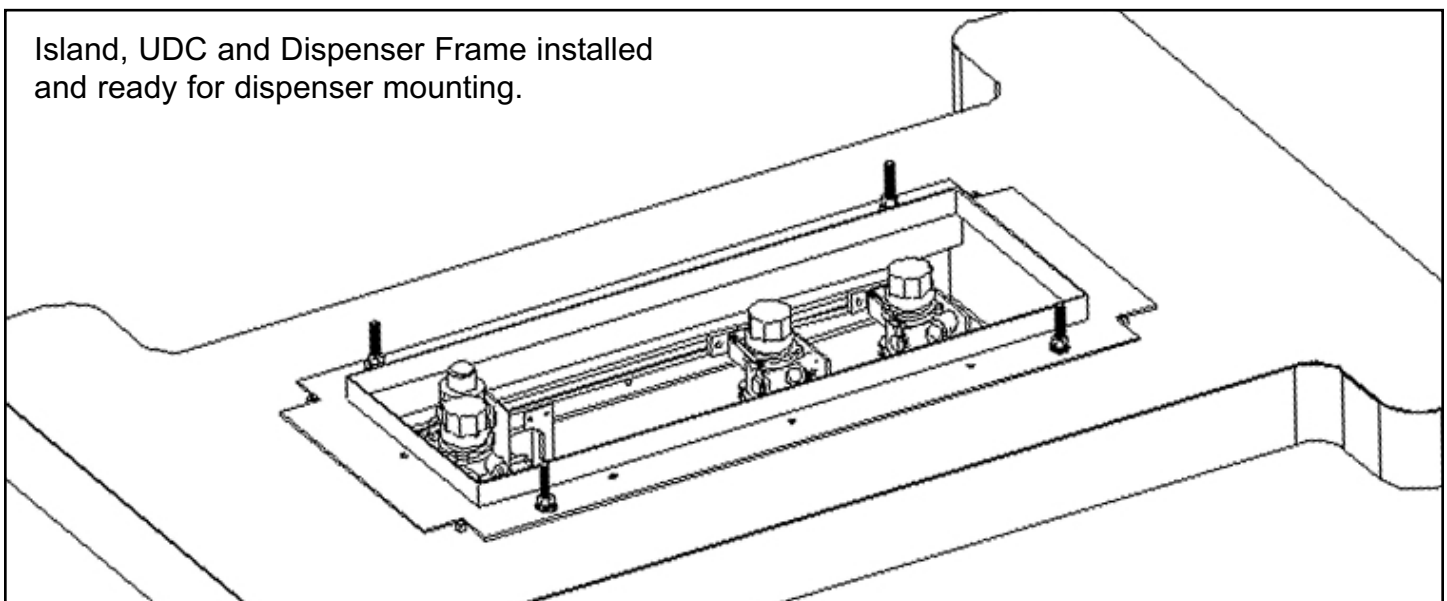
D.2 - Place the dispenser frame on top of the midframe and align the holes. Secure using provided truss head screws. Apply Vulkem to threads and between parts you are bolting to. **Apply Vulkem to the external gap between the midframe and upper frame.** After tightening bolts and/or nuts provided and upper frame is secure, apply generous amount of vulkem to seal the nut and threads.

D.3 - Loosen valve bolts on bracket to allow for adjustability for when you align dispenser and make valve connections.

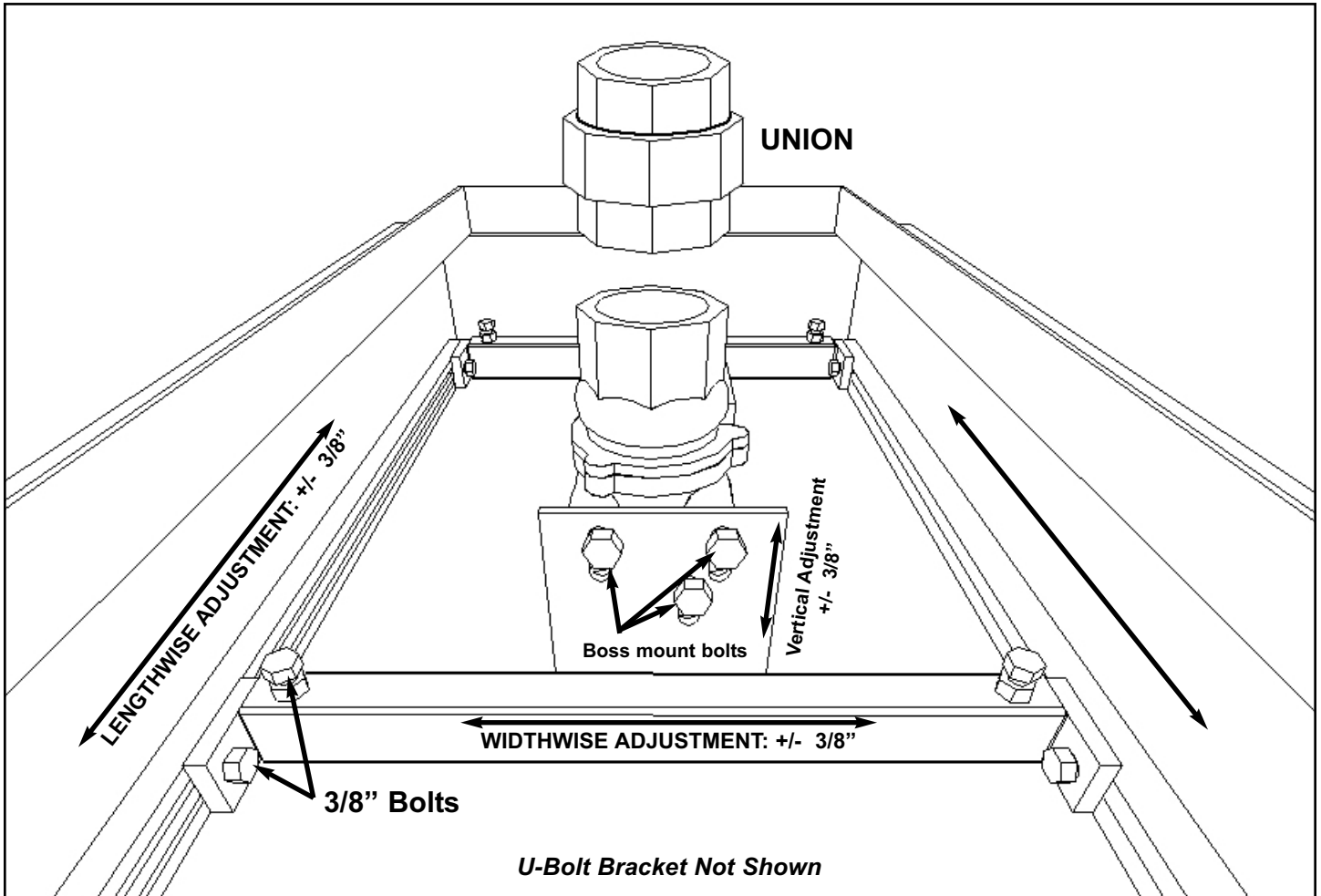


While it is common to bead silicone caulk or other sealant along the bottom edge of the dispenser paneling where it meets the island ***YOU SHOULD NOT DO THIS !!***

Bravo Systems dispenser frames and conversion frames are purpose built with a tailored Water Splash lip to prevent water from entering the bottom seams of the dispenser and into the sump below. When you seal this edge, it will cause water from rain or heavy fog to accumulate on the interior of the dispenser and, when it runs down the interior of the dispenser panels, it will accumulate between your seal and our water splash lip, and drain into the sump causing an alarm. If you **MUST** seal this area on the traffic-facing sides of the dispenser, we suggest leaving a 2-3" gap on the ends to allow water drainage from within.



E - ADJUSTING THE PRODUCT SHEAR VALVE



E.1 - When the dispenser is anchored properly, the dispenser inlet or pump inlet should be plumb with the product shear valve. If the product shear valves are positioned correctly, connect them with a union.

E.2 - If the valve and inlet are not aligned, determine the distance necessary for the valve to be moved. To adjust the valve lengthwise and/or widthwise, loosen the 3/8" bolts on the bracket ends and on the bracket inserts. Align valve to dispenser inlet and retighten bolts.

E.3 - Connect dispenser riser pipe to the product shear valve. A nipple may be required to extend the dispenser riser. If product shear valves are positioned correctly, connect them with a union.

IMPORTANT For rigid piping apply a UL classified pipe sealant for use and handling of gasoline and petroleum oils to externally threaded connections.

E.4 - Now retighten bolts and/or nuts attaching the shear valves to the bracket. Use provided washers.

E.5 - Connect electrical and vapor lines to the dispenser as required by local regulations. Always follow electrical and vapor component manufacturers' Installation Instructions.

BRAVO ELECTRICAL OFFSET FRAME INSTALLATION INSTRUCTIONS

IMPORTANT

Make sure all electrical conduits and piping are clear of any equipment or other obstructions in the dispenser.

Physically check your hydraulic cabinet for obstructions before any installation begins.

BRAVO UNDER DISPENSER CONTAINMENT ELECTRICAL OFFSET INSTRUCTIONS

- 1)** The Frame should be fully installed and sealed with provided Vulkem before conduit installation.
- 2)** Make sure all electrical conduits (piping) are clear of any equipment in the dispenser. Physically check your hydraulic cabinet for obstructions before any installation begins.
- 3)** Conduits must be run and tightly secured to the sump.
- 4)** Pour concrete around outside of Dispenser Sump and within the conduit area.

