



# **GASBOY**

---

## **SERIES 9100A PUMPS/DISPENSERS PARTS LIST**

**035258**

**Rev. 03/07/03**

Copyright 2003 by Gasboy International LLC All rights reserved.  
The information in this document is confidential and proprietary. No further disclosure shall be made without permission of Gasboy International LLC. Gasboy International LLC believes that the information in this document is accurate and reliable. However, we assume no responsibility for its use, nor for any infringements of patents or other rights of third parties resulting from its use. We reserve the right to make changes at any time without notice.

**GASBOY INTERNATIONAL LLC LANSDALE, PA**

# IMPORTANT WARNINGS AND SAFEGUARDS

**Gasoline and petroleum products are flammable. To avoid injury or death to persons or damage to equipment or property, follow these listed warnings and other warnings and precautions outlined in this manual when installing, using, or working around this equipment. Check with GASBOY Technical Services for compatibility of liquids with pump materials.**

## **TURN OFF AND LOCK OUT ALL POWER TO PUMP BEFORE PERFORMING SERVICE, MAINTENANCE OR IN THE EVENT OF A FUEL SPILL.**

All products must be installed by a qualified installer and used in conformance with all building, fire, and environmental codes and other safety requirements applicable to its installation and use, including, but not limited to, NFPA 30, NFPA 30A, NFPA 395 & NFPA 70. A qualified installer is familiar with fuel systems installations under the above stated building, fire, and environmental codes and other safety requirements for the particular type of installation.

This product is only part of a fuel dispensing system and additional equipment and accessories, such as, but not limited to, breakaway connectors, shear valves, pressure regulators, flow limiters, and other safety devices may be necessary to meet the applicable codes.

For maximum safety, we recommend that all employees be trained as to the location and procedure for turning off power to the entire system. Instructions regarding proper operation of the equipment along with the appropriate safety warnings should be posted in plain view at the fuel island.

Before performing service or maintenance (including changing of fuel filters or strainers) or in the event of a fuel spill, turn off and lock out all power to the system. In battery-powered pumps, disconnect power source. In submersible pump applications, turn off and lock out power at the master panel and close any impact valves to the submersible pump and any other dispensers which use that submersible pump. AC power can feed back into a shut-off dispenser when dispensers share a common submersible pump or starter relay. Also block islands so no vehicles can pull up to the dispenser when the dispenser is being worked on.

**DO NOT** use Teflon tape for any pipe threads in the product.

**DO NOT** use consumer pumps for pumping fuel or additives into aircraft.

**DO NOT** use commercial pumps for direct fueling of aircraft without filters and separators necessary to ensure product purity.

**DO NOT** use where sanitary design is required (for food products for human consumption) or with water-based liquids.

**DO NOT** smoke near the pump or when using the pump.

**DO NOT** use near open flame or electrical equipment which may ignite fumes.

**DO NOT** permit the dispensing of gasoline or other petroleum products into a vehicle with its motor running.

**DO NOT** permit the dispensing of gasoline or other petroleum products into unapproved containers or into approved containers in or on vehicles including trucks. All containers must be filled on the ground to prevent static discharge. Always use Approved and Listed hoses and nozzles with electric pumps and dispensers.

**DO NOT** block open the nozzle in any manner. Nozzles shall conform to UL and NFPA code requirements for attended or unattended service.

**DO** ensure that the pump is equipped with proper filters based on the product being dispensed and its intended use.

**DO** wear safety goggles and protective clothes when dispensing any liquid which may be potentially harmful or hazardous.

**DO** keep all parts of body and loose clothing clear of belts, pulleys, and other exposed moving parts at all times.

**DO** require washing and changing of clothes if fuel is spilled on a person or his/her clothing. Keep away from open flames, sparks, or people smoking.

**DO** provide a receptacle for catching product from pump/meter when servicing.

**DO** clean up product spills on the driveway. Turn off and lock out all power prior to cleanup.

**DO** insure pump is properly grounded.

**DO** insure hose is compatible with fluid being dispensed.

**DO** inspect hose, nozzle, and pump on a regular basis for wear, damage, or other conditions which may create a safety or environmental hazard.

**DO** make sure all pipe threads are properly cut and the inside reamed to remove burrs. Use UL classified gasoline-resisting compound on all joints of gasoline handling piping. Sealing compound must also be resistant to Gasohol (Ethanol and Methanol). Use gasoline-resistant pipe compound on male threads only; pipe compound used on female threads can be squeezed into the supply line where it can enter the product stream and become lodged in the pump or meter.

**DO** ensure that junction box covers are in place and properly tightened. Mating surfaces between the box and cover must be free of dirt, nicks, and scratches. All unused entries into the junction box must be properly plugged.

---

# CONTENTS

---

<b>Using This Parts List</b> .....	1
<b>External Parts and Assemblies</b>	
9100A Single - Front and Side Views.....	2
9100A Twin - Front And Side Views.....	4
9140A, 9140AX - Front And Side Views.....	6
<b>Chassis Assemblies</b>	
9140A Chassis Assembly .....	8
9140AX Chassis Assembly.....	10
9152A, 9153A Chassis Assembly .....	12
9153AHC Chassis Assembly .....	14
9152ATW1 Chassis Assembly.....	16
9153ATW1M Chassis Assembly.....	18
9152ATW2, 9153ATW2 Chassis Assembly.....	20
9152AX, 9153AX Chassis Assembly.....	22
9152AXTW1, 9153AXTW1 Chassis Assembly.....	24
9152AXTW2, 9153AXTW2 Chassis Assembly.....	26
<b>Discharge Assemblies</b>	
Discharge Assembly Matrix .....	28
9140A Discharge Assembly - 097230 .....	29
9140A F Discharge Assembly - 097378 .....	29
9140A PP Discharge - 097277 115V, 097279 230V .....	30
9140AX PP Discharge - 097253 115V, 097255 230V.....	31
9140AX S Discharge - 097257 115V, 097259 230V .....	32
9152A Discharge - 097188 .....	33
9152A F Discharge - 097189 .....	33
9152A FPP, 9152AX F Discharge - 097191 115V, 097211 230V.....	34
9152A PP Discharge - 097190 115V, 097210 230V .....	35
9152ATW1 F Discharge Assembly - 097192 115V, 097212 230V .....	36
9152ATW1 Discharge Assembly - 097193 115V, 097213 230V .....	37
9152ATW2 Discharge Assembly - 097209.....	38
9152ATW2F Discharge Assembly - 097208.....	38
9152ATW2 PP Discharge Assembly - 097207 115V, 097214 230V.....	39
9152AX FS Discharge Assembly - 097195 115V, 097218 230V .....	40
9152AX S Discharge Assembly, 097194 115V, 097217 230V .....	41
9152AXTW F Discharge Assembly - 097201 115V, 097220 230V.....	42
9152AXTW FS Discharge Assembly - 097200 115V, 097222 230V .....	43
9152AXTW Discharge Assembly - 097203 115V, 097219 230V .....	44
9152AXTW S Discharge Assembly - 097202 115V, 097221 230V.....	45
9153A, 9153AHC Discharge Assembly - 097171 .....	46
9153A Discharge Assembly - 097173 .....	46
9153A FPP, 9153AX F Discharge Assembly - 097161 115V, 097172 230V	47
9153A PP, 9153AX Discharge Assembly - 097187 115V, 097181 230V.	48
9153AHC PP Discharge Assembly - 097206 115V, 097216 230V .....	49
9153AX FS Discharge Assembly - 097197 115V, 097224 230V .....	50
9153AX S Discharge Assembly - 097196 115V, 097223 230V .....	51
9153AXTW S Discharge Assembly - 097199 115V, 097225 230V.....	52

9153ATW1M F Discharge Assembly - 097205.....	53
9153ATW1M PP Discharge Assembly - 097154 115V, 097166 230V .....	54
9153ATW1M, 9153ATW2 Discharge Assembly - 097155.....	55
9153AXTW Discharge Assembly - 097185 115V, 097179 230V .....	56
9153AXTW F Discharge Assembly - 097174 115V, 097176 230V .....	57
9153AXTW FS Discharge Assembly - 097198 115V, 097226 230V .....	58

**Component Breakdowns**

Check Valves .....	59
Dial Enclosure Assembly, Single.....	60
Dial Enclosure Assembly, Twin.....	61
Dial Enclosure Assembly, 9140A, 9140AX.....	62
Electric Keytrol Assembly, Single Pump And Dispenser .....	64
Electric Keytrol Assembly, Twin Pump And Dispenser .....	66
Electric Keytrol Assembly, Split - Twin Pump And Dispenser.....	68
Electric Reset Breakdown.....	70
Flange Assembly .....	72
Motor Mount .....	72
Support Assembly .....	72
Strainer Body Assembly .....	73
9152A, 9153A Hand Crank Breakdown.....	74
9100ATW Hand Crank Breakdown .....	76
High Hose Retriever .....	78
Internal Retriever Breakdown.....	79
9100A, 9100ATW Lamp Assembly .....	80
9140A Manifold Assembly .....	81
9140AX Manifold Assembly .....	81
9153ATW1M Manifold Assembly .....	82
9100AXTW Manifold Assembly.....	82
9153AHC Manifold .....	83
9153AHC Manifold Pump Discharge.....	83
9140A, 9152A, 9153A, 9153AHC, 9152ATW1 Meter Assembly .....	84
9152ATW2, 9153ATW2, 9153ATW1M Meter Assembly.....	85
9140AX, 9100AXTW1 Meter Assembly.....	86
9100AXTW2 Meter Assembly .....	87
9100A Meter Assembly Breakdown .....	88
9140A Motor.....	90
9152A, 9153A Motor.....	91
9153AHC Motor.....	92
9152ATW1 Motor .....	93
9153ATW2, 9153ATW1M, 9152ATW2 Motor.....	94
9100A Pulsar Assembly.....	96
9140A/9140AX Pulsar Assembly .....	98
9152ATW1/9100AXTW Pulsar Assembly.....	100
9152ATW2, 9153ATW2, 9153ATW1M Pulsar Assembly.....	102
9100AXTW Pulsar Assembly.....	104
9140A Pumping Unit Assembly.....	106
9152A, 9153A Pumping Unit Assembly.....	107
9152ATW1 Pumping Unit Assembly .....	108
9153ATW1M Pumping Unit Assembly .....	109
9152ATW2, 9153ATW2 Pumping Unit Assembly.....	110
9153AHC Pumping Unit Assembly.....	111
Pumping Unit Assembly Breakdown .....	112

Reset, Manual .....	114
Ticket Printer - Single Or Twin Pump/Dispenser.....	116
9100 Series Kits and Accessories.....	118



---

# PARTS LIST

---

## USING THIS PARTS LIST

This manual lists parts information for the GASBOY Series 9100A pumps and dispensers with serial numbers of 459101 or above. *NOTE: This parts list is for the redesigned 9100 model suffixed A and should not be used for standard 9100 parts; most parts are not interchangeable.*

Using part numbers when ordering will expedite your order and reduce the possibility of the wrong parts being shipped. When ordering replacement parts, be sure to give the complete name and part number as shown in the appropriate parts list. It is also helpful to supply the serial number of the equipment.

This manual is arranged from general to specific, presenting the complete unit first, then the chassis breakdowns, then further breakdowns of the individual components (i.e., dial enclosures, lamp assemblies, discharges, etc.). If you can't find the part you need from the chassis drawing, be sure to check the appropriate parts breakdown for your model.

Procedures requiring disassembly of portions of the pump/dispenser should be performed by competent service personnel. Do not depend upon the repair service of a general mechanic unless he is thoroughly familiar with the mechanism. GASBOY has a distributor network which services fuel dispensing equipment and management systems in every section of the country.

### **WARNING:**

*To reduce the risk of electrical shock when servicing, turn off and lock out all power to the pump/dispenser. In submersible pump applications, turn off and lock out power to the submersible pump and any other pumps/dispensers which use that submersible pump. AC power can feed back into a shut-off dispenser when dispensers share a common submersible pump or starter relay. Always turn off and lock out all power to the dispenser and the submersible pump at the master panel and close any impact valve before performing maintenance or service to the dispenser, including the changing of any fuel filters or strainers. Also block islands so no vehicles can pull up to the dispenser when the dispenser is being worked on.*

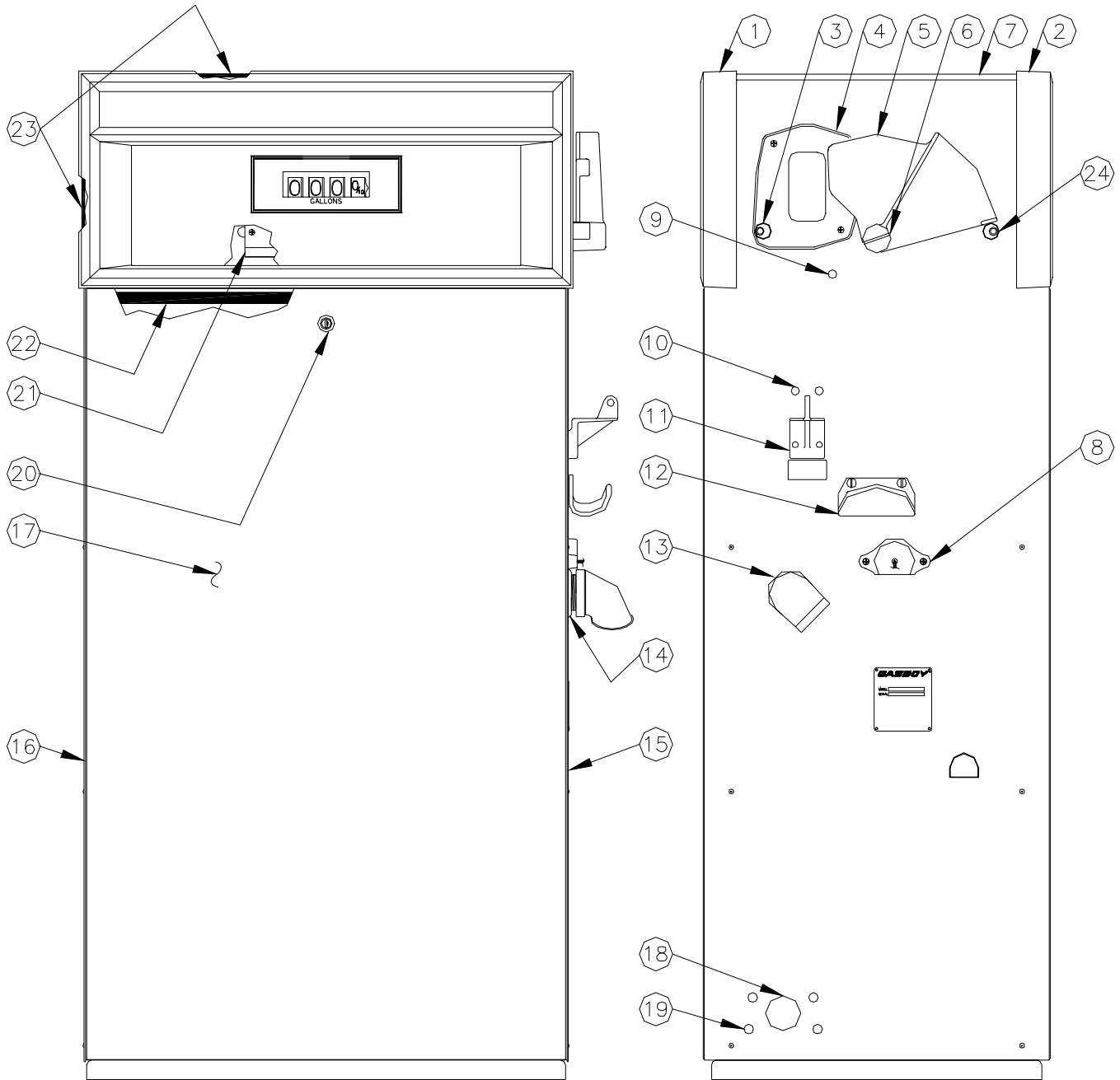
Suffixes used on discharge assemblies are defined as follows:

F = indicates the unit has a filter

PP = indicates the unit has a solenoid valve

S = indicates the unit has satellite piping

9100A SINGLE - FRONT AND SIDE VIEWS



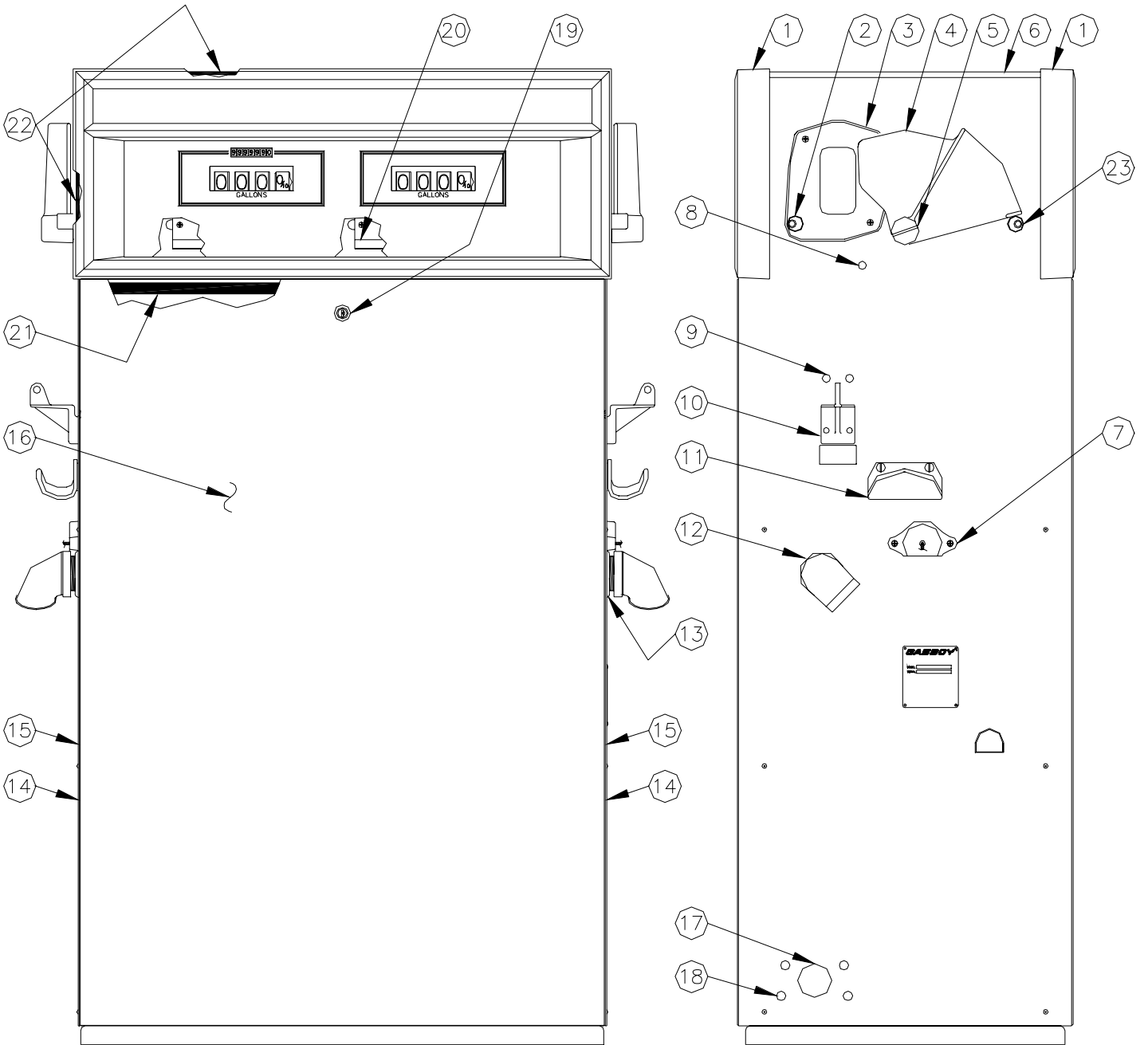


## 9100A SINGLE - FRONT AND SIDE VIEWS

Item	Part No.	Description
1		Dial Enclosure Assy., 9100A Single Non-Totalizer Side (See <b>Dial Enclosure</b> breakdown for your model.)
2		Dial Enclosure Assy., 9100A Single Totalizer Side (See <b>Dial Enclosure</b> breakdown for your model.)
3	063204	Eccentric Stop
4	003333	Boot, Nozzle
	003323	Boot, Nozzle, Vapor Recovery
5	003354	Control Lever
6	042657	Roll Pin
7	022452	Top Cover Weld, SS
	022453	Top Cover Weld, Painted (See Note)
		Top Cover, EK or Ticket Printer (See breakdown for <b>Electrical Keytrol</b> or <b>Ticket Printer</b> )
8		Hose Retriever (See breakdown.)
9	047217	Plug Button
10	047215	Plug Button
11	003732	Hook, Nozzle
	003719	Hook, Nozzle, Vapor Recovery and Ryder
12	003740	Hook, Hose
	003739	Hook, Hose, Ryder
13	024955	Elbow, Discharge, 3/4 x 90o
	024895	Elbow, Discharge, 1 x 90o
14	028930	Grommet, Discharge, 3/4"
	028960	Grommet, Discharge, 1"
15	041111	Right Side Panel, 9100A, SS
	041112	Right Side Panel, 9100A, Painted (See Note)
	041126	Right Side Panel, 9100A, Int. Ret., SS
	041127	Right Side Panel, 9100A, Int. Ret., Painted (See Note)
16	041123	Left Side Panel, 9100A, SS
	041124	Left Side Panel, 9100A, Painted (See Note)
17	040687	Panel and Lock Assy., SS
	040740	Panel and Lock Assy., Painted (See Note)
18	047211	Plug Button
19	047238	Plug Button, Small
20	035018	Lock and Key
21	025548	Dial Face
22	026838	Gasket, 1/4T x 1/2W x 6'
23	026839	Gasket, 1/16T x 1/2W x 12'
24	063204	Stop, Eccentric (Electric Reset)
	063023	Stop, Eccentric (Manual Reset)

**NOTE:** Specify standard color (black, white, red). If not a standard color, specify serial number of pump/dispenser.

9100A TWIN - FRONT AND SIDE VIEWS

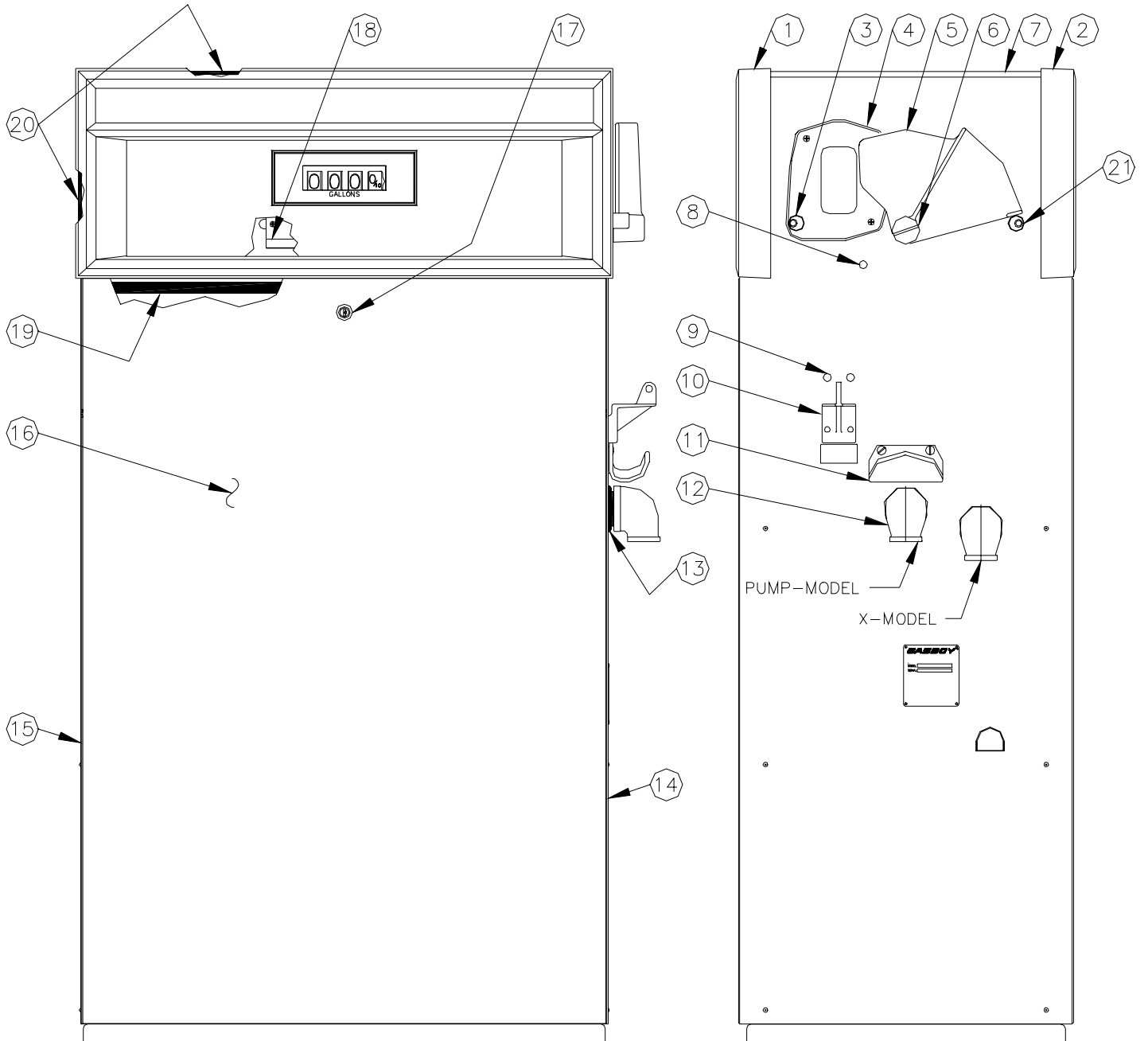


## 9100A TWIN - FRONT AND SIDE VIEWS

Item	Part No.	Description
1		Dial Enclosure Assy., 9100ATW (See <b>Dial Enclosure</b> breakdown for your model.)
2	063204	Eccentric Stop
3	003333	Boot, Nozzle
	003323	Boot, Nozzle, Vapor Recovery
4	003354	Control Lever
5	042657	Roll Pin
6	022454	Top Cover Weld, SS
	022455	Top Cover Weld, Painted (See Note)
		Top Cover, EK or Ticket Printer (See breakdown for <b>Electrical Keytrol</b> or <b>Ticket Printer</b> )
7		Hose Retriever (See breakdown.)
8	047217	Plug Button
9	047215	Plug Button
10	003732	Hook, Nozzle
	003719	Hook, Nozzle, Vapor Recovery and Ryder
11	003740	Hook, Hose
	003739	Hook, Hose, Ryder
12	024955	Elbow, Discharge, 3/4 x 90o
	024895	Elbow, Discharge, 1 x 90o
13	028930	Grommet, Discharge, 3/4"
	028960	Grommet, Discharge, 1"
14	041111	Side Panel, 9100AXTW, ATW1, SS
	041112	Side Panel, 9100AXTW, ATW1, Painted (See Note)
	041126	Side Panel, 9100AXTW, ATW1, Int. Ret., SS
	041127	Side Panel, 9100AXTW, ATW1, Int. Ret., Painted (See Note)
15	041113	Side Panel, 9100ATW2, 9153ATW1M, SS
	041114	Side Panel, 9100ATW2, 9153ATW1M, Painted (See Note)
	041128	Side Panel, 9100ATW2, 9153ATW1M, Int. Ret., SS
	041129	Side Panel, 9100ATW2, 9153ATW1M, Int. Ret., Painted (See Note)
16	040699	Panel and Lock Assy., SS
	040739	Panel and Lock Assy., Painted (See Note)
17	047211	Plug Button
18	047238	Plug Button, Small
19	035018	Lock and Key
20	025548	Dial Face
21	026838	Gasket, 1/4T x 1/2W x 6'
22	026839	Gasket, 1/16T x 1/2W x 12'
23	063204	Stop, Eccentric (Electric Reset)
	063023	Stop, Eccentric (Manual Reset)

**NOTE:** Specify standard color (black, white, red). If not a standard color, specify serial number of pump/dispenser.

9140A, 9140AX - FRONT AND SIDE VIEWS

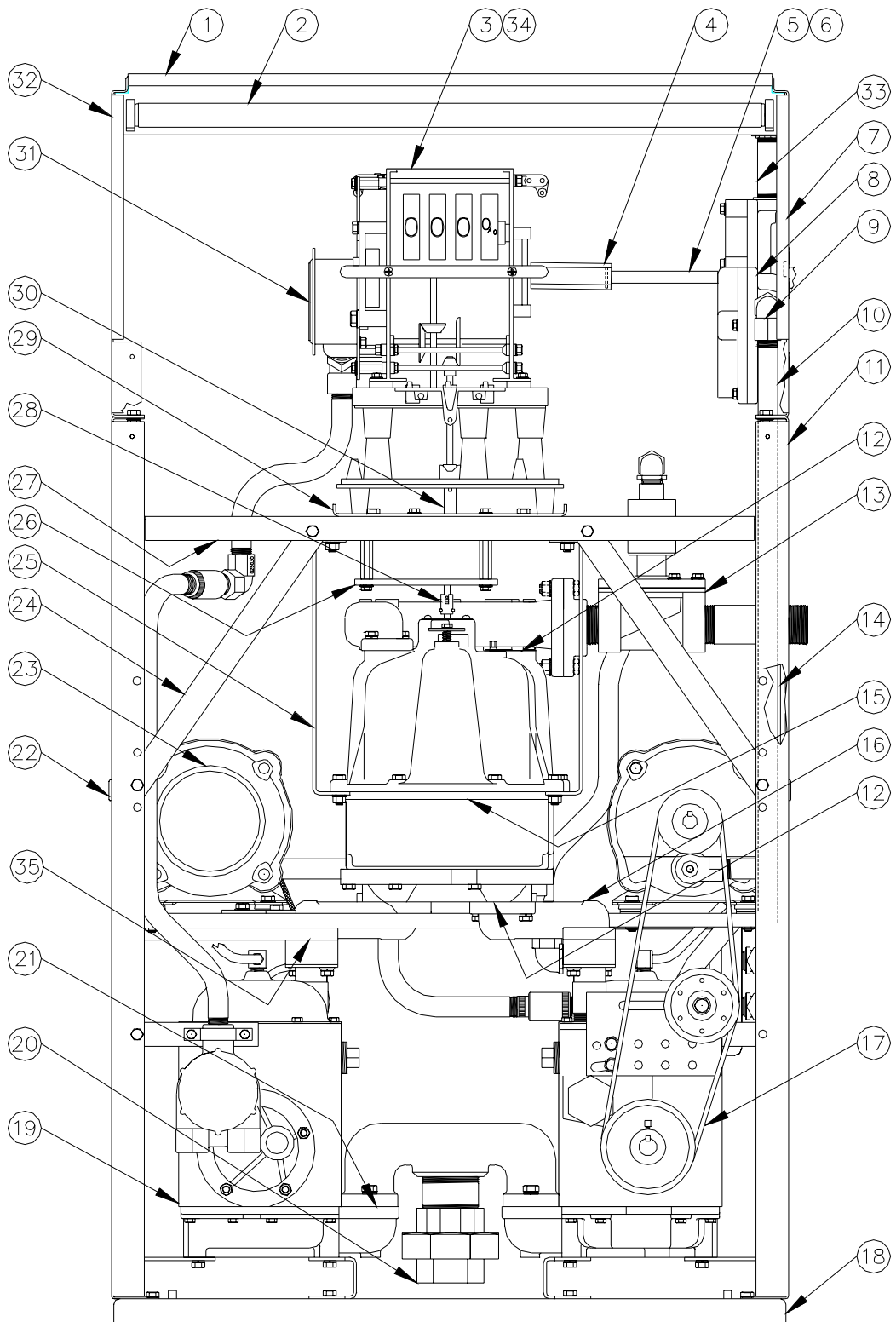


## 9140A, 9140AX - FRONT AND SIDE VIEWS

Item	Part No.	Description
1		Dial Enclosure Assy., 9140, Front, Non-totalizer (See <b>Dial Enclosure</b> breakdown for your model.)
		Dial Enclosure Assy., 9140, Front, Totalizer (See <b>Dial Enclosure</b> breakdown for your model.)
2		Dial Enclosure Assy., 9140, Rear, Totalizer (See <b>Dial Enclosure</b> breakdown for your model.)
3	063204	Eccentric Stop
4	003333	Boot, Nozzle
	003323	Boot, Nozzle, Vapor Recovery
5	003354	Control Lever
6	042657	Roll Pin
7	022454	Top Cover Weld, SS
	022455	Top Cover Weld, Painted (See Note)
Top Cover, EK or Ticket Printer (See breakdown for <b>Electrical Keytrol</b> or <b>Ticket Printer</b> )		
8	047217	Plug Button
9	047215	Plug Button
10	003732	Hook, Nozzle
11	003740	Hook, Hose
12	Z07941	Elbow, Discharge
	024874	Elbow, Discharge, 1-1/4 x 90o, 9140A w/filter
13	028976	Grommet, Discharge
14	041122	Side Panel, 9140A, SS
	041146	Side Panel, 9140A, Painted (See Note)
	041145	Side Panel, 9140AX, SS
	041147	Side Panel, 9140AX, Painted (See Note)
15	041123	Side Panel, Left, 9140A, SS
	041124	Side Panel, Left, 9140A, Painted (See Note)
16	040699	Panel and Lock Assy., SS
	040739	Panel and Lock Assy., Painted (See Note)
17	035018	Lock and Key
18	025548	Dial Face
19	026838	Gasket, 1/4T x 1/2W x 6'
20	026839	Gasket, 1/16T x 1/2W x 12'
21	063204	Stop, Eccentric (Electric Reset)
	063023	Stop, Eccentric (Manual Reset)

**NOTE:** Specify standard color (black, white, red). If not a standard color, specify serial number of pump/dispenser.

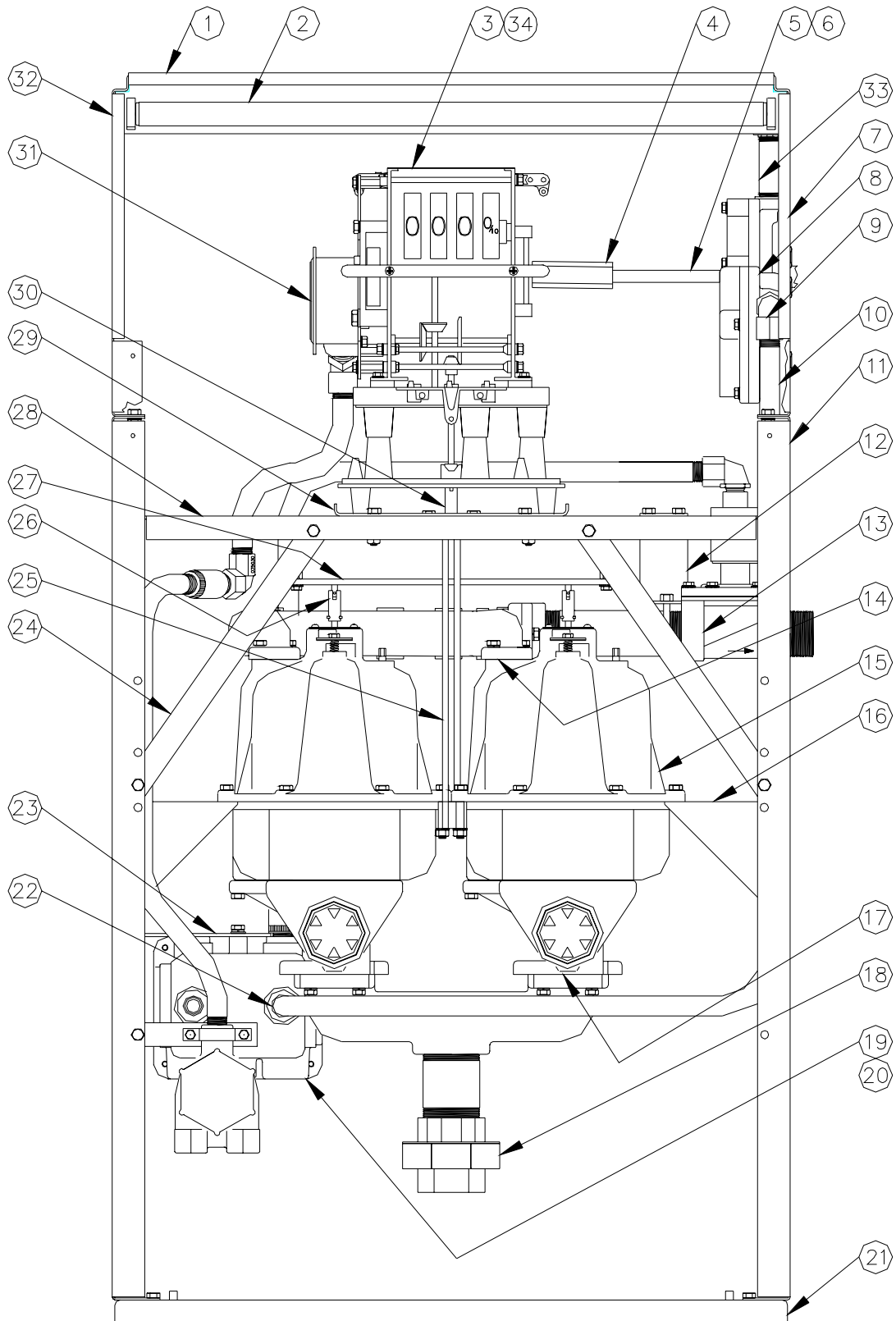
### 9140A CHASSIS ASSEMBLY



## 9140A CHASSIS ASSEMBLY

Item	Part No.	Description
1	026779	Frame, Top Assy.
	022491	Frame, Top, EK & TP
2	033455	Lamp Assy., 115V, 60 Hz.
	033461	Lamp Assy., 230V, 60 Hz.
	033456	Lamp Assy., 230V, 50 Hz.
3	021079	Non-Computer, Gallon
	021071	Non-Computer, Liter
4	021883	Coupling, Reset/Computer, Electric
5	022508	Coupling, Reset/Computer
6	042615	Groove Pin, 1/8 x 1
7	022474	Frame, Top Side
8		Reset Assy. (See table in breakdown <b>Electric Reset</b> )
9	025045	Elbow, Conduit, 1/2 x 90o M/F
10	022504	Conduit, Reset
11	026777	Frame Side Lower
12	027004	Gasket
13		Discharge Assy. (See breakdown for your model)
14	015069	Discharge Bracket Support
15		Meter Assy. (See breakdown <b>Meter Assembly</b> )
16	015059	Manifold
17	012163	Belt, Vee, 47370-A35, 60 Hz units
	012164	Belt, UL390-A37, 50 Hz units built after serial number 486698.
18	022314	Base Weld Assy.
19	048773	Pumping Unit Assy. (See breakdown)
20	035162	Manifold Assy. (See breakdown)
21	027001	Gasket, Pump Inlet
22	058021	Grommet
23	037430	Motor Assy., 60 Hz. (See breakdown <b>9100A Motor</b> )
	037431	Motor Assy., 50 Hz. (See breakdown <b>9100A Motor</b> )
24	015514	Column Brace
25	015126	Bracket, Meter Support
26	024759	Differential Assy., 9140A
27	063978	Support, Meter Weld
28	022462	Coupling, Meter Gear Train
29	046702	Plate, Support Reg
30	022461	Coupling, Gear Train, Computer
31		Pulser Assy., CX, 10:1 (See breakdown for your model)
		Pulser Assy., CC, 100:1 (See breakdown for your model)
		(For field retrofit kits, see <b>9100A Kits and Accessories</b> later in this manual)
32	022475	Frame, Top Side
33	021364	Conduit, 1/2 x 3-1/2
34	S00525	Mechanical Totalizer
35		Flange Assembly (See <b>Flange Assembly</b> breakdown)

### 9140AX CHASSIS

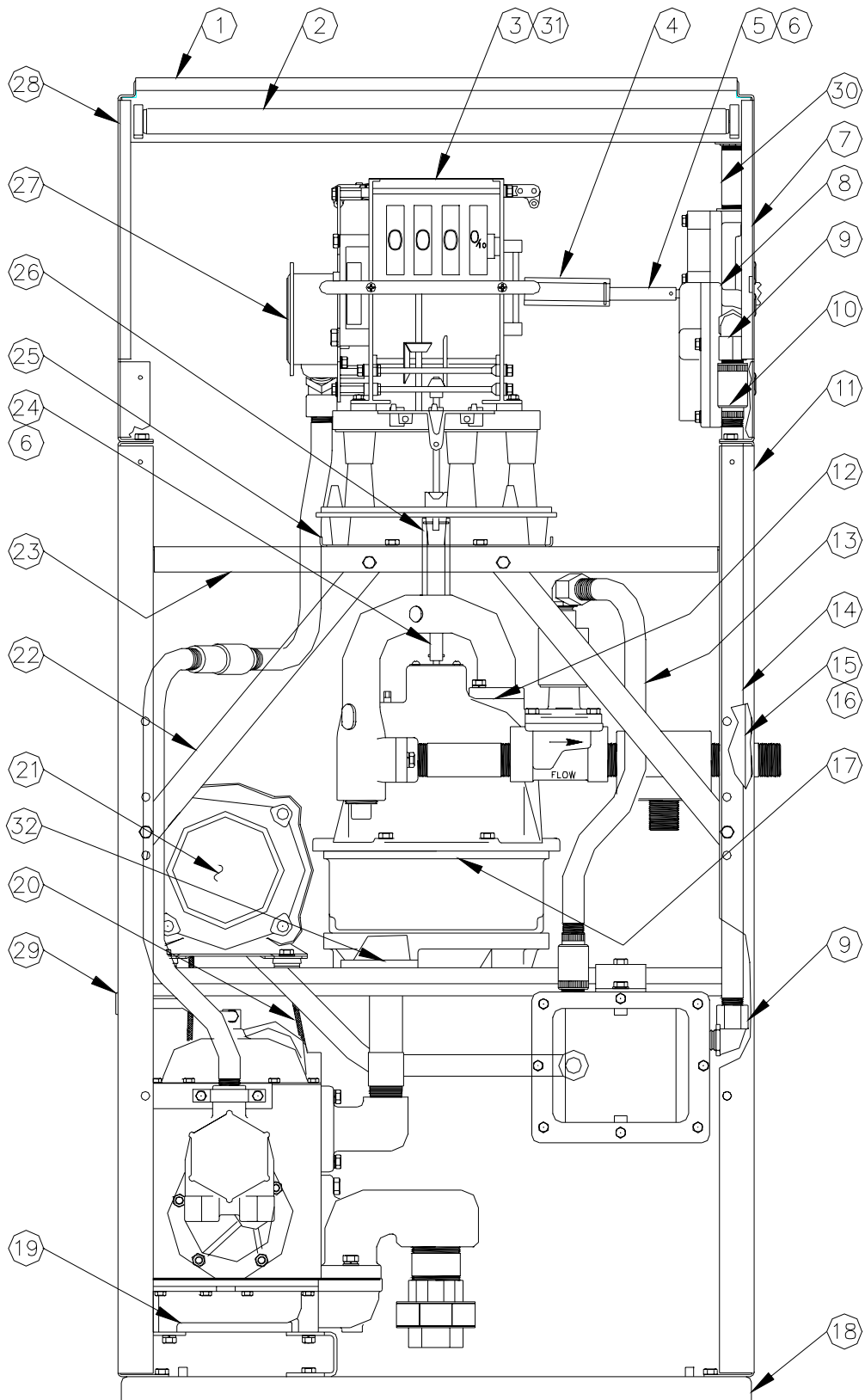




## 9140AX CHASSIS

Item	Part No.	Description
1	026779	Frame, Top
	022491	Frame, Top, 9100ATW EK & TP
2		Lamp Assembly
	033454	Lamp Assy, Twin, 115V/60 Hz.
	033460	Lamp Assy, Twin, 230V/60 Hz.
	033458	Lamp Assy, Twin, 230V/50 Hz.
3	021079	Non-Computer, Gallon
	021071	Non-Computer, Liter
4	021883	Coupling, Reset to Computer, Electric
5	022508	Coupling, Reset/Computer
6	042615	Groove Pin, 1/8 x 1
7	022474	Frame, Top Side
8		Reset Assy. <i>(See breakdown for your model)</i>
9	025045	Elbow, Conduit, 1/2 x 90o M/F
10	069736	Conduit, Reset
11	026777	Frame, Side Lower
12	015988	Bracket, Discharge
13		Discharge Assy., <i>(See breakdown for your model)</i>
14	027004	Gasket
15		Meter Assy., <i>(See breakdown for your model)</i>
16	015523	Bracket, Meter Support
17	027005	Gasket
18	035161	Manifold Assy., <i>(See breakdown for your model)</i>
19	003116	AC Junction Box
20	003117	AC Junction Box Cover
21	022314	Base Weld Assy.
22	066400	1/2" UNY Explosion-proof Cond Union
23	014781	Bracket, AC Box Mounting
24	015514	Column Brace
25	015453	Bracket, Meter Mounting
26	022460	Coupling, Meter, Gear Train
27	024758	Differential Assy., 9140AX
28	022449	Column Register Assy.
29	046702	Platform, Computer
30	022461	Coupling, Gear Train, Computer, 9140A
31		Pulser Assy., CX, 10:1 <i>(See breakdown for your model)</i>
		Pulser Assy., CC, 100:1 <i>(See breakdown for your model)</i>
		<i>(For field retrofit kits, see <b>9100A Kits and Accessories</b> later in this manual)</i>
32	022475	Frame, Top Side
33	021364	Conduit, 1/2 x 3-1/2
34	S00525	Mechanical Totalizer

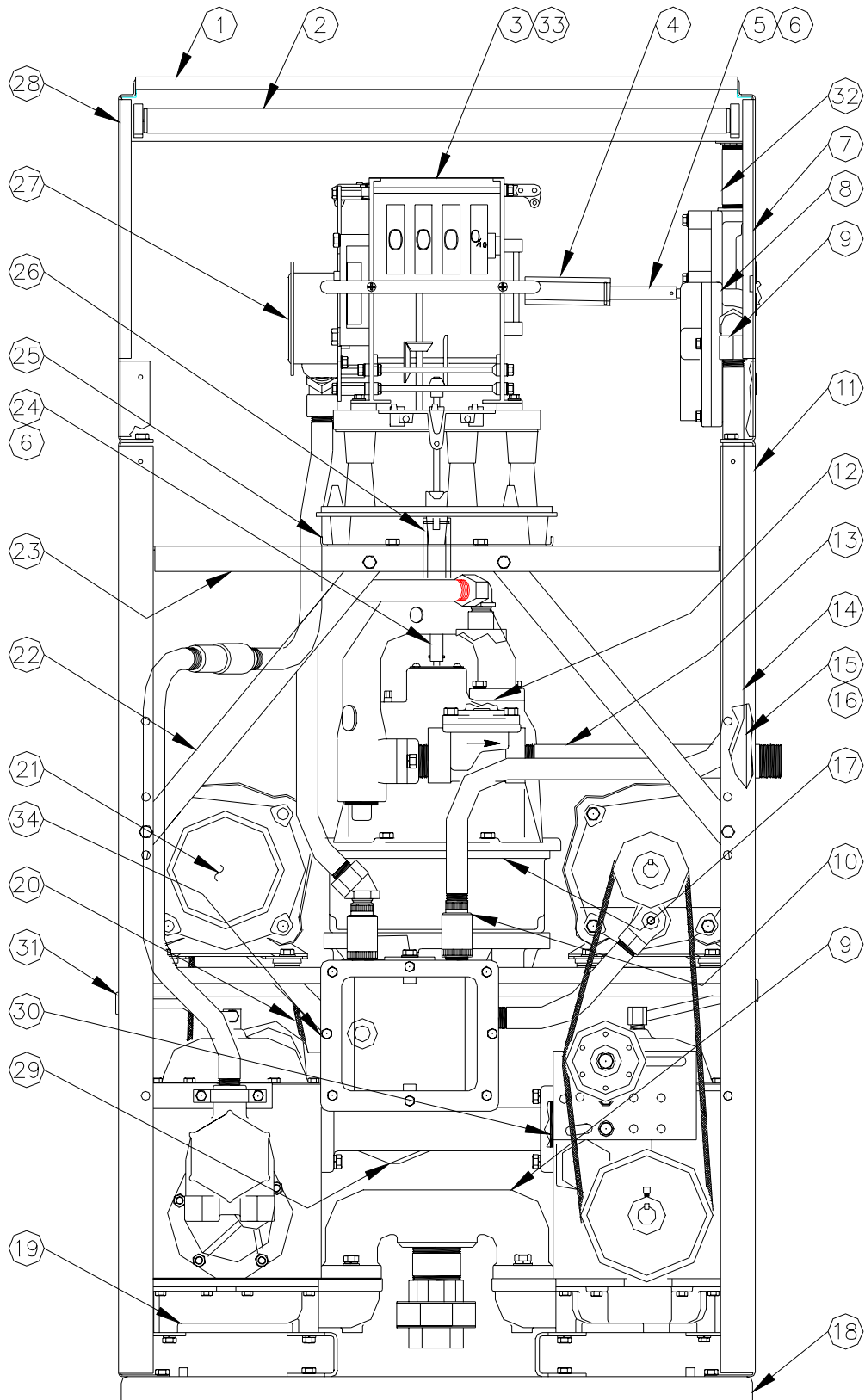
9152A, 9153A CHASSIS ASSEMBLY



## 9152A, 9153A CHASSIS ASSEMBLY

Item	Part No.	Description
1	026778	Frame, Top Assy.
	022490	Frame, Top, EK & TP
2	033455	Lamp Assy., 115V, 60 Hz.
	033457	Lamp Assy., 115V, 50 Hz.
	033461	Lamp Assy., 230V, 60 Hz.
	033456	Lamp Assy., 230V, 50 Hz.
3	021079	Non-Computer, Gallon
	021071	Non-Computer, Liter
4	021883	Coupling, Reset/Computer, Electric
5	021884	Coupling, Inner Reset/Computer
6	042656	Groove Pin, 1/8 x 1
7	022474	Frame, Top Side
8		Reset Assy. (See table in breakdown <b>Electric Reset</b> )
9	025045	Elbow, Conduit
10	066400	1/2 UNY Explosion-proof Conduit Union
11	026777	Frame Side Lower
12	027004	Gasket
13		Discharge Assy. (See breakdown for your model)
14	021893	Conduit, Reset/AC Box
15	015478	Discharge Bracket, Inner
16	015479	Discharge Bracket, Outer
17		Meter Assy. (See breakdown <b>Meter Assembly</b> )
18	022321	Base Weld Assy.
19	048740	Pumping Unit Assy., 9152A (See breakdown)
	048738	Pumping Unit Assy., 9153A (See breakdown)
20	012164	Belt, Vee, A37, 9152A, 50 Hz.
	012122	Belt, Vee, A36, 9153A, 9152A 60 Hz; 9153A, 50 Hz.
21	037349	Motor Assy. (See breakdown <b>9100A Motor</b> )
22	015514	Column Brace
23	022448	Column Register Assy.
24	021882	Coupling, Inner, Meter/Computer
25	046701	Plate, Support Reg
26	021883	Coupling
27		Pulser Assy., CX, 10:1 (See breakdown for your model)
		Pulser Assy., CC, 100:1 (See breakdown for your model)
		(For field retrofit kits, see <b>9100A Kits and Accessories</b> later in this manual)
28	022475	Frame, Top Side
29	058021	Grommet
30	021364	Conduit, 1/2 x 3-1/2
31	S00525	Mechanical Totalizer
32		Flange Assembly (See <b>Flange Assembly</b> breakdown)

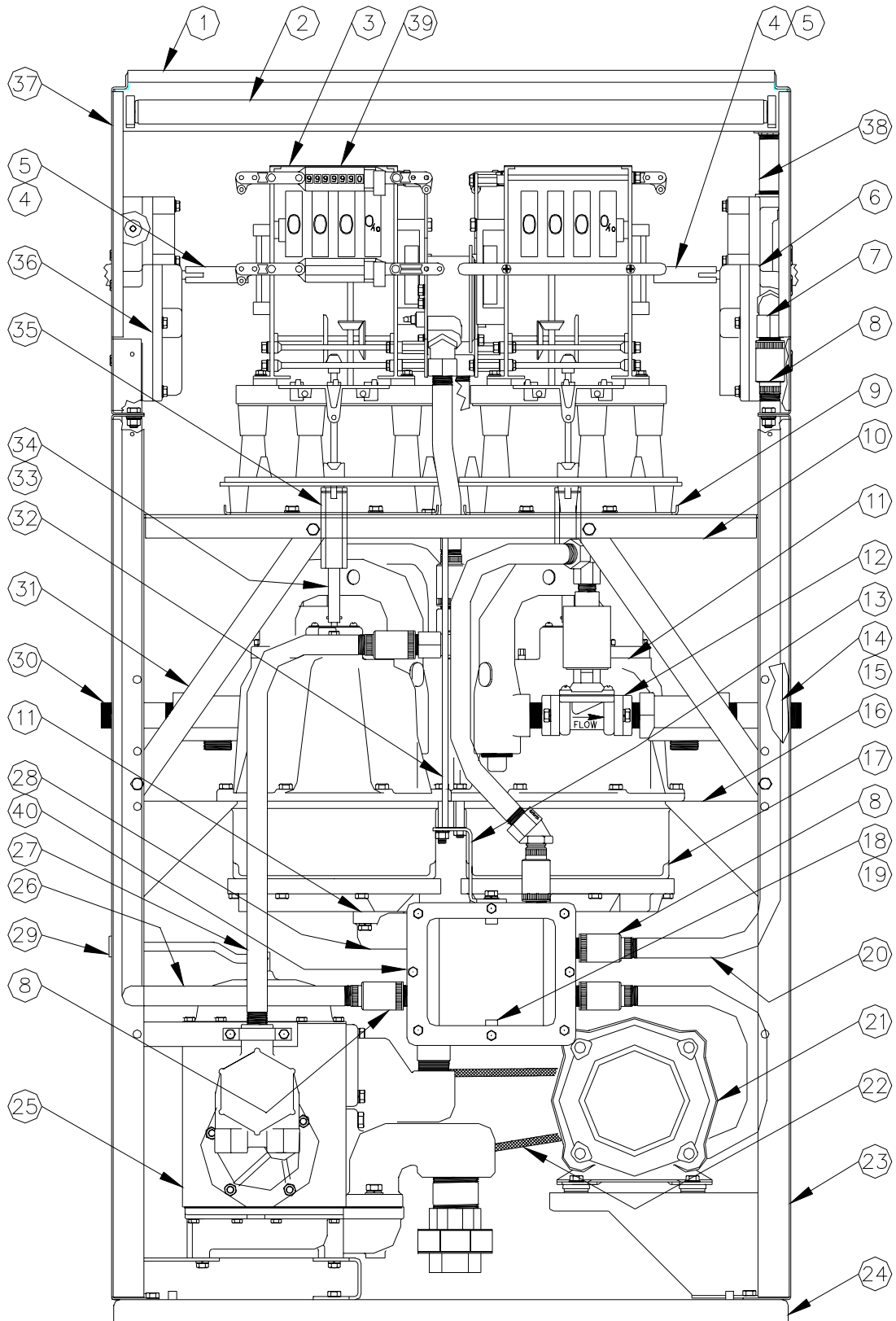
### 9153AHC CHASSIS ASSEMBLY



## 9153AHC CHASSIS ASSEMBLY

Item	Part No.	Description
1	026778	Frame, Top Assy.
	022490	Frame, Top, EK & TP
2	033455	Lamp Assy., 115V, 60 Hz.
	033457	Lamp Assy., 115V, 50 Hz.
	033461	Lamp Assy., 230V, 60 Hz.
	033456	Lamp Assy., 230V, 50 Hz.
3	021079	Non-Computer, Gallon
	021071	Non-Computer, Liter
4	021883	Coupling, Reset/Computer, Electric
5	021884	Coupling, Inner Reset/Computer
6	042656	Groove Pin, 1/8 x 1
7	022474	Frame, Top Side
8		Reset Assy. (See table in breakdown <b>Electric Reset</b> )
9	035291	Manifold Assy. (See breakdown)
10	066400	1/2 UNY Explosion-proof Conduit Union
11	026777	Frame Side Lower
12	027004	Gasket
13		Discharge Assy. (See breakdown for your model)
14	069715	Conduit, Reset/AC Box
15	015478	Discharge Bracket, Inner
16	015479	Discharge Bracket, Outer
17		Meter Assy. (See breakdown <b>Meter Assembly</b> )
18	022321	Base Weld Assy.
19	048765	Pumping Unit Assy. (See breakdown)
20	012121	Belt, Vee, A38
21	037350	Motor Assy., 60 Hz. (See breakdown <b>9100A Motor</b> )
	037348	Motor Assy., 50 Hz. (See breakdown <b>9100A Motor</b> )
22	015514	Column Brace
23	022448	Column Register Assy.
24	021882	Coupling, Inner, Meter/Computer
25	046701	Plate, Support Reg
26	021883	Coupling
27		Pulser Assy., CX, 10:1 (See breakdown for your model)
		Pulser Assy., CC, 100:1 (See breakdown for your model)
		(For field retrofit kits, see <b>9100A Kits and Accessories</b> later in this manual)
28	022475	Frame, Top Side
29	024313	Pump Discharge Assy. (See breakdown)
30	027003	Gasket
31	058021	Grommet
32	021364	Conduit, 1/2 x 3-1/2
33	S00525	Mechanical Totalizer
34		Flange Assembly (See <b>Flange Assembly</b> breakdown)

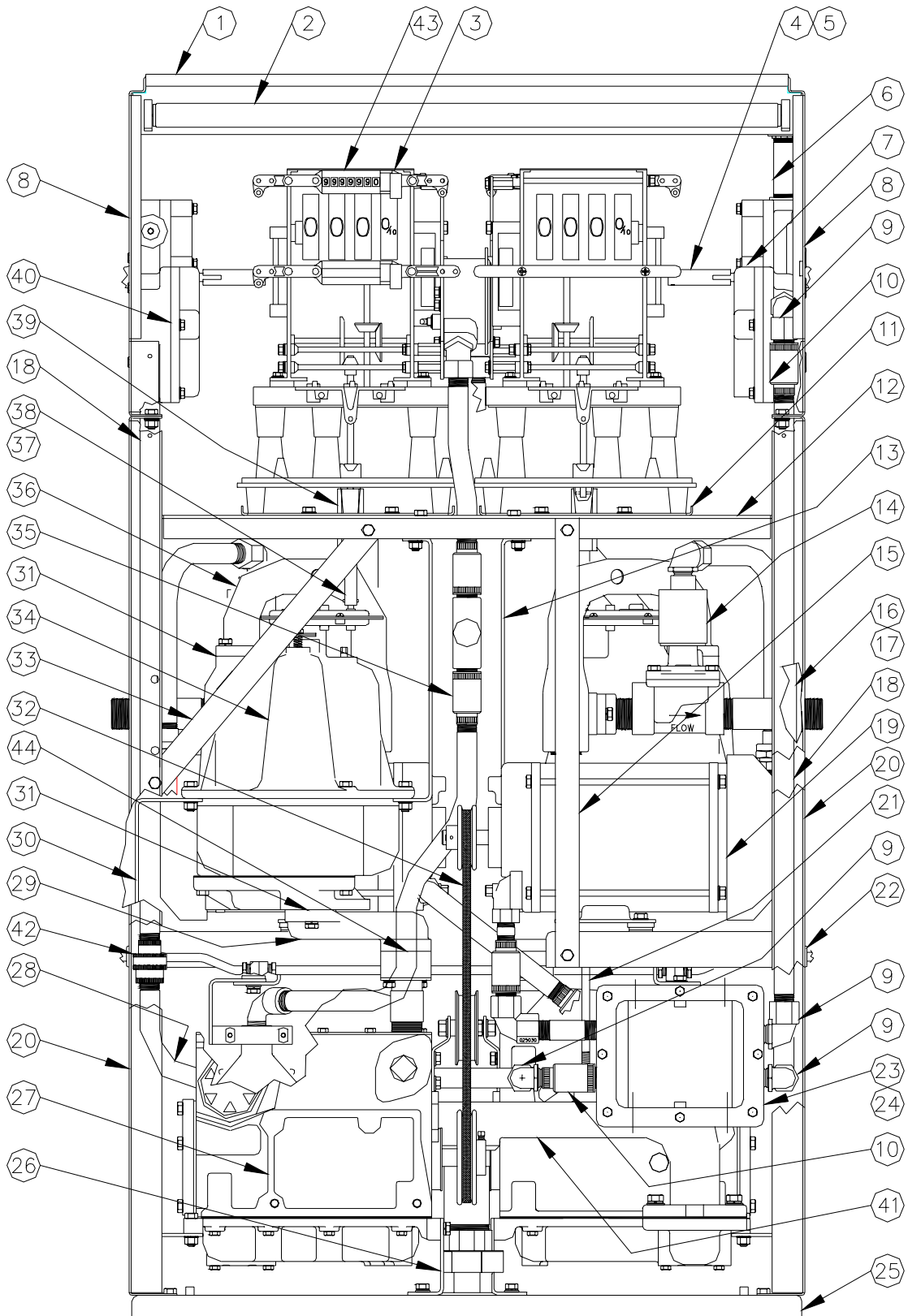
### 9152ATW1 CHASSIS ASSEMBLY



**9152ATW1 CHASSIS ASSEMBLY**

Item	Part No.	Description	Item	Part No.	Description
1	026779	Frame, Top	26	069729	Conduit, Left Side Reset
	022491	Frame, Top, EK & TP	27		Pulser Assy., 10:1, (See <i>breakdown</i> )
2	033454	Lamp Assy, Twin, 115V/60 Hz.			Pulser Assy., 100:1, (See <i>breakdown</i> )
	033460	Lamp Assy, Twin, 230V/60 Hz.			(For field retrofit kits, see <b>9100A Kits and Accessories</b> later in this manual)
	033459	Lamp Assy, Twin, 115V/50 Hz.			
	033458	Lamp Assy, Twin, 230V/50 Hz.			
3	021079	Non-Computer, Gallon			
	021071	Non-Computer, Liter			
4	022469	Coupling, Reset to Computer, Electric	28	035316	Transfer Body Manifold
			29	058021	Grommet
5	042655	Pin, Drive Lok, 5/32 x 1	30		Discharge Assy., Left (See <i>breakdown for your model</i> )
6		Reset Assy. (See table in <i>breakdown Electric Reset</i> )	31	015514	Column Brace
7	025045	Elbow, Conduit, 1/2 x 90o M/F	32	015699	Bracket, Meter Mounting, Weld
8	066400	1/2 UNY Explosion-proof Conduit Union	33	021882	Coupling, Inner, Meter/Computer
9	046701	Plate, Support Reg	34	042656	Groove Pin, 1/8 x 1
10	022449	Column Register Assy.	35	021883	Coupling, Reset/Computer, Electric
11	027004	Gasket			Reset Assy. (See table in <i>breakdown Electric Reset</i> )
12		Discharge Assy., Right (See <i>breakdown for your model</i> )	36		
13	015785	Bracket, AC Box, Mounting	37	022474	Frame, Top Side
14	015478	Discharge Bracket, Inner	38	021364	Conduit, 1/2 x 3-1/2
15	015479	Discharge Bracket, Outer	39	S00525	Mechanical Totalizer
16	015523	Bracket, Meter Support	40		Flange Assembly (See <b>Flange Assembly</b> <i>breakdown</i> )
17		Meter Assy. (See <i>breakdown Meter Assembly</i> )			
18	003116	AC Junction Box			
19	003117	AC Junction Box Cover			
20	069728	Conduit, Reset/AC Box, RS			
21	037352	Motor Assy., 60 Hz. (See <i>breakdown</i> )			
	037356	Motor Assy., 50 Hz. (See <i>breakdown</i> )			
22	012175	Belt, A41			
23	026777	Frame Side, Lower			
24	022314	Base Weld Assy.			
25	048742	Pumping Unit Assy. (See <i>breakdown</i> )			

### 9153ATW1M CHASSIS ASSEMBLY

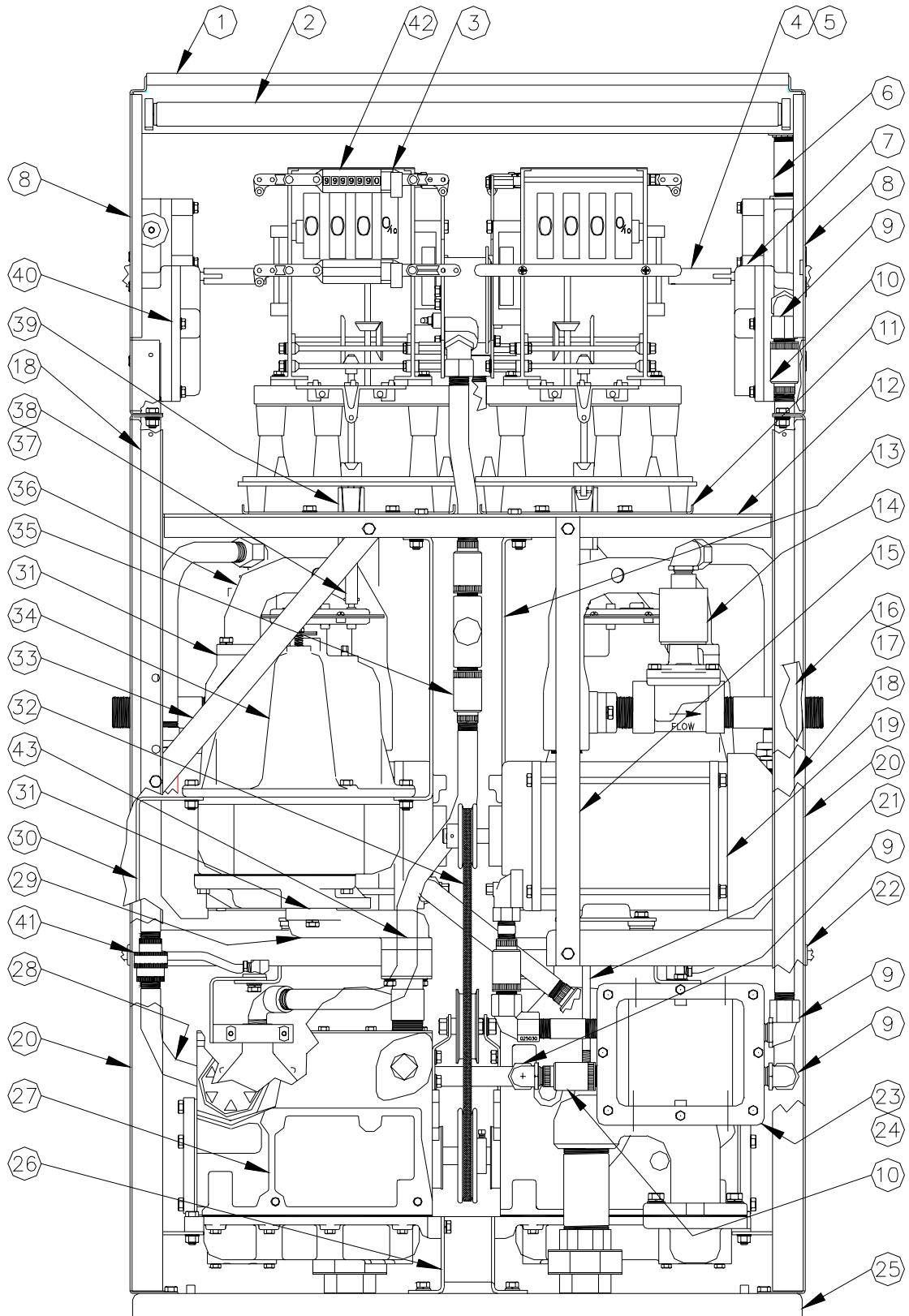




## 9153ATW1M CHASSIS ASSEMBLY

Item	Part No.	Description	Item	Part No.	Description
1	026779	Frame, Top	26	015522	Bracket, Pump Support
	022491	Frame, Top, EK & TP	27	048743	Pumping Unit Assy, Gas (See <i>breakdown</i> )
2	033454	Lamp Assy, Twin, 115V/60 Hz.		048746	Pumping Unit Assy, Dsl (See <i>breakdown</i> )
	033460	Lamp Assy, Twin, 230V/60 Hz.	28	023181	Conduit, Left Reset Lower
	033459	Lamp Assy, Twin, 115V/50 Hz.	29	035317	Manifold
	033458	Lamp Assy, Twin, 230V/50 Hz.	30	063024	Meter Mounting Bracket
3	021079	Non-Computer, Gallon	31	027004	Gasket
	021071	Non-Computer, Liter	32	012163	Belt, Vee, A35
4	022469	Coupling, Reset to Computer, Manual	33	015514	Column Brace
5	042655	Pin, Drive-Lok, 5/32 x 1	34		Meter Assy.
6	021364	Conduit, 1/2 x 3-1/2 Reset Assy. (See <i>table in breakdown</i> <b>Electric Reset</b> )	35		Pulser Assy., CX, 10:1 (See <i>breakdown for your model</i> )
8	022474	Frame, Top Side			Pulser Assy., CC, 100:1 (See <i>breakdown for your model</i> )
9	025045	Elbow, Conduit, 1/2 x 90o M/F			(For field retrofit kits, see <b>9100A Kits and Accessories</b> later in this manual)36
10	066400	1/2 UNY Explosion-proof Conduit Union			Discharge Assy. (See <i>breakdown for your model</i> )
11	046701	Plate, Support Reg	37	042656	Groove Pin, 1/8 x 1
12	022449	Column Register Assy.	38	021882	Coupling, Inner, Meter/Computer
13	015688	Bracket, Meter Mounting	39	021883	Coupling, Reset/Computer, Electric
14		Discharge Assy., Right (See <i>breakdown for your model</i> )	40		Reset Assy. (See <i>table in breakdown</i> <b>Electric Reset</b> )
15	015689	Support Strap	41	035290	Manifold Assy. (See <i>breakdown</i> )
16	015478	Bracket, Discharge, Inner	42	C08125	Conduit Union, 1/2"
17	015479	Bracket Discharge, Outer	43	S00525	Mechanical Totalizer
18	021887	Conduit, Right Reset	44		Flange Assembly (See <b>Flange Assembly</b> <i>breakdown</i> )
19		Motor Assy., Right (See <i>breakdown</i> )			
20	026777	Frame Side Lower			
21		Support Assy. (See <i>breakdown</i> )			
22	058021	Grommet			
23	003117	AC Junction Box Cover			
24	003116	AC Junction Box			
25	022314	Base Weld Assy.			

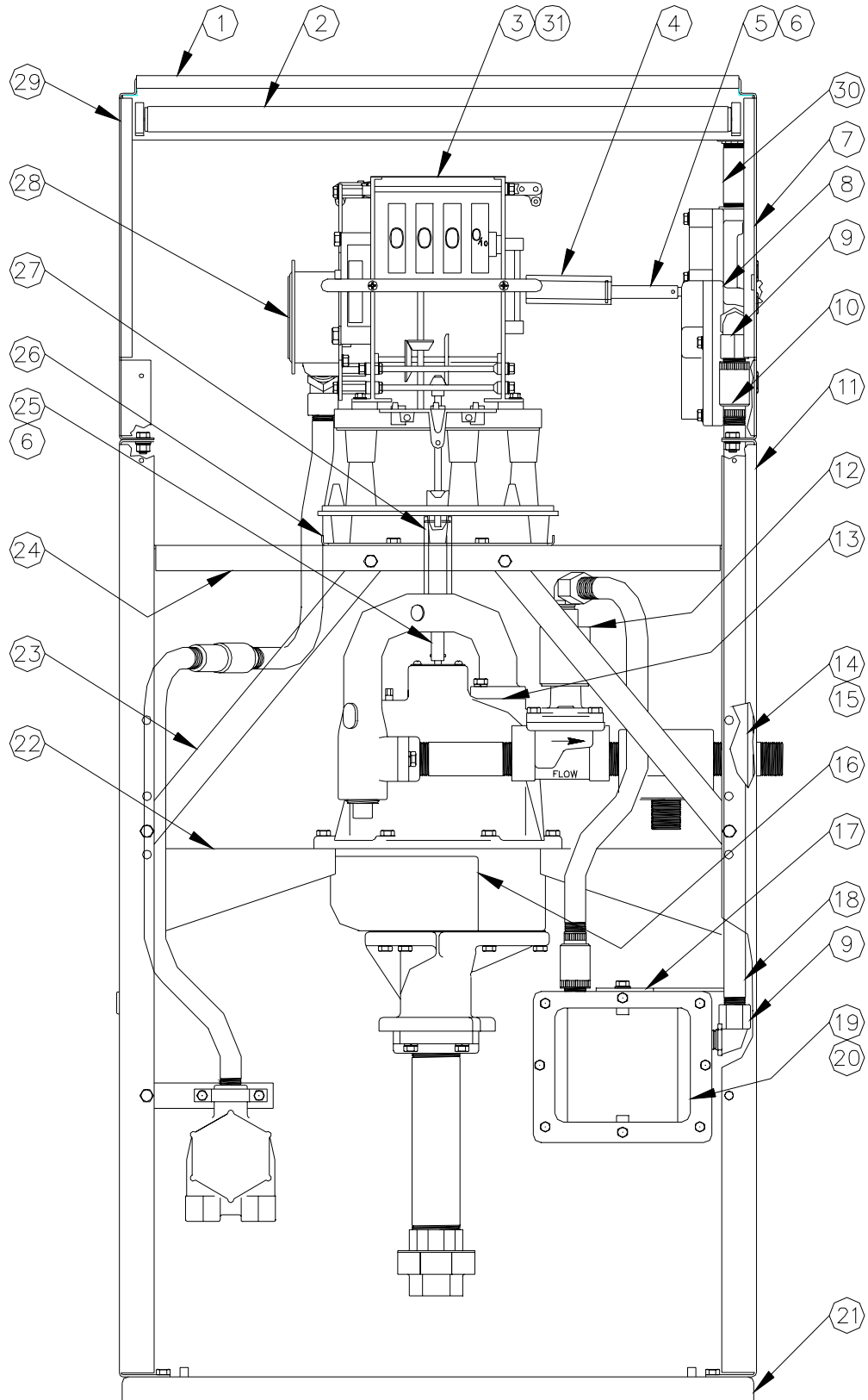
### 9152ATW2, 9153ATW2 CHASSIS ASSEMBLY



## 9152ATW2, 9153ATW2 CHASSIS ASSEMBLY

Item	Part No.	Description	Item	Part No.	Description
1	026779	Frame, Top	29	035317	Manifold
	022491	Frame, Top, EK & TP	30	063024	Meter Mounting Bracket
2	033454	Lamp Assy, Twin, 115V/60 Hz.	31	027004	Gasket
	033460	Lamp Assy, Twin, 230V/60 Hz.	32	012163	Belt, Vee, A35
	033459	Lamp Assy, Twin, 115V/50 Hz.	33	015514	Column Brace
	033458	Lamp Assy, Twin, 230V/50 Hz.	34		Meter Assy.
3	021079	Non-Computer, Gallon	35		Pulser Assy., CX, 10:1 (See <i>breakdown for your model</i> )
	021071	Non-Computer, Liter			Pulser Assy., CC, 100:1 (See <i>breakdown for your model</i> )
4	022469	Coupling, Reset to Computer, Manual			(For field retrofit kits, see <b>9100A Kits and Accessories</b> later in this manual)
5	042655	Pin, Drive-Lok, 5/32 x 1			Discharge Assy. (See <i>breakdown for your model</i> )
6	021364	Conduit, 1/2 x 3-1/2 Reset Assy. (See table in <i>breakdown Electric Reset</i> )	36		
8	022474	Frame, Top Side	37	042656	Groove Pin, 1/8 x 1
9	025045	Elbow, Conduit, 1/2 x 90° M/F	38	021882	Coupling, Inner, Meter/Computer
10	066400	1/2 UNY Explosion-proof Conduit Union	39	021883	Coupling, Reset/Computer, Electric
11	046701	Plate, Support Reg	40		Reset Assy. (See table in <i>breakdown Electric Reset</i> )
12	022449	Column Register Assy.	41	C08125	Conduit Union, 1/2"
13	015688	Bracket, Meter Mounting	42	S00525	Mechanical Totalizer
14		Discharge Assy., Right (See <i>breakdown for your model</i> )	43		Flange Assembly (See <b>Flange Assembly</b> breakdown)
15	015689	Support Strap			
16	015478	Bracket, Discharge, Inner			
17	015479	Bracket Discharge, Outer			
18	021887	Conduit, Right Reset			
19		Motor Assy., Right (See <i>breakdown</i> )			
20	026777	Frame Side Lower			
21		Support Assy. (See <i>breakdown</i> )			
22	058021	Grommet			
23	003117	AC Junction Box Cover			
24	003116	AC Junction Box			
25	022314	Base Weld Assy.			
26	015528	Bracket, Pump Support			
27	048730	Pumping Unit Assy, 9152A (See <i>breakdown</i> )			
	048741	Pumping Unit Assy, 9153A (See <i>breakdown</i> )			
28	023181	Conduit, Left Reset Lower			

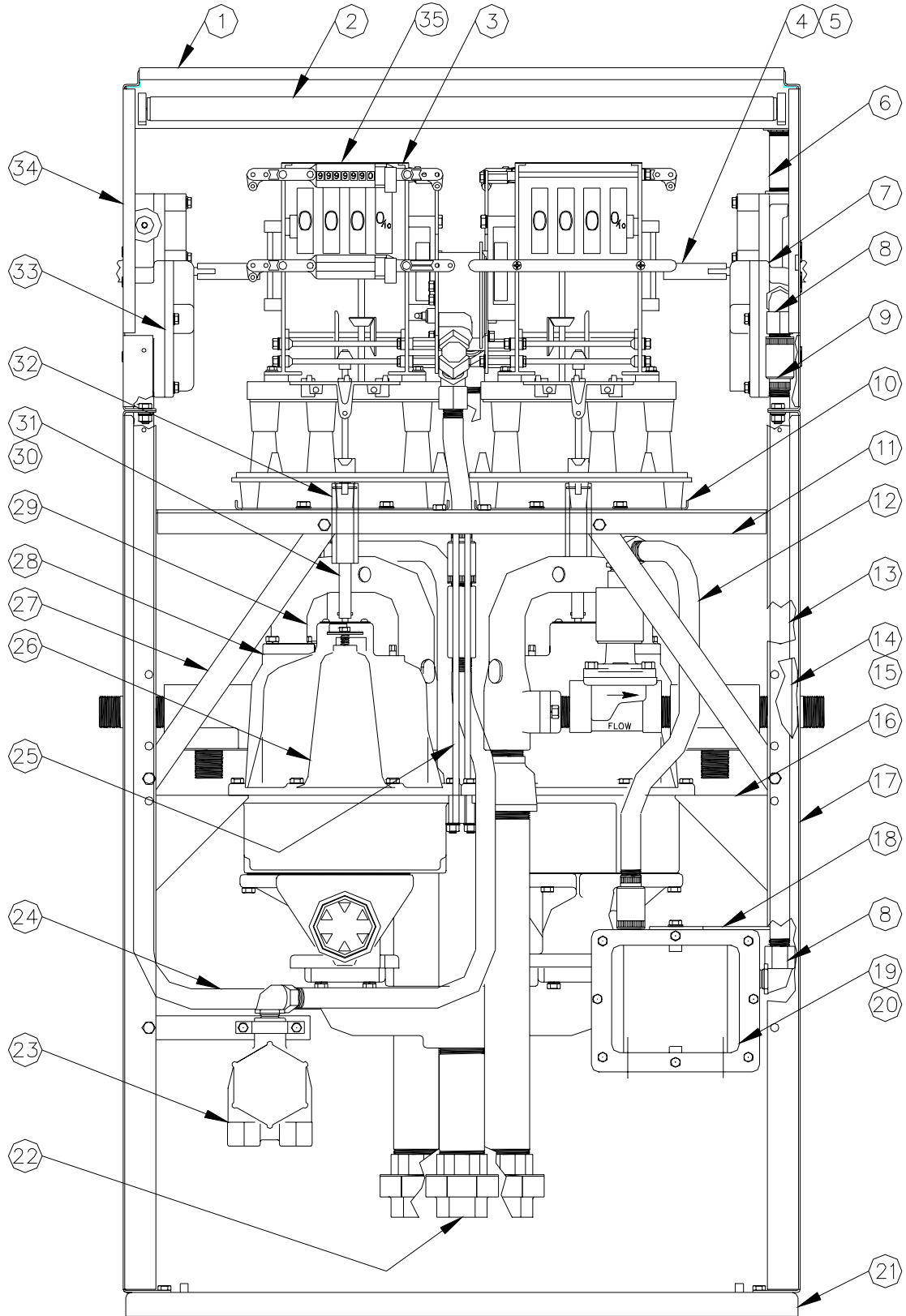
### 9152AX, 9153AX CHASSIS ASSEMBLY



## 9152AX, 9153AX CHASSIS ASSEMBLY

Item	Part No.	Description
1	026778	Frame, Top
	022490	Frame, Top, EK & TP
2	033455	Lamp Assy., 115V, 60 Hz.
	033457	Lamp Assy., 115V, 50 Hz.
	033461	Lamp Assy., 230V, 60 Hz.
	033456	Lamp Assy., 230V, 50 Hz.
3	021079	Non-Computer, Gallon
	021071	Non-Computer, Liter
4	021883	Coupling, Reset/Computer, Electric
5	021884	Coupling, Inner Reset/Computer
6	042656	Groove Pin, 1/8 x 1
7	022474	Frame, Top Side
8		Reset Assy. (See table in breakdown <b>Electric Reset</b> )
9	025045	Elbow, Conduit, 1/2 x 90o M/F
10	066400	1/2 UNY Explosion-proof Conduit Union
11	026777	Frame Side Lower
12		Discharge Assy., Right (See breakdown for your model)
13	027004	Gasket
14	015478	Discharge Bracket, Inner
15	015479	Discharge Bracket, Outer
16		Meter Assy. (See breakdown <b>Meter Assembly</b> )
17	014781	Bracket, AC Box, Mounting
18	021893	Conduit, Reset/AC Box
19	003116	AC Junction Box
20	003117	AC Junction Box Cover
21	022321	Base Weld Assy.
22	015529	Bracket, Meter Support
23	015514	Column Brace
24	022448	Column, Register Assy.
25	021882	Coupling, Inner, Meter/Computer
26	046701	Plate, Support Reg
27	021883	Coupling, Reset/Computer, Electric
28		Pulser Assy., CX, 10:1 (See breakdown for your model)
		Pulser Assy., CC, 100:1 (See breakdown for your model)
		(For field retrofit kits, see <b>9100A Kits and Accessories</b> later in this manual)
29	022475	Frame, Top Side
30	021364	Conduit, 1/2 x 3-1/2
31	S00525	Mechanical Totalizer

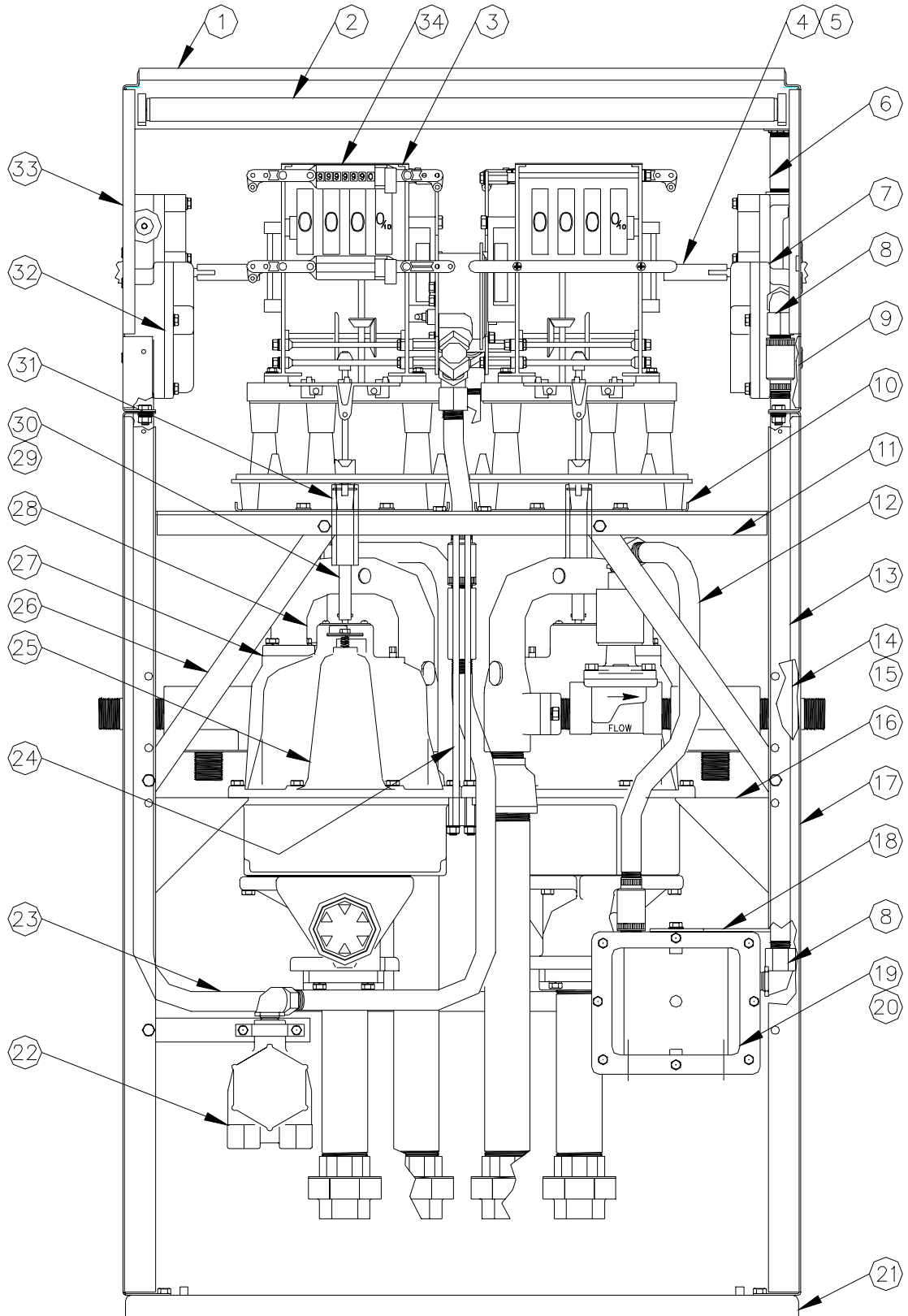
9152AXTW1, 9153AXTW1 CHASSIS ASSEMBLY



## 9152AXTW1, 9153AXTW1 CHASSIS ASSEMBLY

Item	Part No.	Description
1	026779	Frame, Top
	022491	Frame, Top, 9100ATW EK & TP
2	033454	Lamp Assy, Twin, 115V/60 Hz.
	033460	Lamp Assy, Twin, 230V/60 Hz.
	033459	Lamp Assy, Twin, 115V/50 Hz.
	033458	Lamp Assy, Twin, 230V/50 Hz.
3	021079	Non-Computer, Gallon
	021071	Non-Computer, Liter
4	021933	Coupling, Reset to Computer, Electric
5	042655	Pin, Drive-Lok, 5/32 x 1
6	021364	Conduit, 1/2 x 3-1/2
7		Reset Assy. (See table in breakdown <b>Electric Reset</b> )
8	025045	Elbow, Conduit, 1/2 x 90o M/F
9	066400	1/2 UNY Explosion-proof Conduit Union
10	046701	Plate, Support Reg
11	022449	Column Register Assy.
12		Discharge Assembly, Right (See breakdown for your model)
13	021893	Conduit, Reset/AC Box
14	015478	Discharge Bracket, Inner
15	015479	Discharge Bracket, Outer
16	015523	Bracket, Meter Support
17	026777	Frame Side Lower
18	014781	Bracket, AC Box, Mounting
19	003117	AC Junction Box Cover
20	003116	AC Junction Box
21	022314	Base Weld Assy.
22	035292	Manifold Assy. (See breakdown <b>9100AXTW1 Manifold Assy.</b> )
23		Pulser Assy., CX (10:1) (See breakdown)
		Pulser Assy., CC (100:1) (See breakdown)
		(For field retrofit kits, see <b>9100A Kits and Accessories</b> later in this manual)
24	069736	Conduit, Left Reset
25	015699	Bracket, Meter Mounting, Weld
26		Meter Assy. (See breakdown)
27	015514	Column Brace
28	027004	Gasket
29		Discharge Assembly., Left (See breakdown for your model)
30	021882	Coupling, Inner, Meter/Computer
31	042656	Groove Pin, 1/8 x 1
32	021883	Coupling, Reset/Computer, Electric
33		Reset Assy. (See table in breakdown <b>Electric Reset</b> )
34	022474	Frame, Top Side
35	S00525	Mechanical Totalizer

### 9152AXTW2, 9153AXTW2 CHASSIS ASSEMBLY





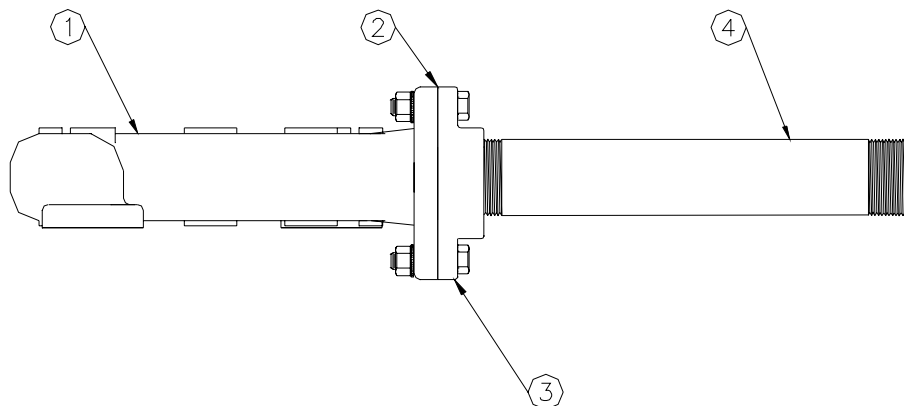
## 9152AXTW2, 9153AXTW2 CHASSIS ASSEMBLY

Item	Part No.	Description
1	026779	Frame, Top
	022491	Frame, Top, 9100ATW EK & TP
2	033454	Lamp Assy, Twin, 115V/60 Hz.
	033460	Lamp Assy, Twin, 230V/60 Hz.
	033459	Lamp Assy, Twin, 115V/50 Hz.
	033458	Lamp Assy, Twin, 230V/50 Hz.
3	021079	Non-Computer, Gallon
	021071	Non-Computer, Liter
4	021933	Coupling, Reset to Computer, Electric
5	042655	Pin, Drive-Lok, 5/32 x 1
6	021364	Conduit, 1/2 x 3-1/2
7		Reset Assy. (See table in breakdown <b>Electric Reset</b> )
8	025045	Elbow, Conduit, 1/2 x 90o M/F
9	066400	1/2 UNY Explosion-proof Conduit Union
10	046701	Plate, Support Reg
11	022449	Column Register Assy.
12		Discharge Assembly, Right (See breakdown for your model)
13	021893	Conduit, Reset/AC Box
14	015478	Discharge Bracket, Inner
15	015479	Discharge Bracket, Outer
16	015523	Bracket, Meter Support
17	026777	Frame Side Lower
18	014781	Bracket, AC Box, Mounting
19	003117	AC Junction Box Cover
20	003116	AC Junction Box
21	022314	Base Weld Assy.
22		Pulser Assy., CX (10:1) (See breakdown)
		Pulser Assy., CC (100:1) (See breakdown)
		(For field retrofit kits, see <b>9100A Kits and Accessories</b> later in this manual)
23	069736	Conduit, Left Reset
24	015699	Bracket, Meter Mounting, Weld
25		Meter Assy. (See breakdown)
26	015514	Column Brace
27	027004	Gasket
28		Discharge Assembly., Left (See breakdown for your model)
29	021882	Coupling, Inner, Meter/Computer
30	042656	Groove Pin, 1/8 x 1
31	021883	Coupling, Reset/Computer, Electric
32		Reset Assy. (See table in breakdown <b>Electric Reset</b> )
33	022474	Frame, Top Side
34	S00525	Mechanical Totalizer

**DISCHARGE ASSEMBLY MATRIX**

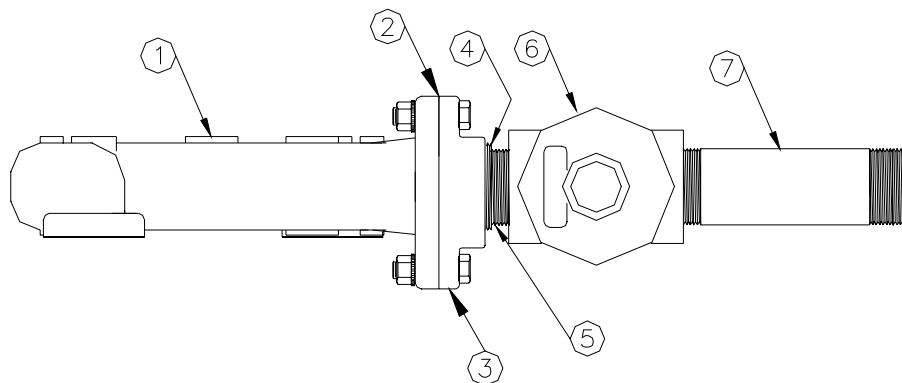
Model	No valve	115 Valve	230 Valve
9140A 9140AF 9140A PP 9140AX 9140AX S	097230 097378	097277 097253 097257	097279 097255 097259
9152A 9152A F 9152A FPP 9152A PP 9152ATW1 9152ATW1 F 9152ATW2 9152ATW2 F 9152ATW2 PP 9152AX 9152AX F 9152AX FS 9152AX S 9152AXTW 9152AXTW F 9152AXTW FS 9152AXTW S	097188 097189     097209 097208	097191 097190 097193 097192  097207 097190 097191 097195 097194 097203 097201 097200 097202	097211 097210 097213 097212  097214 097210 097211 097218 097217 097219 097220 097222 097221
9153A 9153A F 9153A FPP 9153A PP 9153AHC 9153AHC PP 9153ATW1M 9153ATW1M F 9153ATW1M PP 9153ATW2 9153ATW2 F 9153ATW2 PP 9153AX 9153AX F 9153AX FS 9153AX S 9153AXTW 9153AXTW F 9153AXTW FS 9153AXTW S	097171 097173   097171  097155 097205  097155 097205	097161 097187  097206  097154  097154 097187 097161 097197 097196 097185 097174 097198 097199	097172 097181  097216  097166  097166 097181 097172 097224 097223 097179 097176 097226 097225

*NOTE: If replacing a methanol ASCO valve, a Skinner valve assembly must be used. Order complete discharge assembly less casting.*

**9140A DISCHARGE ASSEMBLY - 097230**

Item	Part No.	Description
1	003131	Discharge Casting
2	049136	Square Ring
3	003641	Flange
4	044902	Pipe TBE, 1-1/2 x 10

**NOTE:** If replacing a brazed discharge assembly, order P/N 032130.

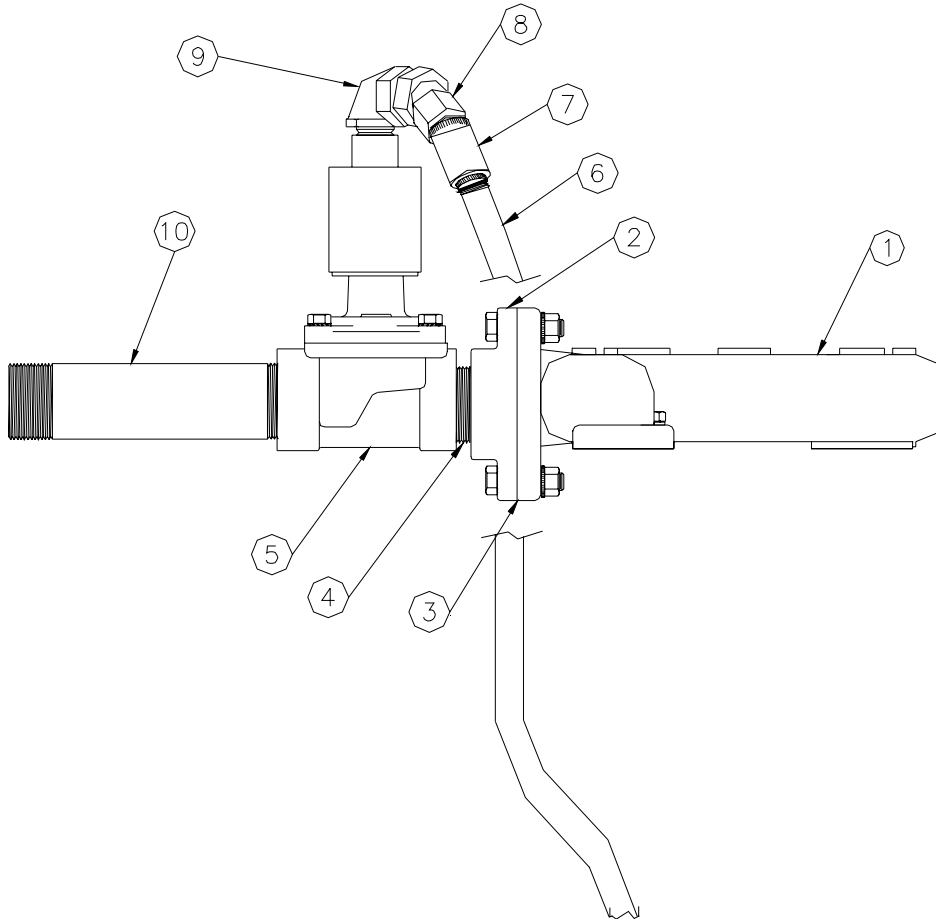
**9140A F DISCHARGE - 097378**

Item	Part No.	Description
1	003131	Discharge Casting
2	049136	Square Ring
3	003641	Flange
4	017141	Bushing, 1-1/2 x 1-1/4 Face
5	038036	Pipe TBE, 1-1/3 x 1-5/8
6	003046	Adapter, 1-1/4 Cimtek 400 Filter
7	044704	Pipe TBE, 1-1/4 x 6-1/2

**NOTE:** If replacing a brazed discharge assembly, order P/N 032134.

**9140A PP DISCHARGE - 097277 115V, 097279 230V**

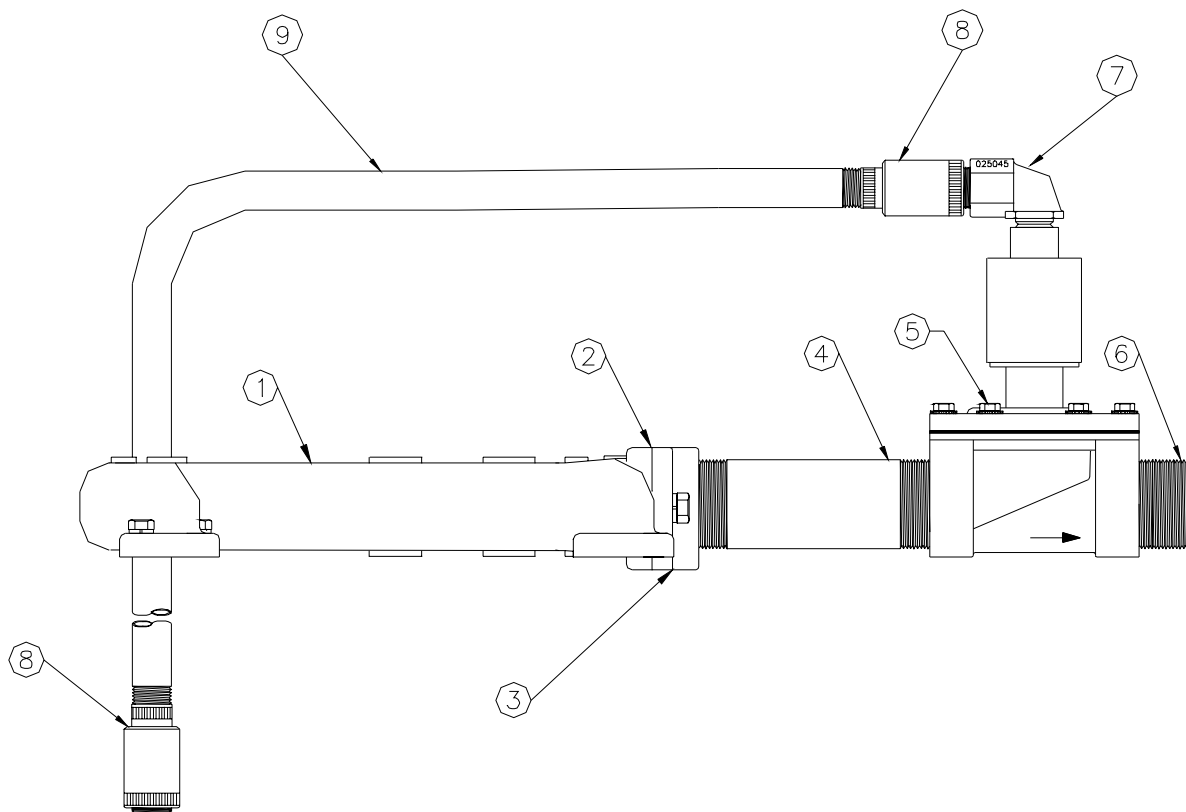
Item Part No. Description



1	003131	Discharge Casting
2	003641	Flange
3	049136	Square Ring
4	038005	Pipe, TBE, 1-1/2 x 1-3/4
5	067028	VL Sol, Skinner, 1-1/2", 2-Stg, 115V
	067062	VL Sol, Skinner, 1-1/2", 2-Stg, 230V
6	022509	Conduit, Solenoid
7	066400	1/2" UNY Explosion-Proof Conduit
8	025015	Elbow, Conduit, 1/2 x 45°, M/F
9	025045	Elbow, Conduit, 1/2 x 90°, M/F
10	044933	Pipe, TBE, 1-1/2 x 4-3/4

**NOTE:** If replacing a brazed discharge assembly, order P/N 032131.

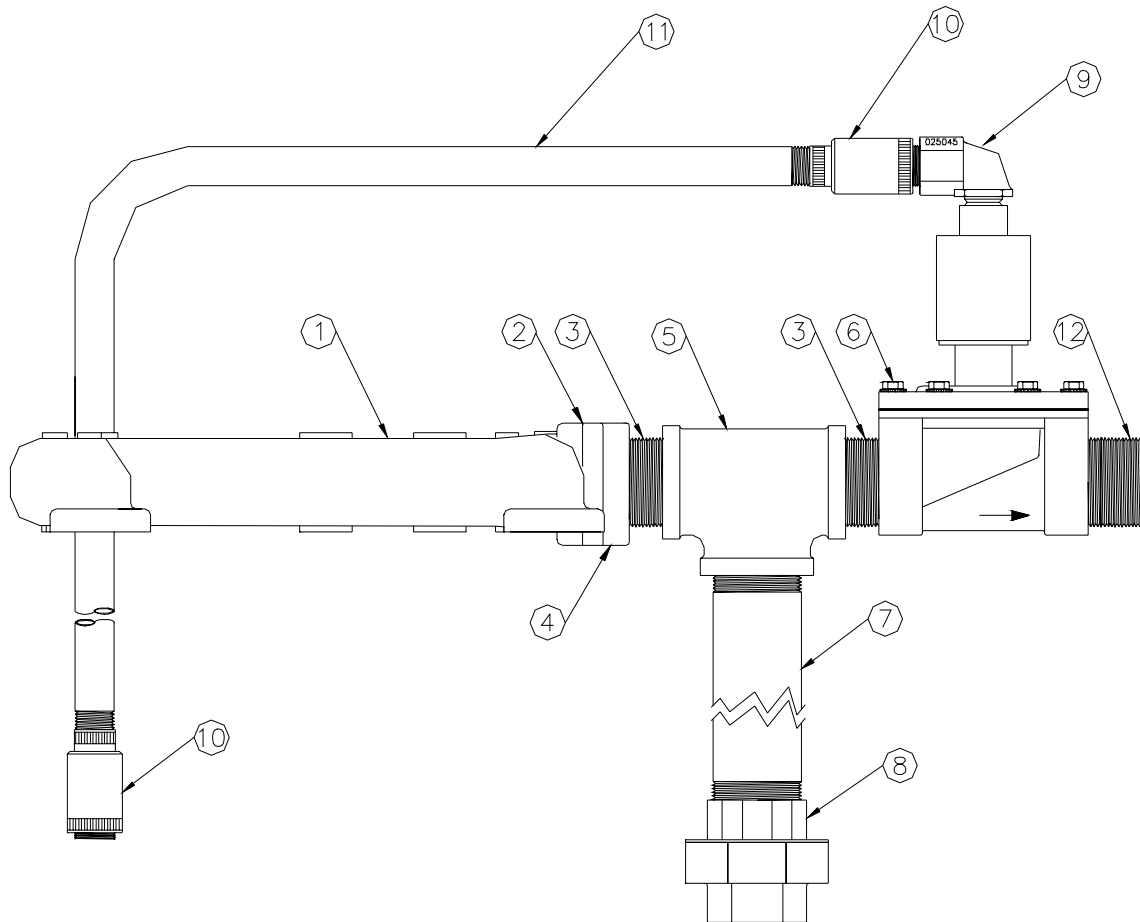
## 9140AX PP DISCHARGE - 097253 115V, 097255 230V



Item	Part No.	Description
1	003130	Discharge Casting
2	049136	Square Ring
3	003641	Flange
4	044925	Pipe TBE, 1-1/2 x 6-1/8
5	067028	VL Sol, Skinner, 1-1/2", 2-Stg, 115V
	067062	VL Sol, Skinner, 1-1/2", 2-Stg, 230V
6	044907	Pipe TBE, 1-1/2 x 2-1/4
7	025045	Elbow, Conduit, 1/2 x 90°, M/F
8	066400	1/2" UNY Explosion-Proof Conduit
9	022436	Conduit, 1/2" NPS (17-7/8 x 15-7/8)

**NOTE:** If replacing a brazed discharge assembly, order P/N 032132.

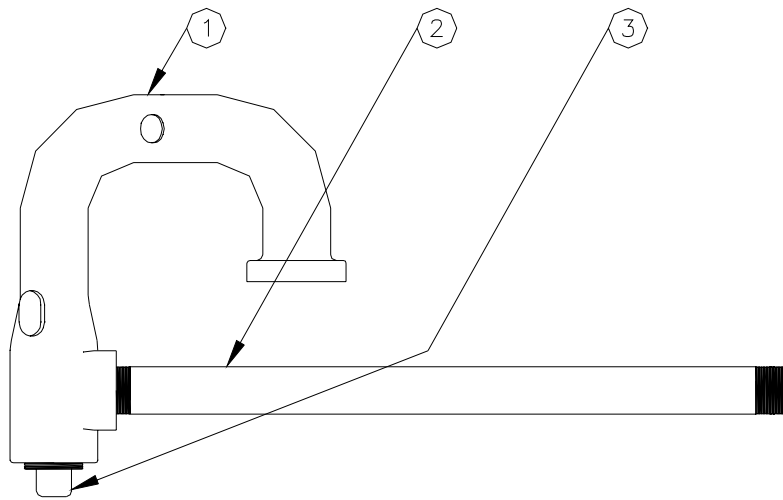
**9140AX S DISCHARGE - 097257 115V, 097259 230V**



Item	Part No.	Description
1	003130	Discharge Casting
2	049136	Square Ring
3	038005	Pipe TBE, 1-1/2 x 1-3/4
4	003641	Flange
5	064797	Tee, 1-1/2 Black mall. 150#
6	067028	VL Sol, Skinner, 1-1/2", 2-Stg, 115V
	067062	VL Sol, Skinner, 1-1/2", 2-Stg, 230V
7	044294	Pipe TBE, 1-1/2 x 16-11/16
8	066385	Union, 1-1/2 #150 Stockham
9	025045	Elbow, Conduit, 1/2 x 90°, M/F
10	066400	1/2" UNY Explosion-Proof Conduit
11	022436	Conduit, 1/2 NPS (17-7/8 x 15-7/8)
12	044907	Pipe TBE, 1-1/2 x 2-1/4

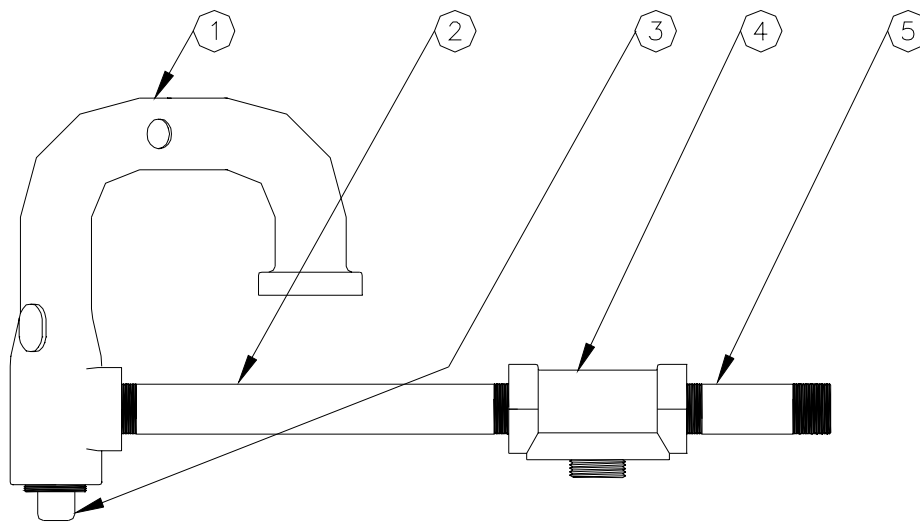
**NOTE:** If replacing brazed discharge assembly, order P/N 032133.

**9152A DISCHARGE ASSEMBLY - 097188**



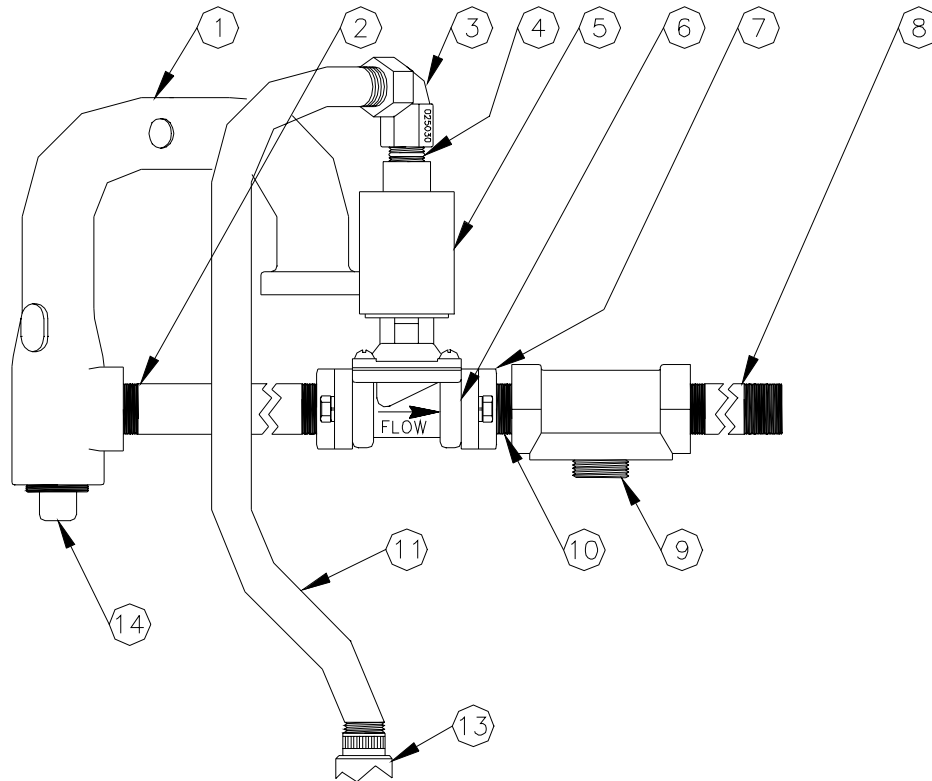
Item	Part No.	Description
1	003092	Discharge Casting, Mach, 3/4" NPT
2	044465	Pipe TBE, 3/4 x 16-1/8
3	047305	Plug Pipe, Sq. Hd., 1"

**9152AF DISCHARGE ASSEMBLY - 097189**



Item	Part No.	Description
1	003092	Discharge Casting, Mach, 3/4" NPT
2	044140	Pipe TBE, 3/4 x 10
3	047305	Plug Pipe, Sq. Hd., 1"
4	003043	Adapter, Filter, 3/4"
5	043977	Pipe TBE, 3/4 x 3

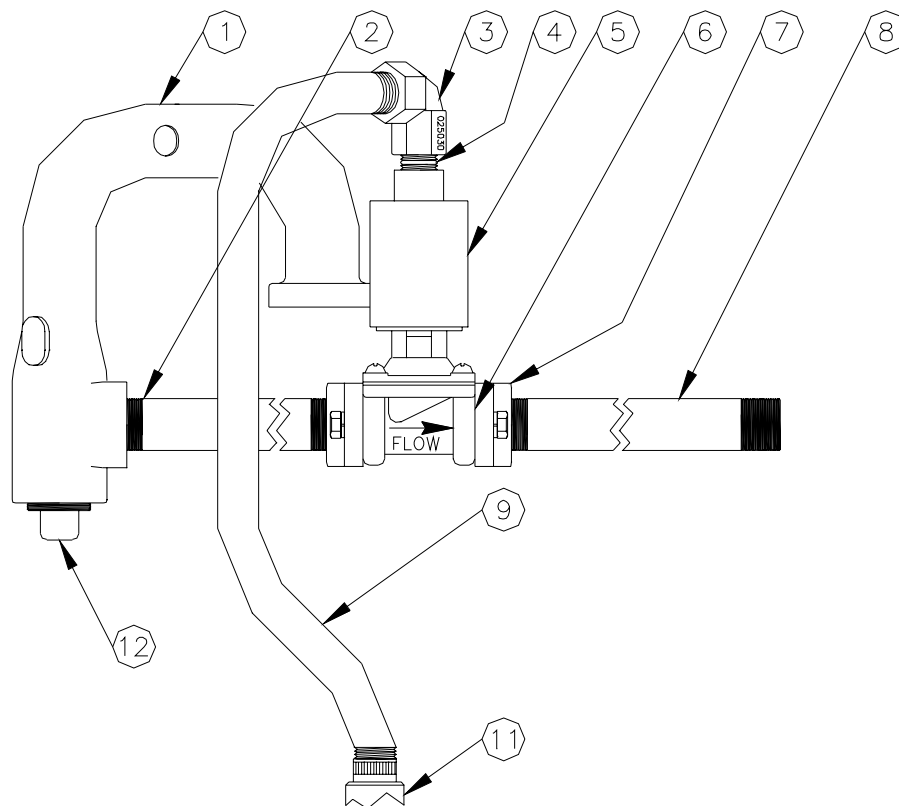
**9152A FPP 9152AX F DISCHARGE - 097191 115V, 097211 230V**



Item	Part No.	Description
1	003092	Discharge Casting, Mach, 3/4" NPT
2	044051	Pipe TBE, 3/4 x 5-1/2
3	025030	Elbow, Conduit, 1/2 x 90o F/F Mach
4	038050	Pipe TBE, 1/2 x 1-1/8
5	067026	VL Sol, Skinner, 3/4", 2-Stg, 2 Bolt, 115V
	067027	VL Sol, Skinner, 3/4", 2-Stg, 2 Bolt, 230V
6	027004	Gasket
7	026074	Meter Flange, 3/4" NPT
8	043976	Pipe TBE, 3/4 x 2-3/4
9	003043	Adapter, Filter, 3/4"
10	037990	Pipe TBE, 3/4 x 1-3/8 Close Nip
11	023161	Conduit, Solenoid
13	066400	1/2" UNY Explosion-Proof Conduit
14	047305	Plug Pipe, Sq. Hd, 1"

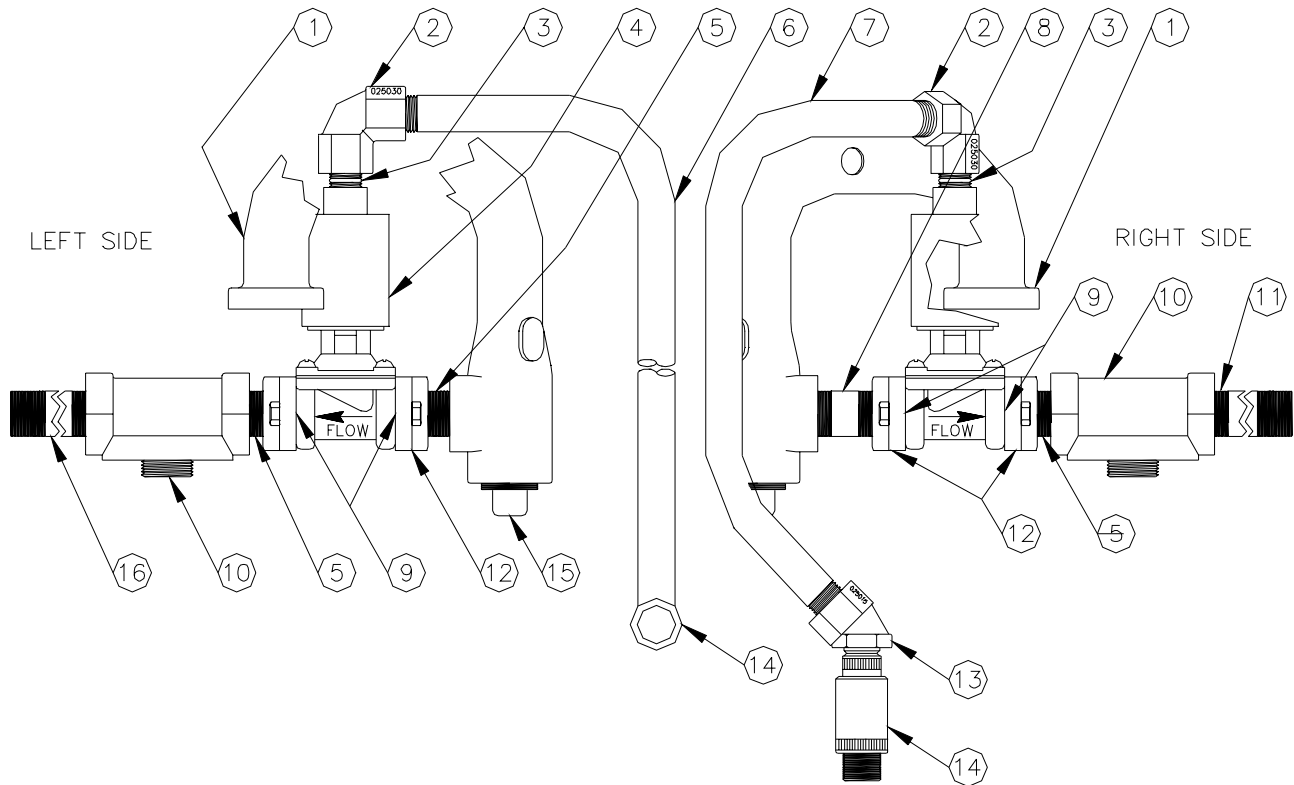


### 9152A PP, 9152AX DISCHARGE ASSEMBLY - 097190 115V, 097210 230V



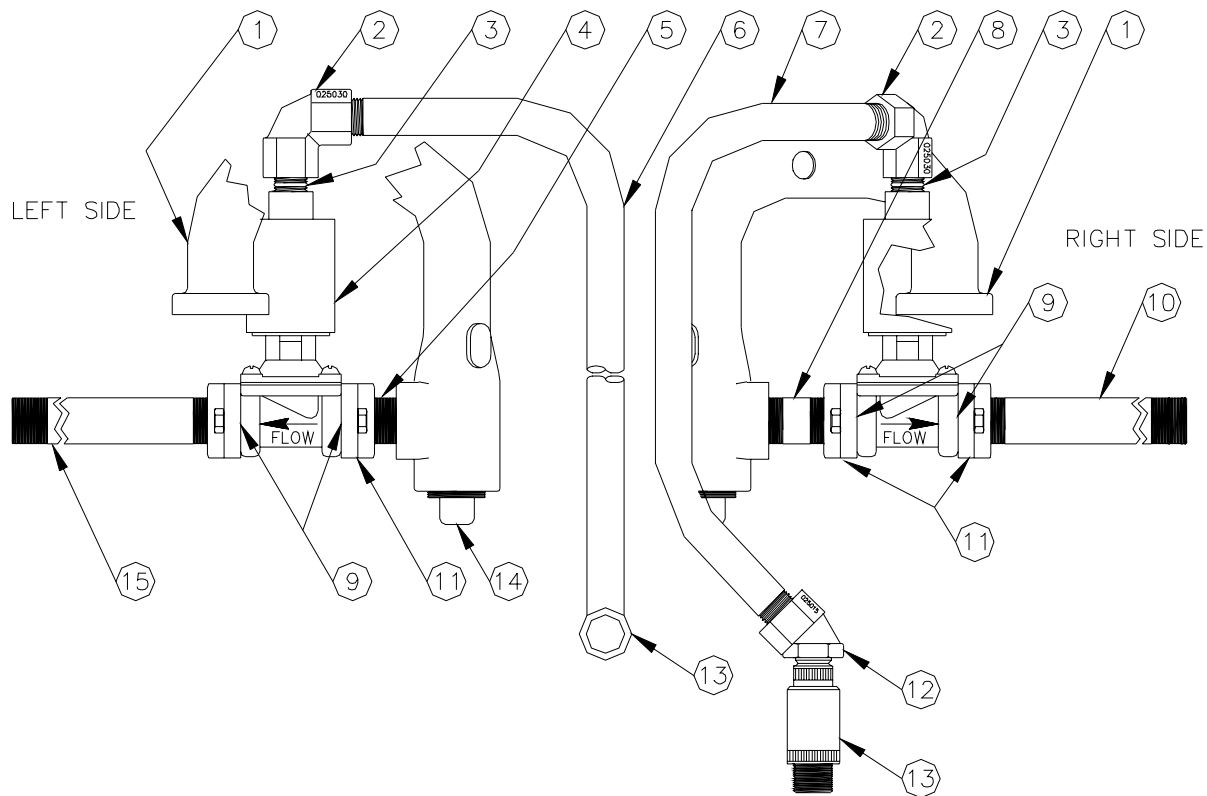
Item	Part No.	Description
1	003092	Discharge Casting, Mach, 3/4" NPT
2	044051	Pipe TBE, 3/4 x 5-1/2
3	025030	Elbow, Conduit, 1/2 x 90o F/F Mach
4	038050	Pipe TBE, 1/2 x 1-1/8
5	067026	VL Sol, Skinner, 3/4", 2-Stg, 2 Bolt, 115V
	067027	VL Sol, Skinner, 3/4", 2-Stg, 2 Bolt, 230V
6	027004	Gasket
7	026074	Meter Flange, 3/4" NPT
8	044090	Pipe TBE, 3/4 x 7
9	023161	Conduit, Solenoid
11	066400	1/2" UNY Explosion-Proof Conduit
12	047305	Plug Pipe, Sq. Hd, 1"

**9152ATW1 F DISCHARGE ASSEMBLY - 097192 115V, 097212 230V**



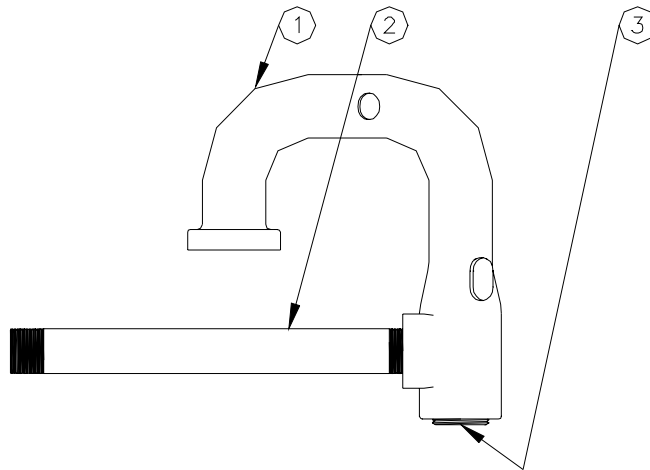
Item	Part No.	Description
1	003092	Discharge Casting, Mach, 3/4" NPT
2	025030	Elbow, Conduit, 1/2 x 90o F/F Mach
3	038050	Pipe TBE, 1/2 x 1-1/8
4	067026	VL Sol, Skinner, 3/4", 2-Stg, 2 Bolt, 115V
	067027	VL Sol, Skinner, 3/4", 2-Stg, 2 Bolt, 230V
5	037990	Pipe TBE, 3/4 x 1-3/8 Close Nip
6	069733	Conduit, Solenoid, Left Side
7	069734	Conduit, Solenoid, Right Side
8	044476	Pipe TBE, 3/4 x 2-1/4
9	027004	Gasket
10	003043	Adapter, Filter
11	043980	Pipe TBE, 3/4 x 3-1/4
12	026074	Meter Flange, 3/4" NPT
13	025015	Elbow, Conduit, 1/2 x 45o M/F Mach
14	066400	1/2" UNY Explosion-Proof Conduit
15	047305	Plug Pipe, Sq. Hd, 1"
16	043970	Pipe TBE, 3/4 x 3-1/2

**9152ATW1 DISCHARGE ASSEMBLY - 097193 115V, 097213 230V**



Item	Part No.	Description
1	003092	Discharge Casting, Mach, 3/4" NPT
2	025030	Elbow, Conduit, 1/2 x 90o F/F Mach
3	038050	Pipe TBE, 1/2 x 1-1/8
4	067026	VL Sol, Skinner, 3/4", 2-Stg, 2 Bolt, 115V
	067027	VL Sol, Skinner, 3/4", 2-Stg, 2 Bolt, 230V
5	037990	Pipe TBE, 3/4 x 1-3/8 Close Nip
6	069733	Conduit, Solenoid, Left Side
7	069734	Conduit, Solenoid, Right Side
8	044476	Pipe TBE, 3/4 x 2-1/4
9	027004	Gasket
10	044090	Pipe TBE, 3/4 x 7
11	026074	Meter Flange, 3/4" NPT
12	025015	Elbow, Conduit, 1/2 x 45o M/F Mach
13	066400	1/2" UNY Explosion-Proof Conduit
14	047305	Plug Pipe, Sq. Hd, 1"
15	044110	Pipe TBE, 3/4 x 8

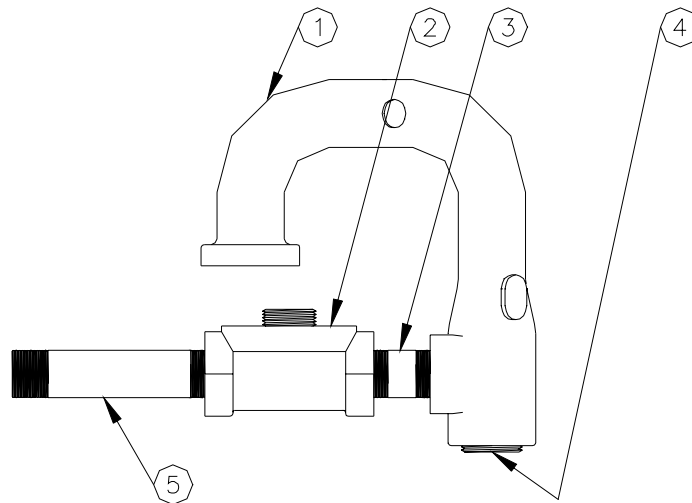
**9152ATW2 DISCHARGE ASSEMBLY - 097209**



LEFT SIDE AND RIGHT SIDE

Item	Part No.	Description
1	003092	Discharge Casting, Mach, 3/4" NPT
2	044140	Pipe TBE, 3/4 x 10
3	047310	1" NPT BIP Sq. Socket Plug

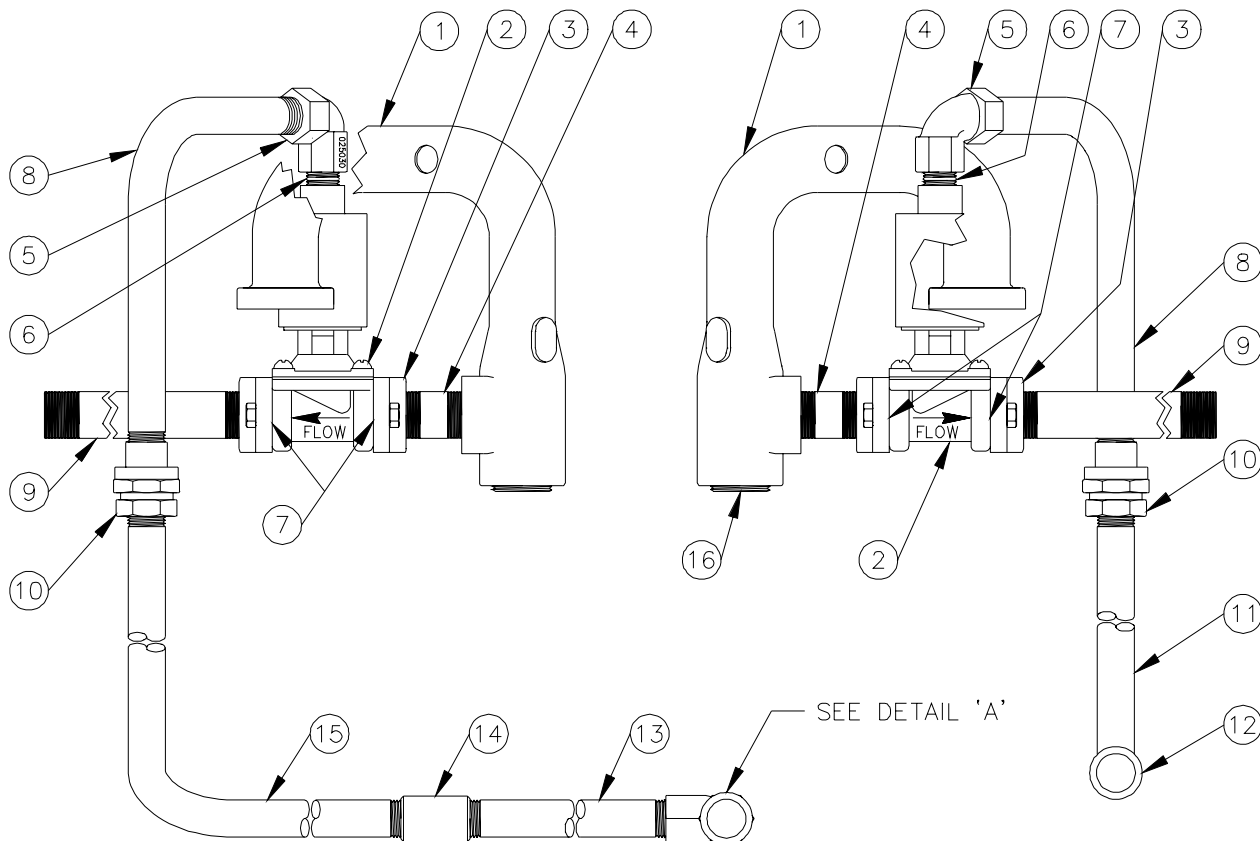
**9152ATW2F DISCHARGE ASSEMBLY - 097208**



LEFT SIDE AND RIGHT SIDE

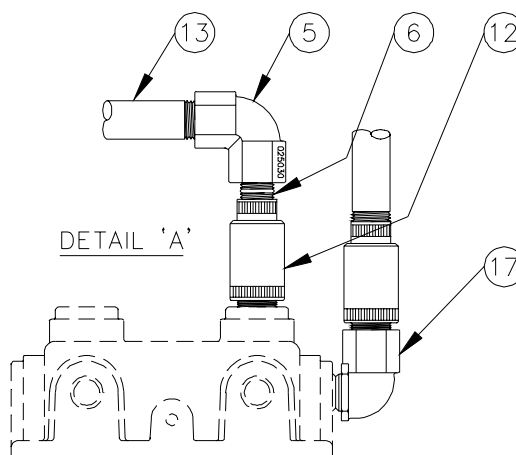
Item	Part No.	Description
1	003092	Discharge Casting, Mach, 3/4" NPT
2	003043	Adapter, Filter, 3/4"
3	043980	Pipe TBE, 3/4 x 3-1/4
4	047310	1" NPT BIP Sq. Socket Plug
5	043995	Pipe TBE, 3/4 x 4-3/4

**9152ATW2 PP DISCHARGE ASSEMBLY - 097207 115V, 097214 230V**



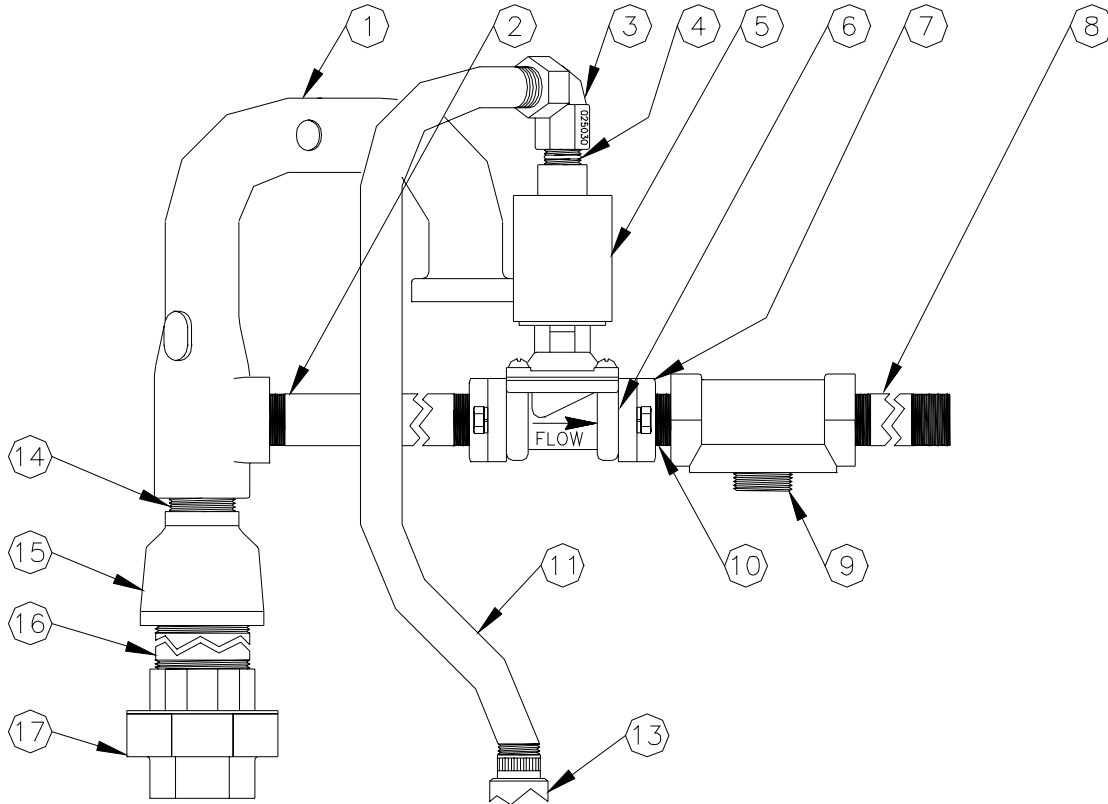
Item	Part No.	Description
1	003016	Discharge Casting, Mach
2	067026	VL Sol, Skinner, 3/4", 2-Stg, 2 Bolt, 115V
	067027	VL Sol, Skinner, 3/4", 2-Stg, 2 Bolt, 230V
3	026074	Meter Flange, 3/4" NPT
4	044476	Pipe TBE, 3/4 x 2-1/4
5	025030	Elbow, Conduit, 1/2 x 90o F/F Mach
6	038050	Pipe TBE, 1/2 x 1-1/8
7	027004	Gasket
8	069725	Conduit, Solenoid Valve
9	043995	Pipe TBE, 3/4 x 4-3/4
10	C08125	Conduit Fitting, 1/2" Union
11	069735	Conduit, Solenoid, RS Lower
12	066400	1/2" UNY Explosion-Proof Conduit
13	021390	Conduit, 1/2 x 17

SEE DETAIL 'A'



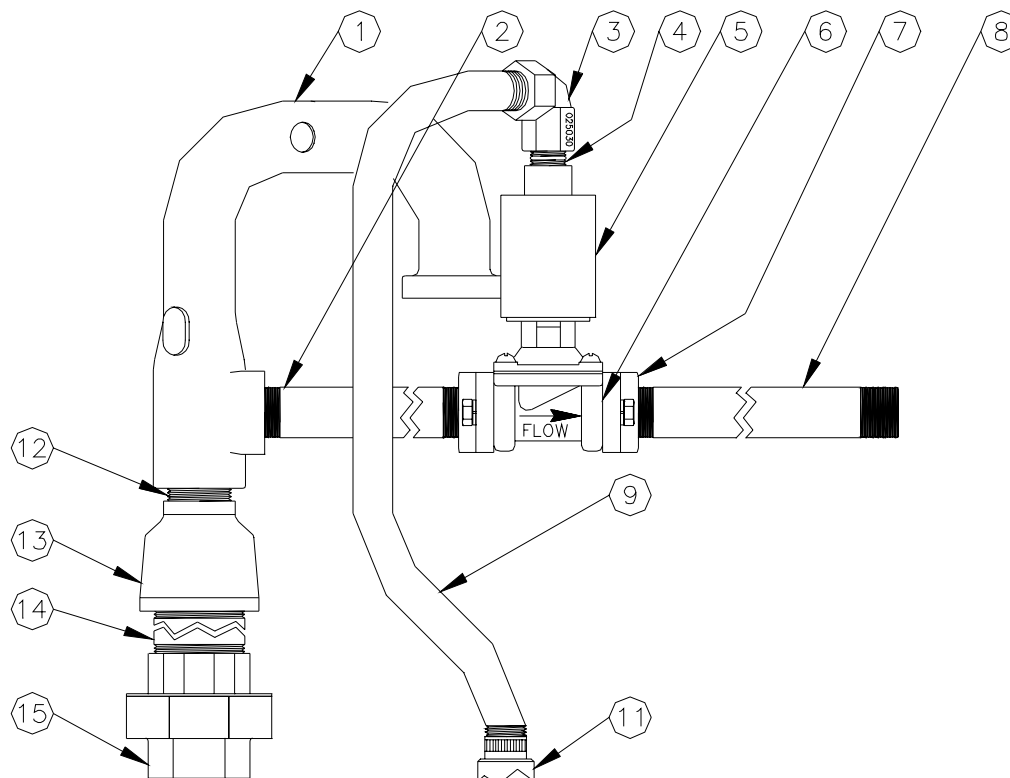
14	021986	Coupling, 1/2 Conduit
15	069724	Conduit, Solenoid Valve, Lower
16	047310	1" NPT BIP Sq. Socket Plug
17	025045	Elbow, Conduit, 1/2 x 90o M/F

**9152AX FS DISCHARGE ASSEMBLY - 097195 115V, 097218 230V**



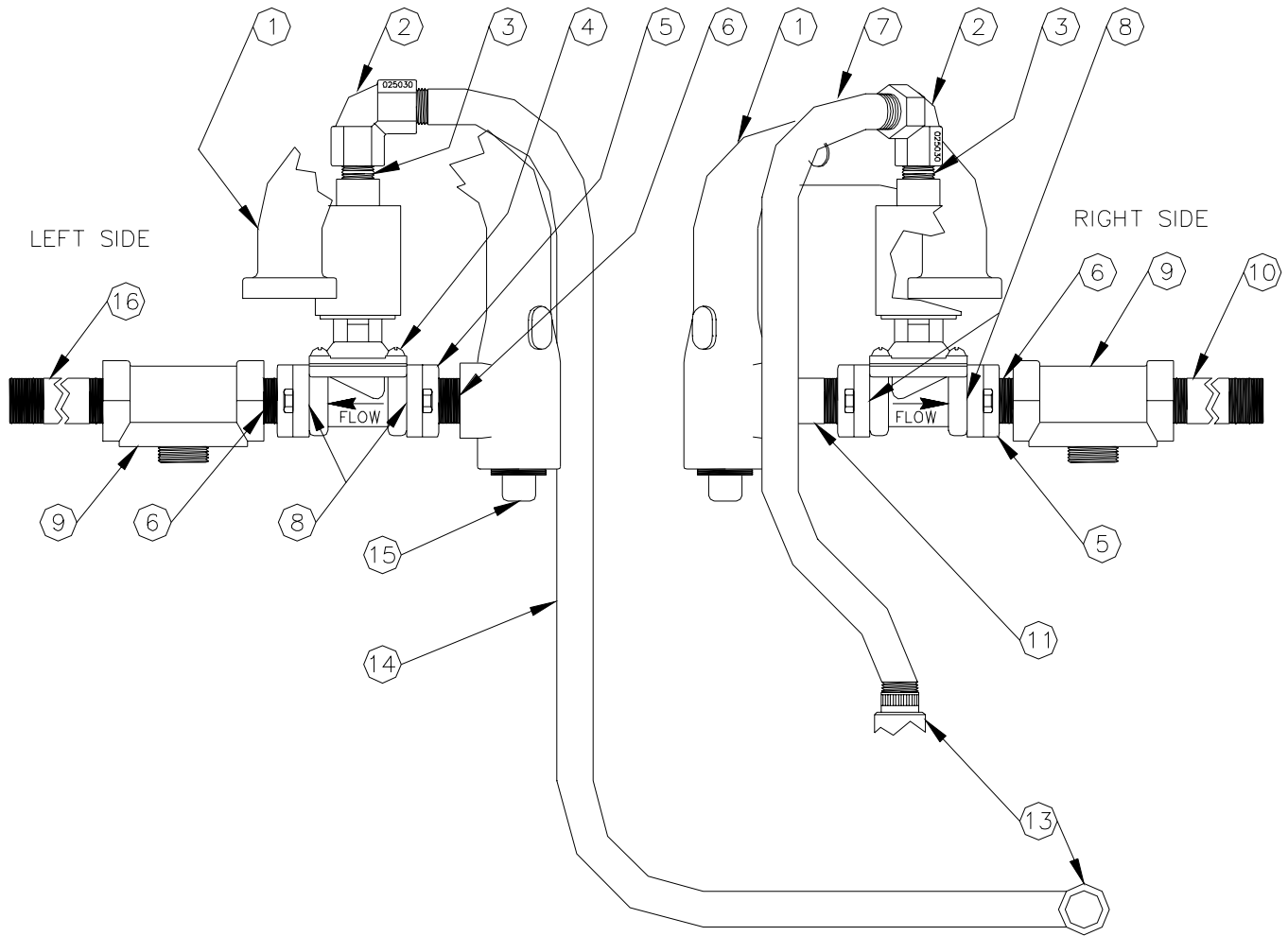
Item	Part No.	Description
1	003092	Discharge Casting, Mach, 3/4" NPT
2	043995	Pipe TBE, 3/4 x 4-3/4
3	025030	Elbow, Conduit, 1/2 x 90o F/F Mach
4	038050	Pipe TBE, 1/2 x 1-1/8
5	067026	VL Sol, Skinner, 3/4", 2-Stg, 2 Bolt, 115V
	067027	VL Sol, Skinner, 3/4", 2-Stg, 2 Bolt, 230V
6	027004	Gasket
7	026074	Meter Flange, 3/4" NPT
8	043970	Pipe TBE, 3/4 x 3-1/2
9	003043	Adapter, Filter, 3/4"
10	037990	Pipe TBE, 3/4 x 1-3/8 Close Nip
11	023161	Conduit, Solenoid
13	066400	1/2" UNY Explosion-Proof Conduit
14	038035	Pipe TBE, 1 x 1-1/2 Close Nip
15	021984	Pipe Coupling, Reducer 1-1/2 x 1
16	044901	Pipe TBE 1-1/2 x 13-1/2
17	066385	Union, 1-1/2, #150 Stockham

## 9152AX S DISCHARGE ASSEMBLY - 097194 115V, 097217 230V



Item	Part No.	Description
1	003092	Discharge Casting, Mach, 3/4" NPT
2	043995	Pipe TBE, 3/4 x 4-3/4
3	025030	Elbow, Conduit, 1/2 x 90o F/F Mach
4	038050	Pipe TBE, 1/2 x 1-1/8
5	067026	VL Sol, Skinner, 3/4", 2-Stg, 2 Bolt, 115V
	067027	VL Sol, Skinner, 3/4", 2-Stg, 2 Bolt, 230V
6	027004	Gasket
7	026074	Meter Flange, 3/4" NPT
8	044110	Pipe TBE, 3/4 x 8
9	023161	Conduit, Solenoid
11	066400	1/2" UNY Explosion-Proof Conduit
12	038035	Pipe TBE, 1 x 1-1/2 Close Nip
13	021984	Pipe Coupling, Reducer 1-1/2 x 1
14	044901	Pipe TBE 1-1/2 x 13-1/2
15	066385	Union, 1-1/2, #150 Stockham

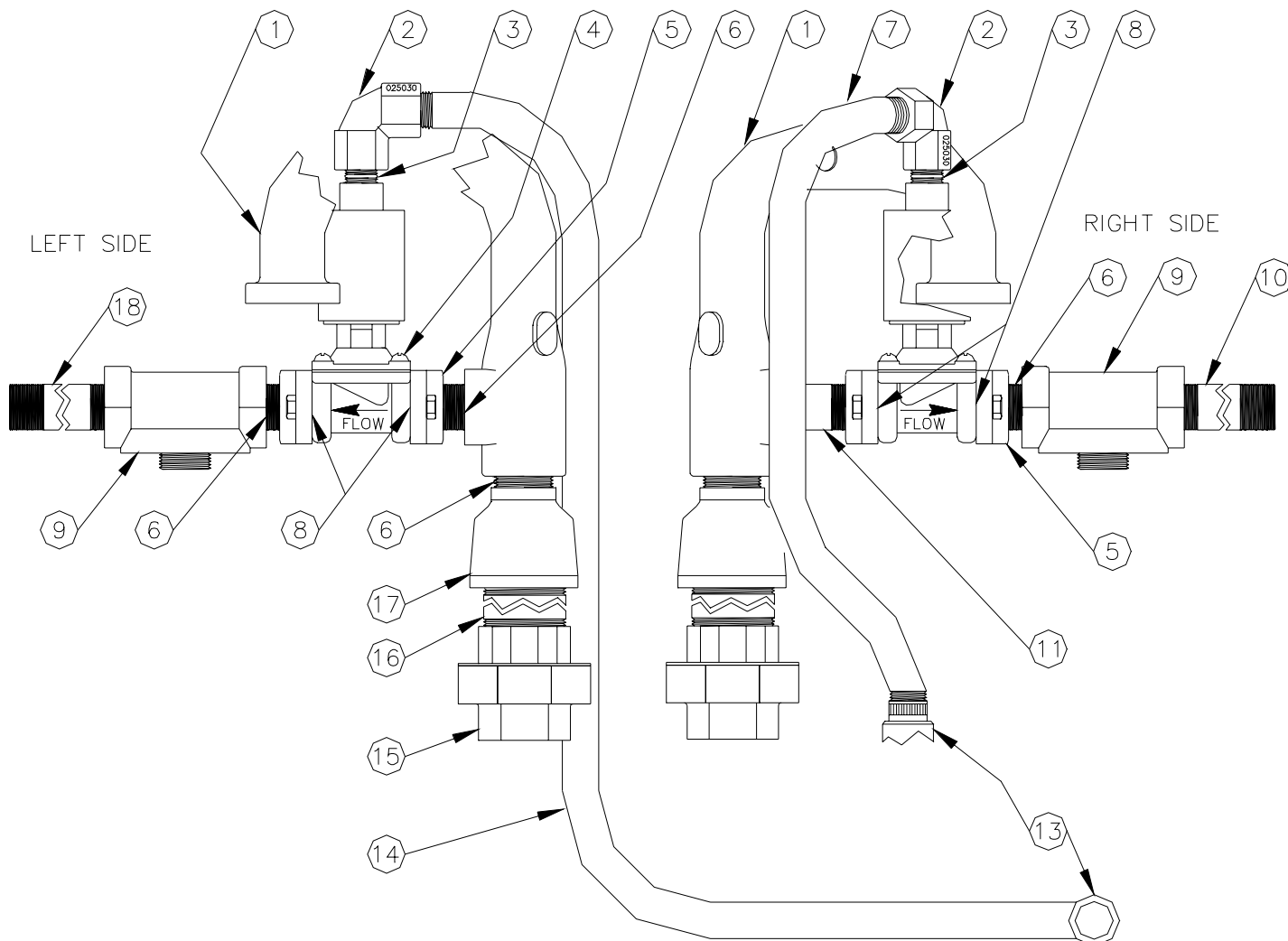
**9152AXTW F DISCHARGE ASSEMBLY - 097201 115V, 097220 230V**



Item	Part No.	Description
1	003092	Discharge Casting, Mach, 3/4" NPT
2	025030	Elbow, Conduit, 1/2 x 90o F/F Mach
3	038050	Pipe TBE, 1/2 x 1-1/8
4	067026	VL Sol, Skinner, 3/4", 2-Stg, 2 Bolt, 115V
	067027	VL Sol, Skinner, 3/4", 2-Stg, 2 Bolt, 230V
5	026074	Meter Flange, 3/4" NPT
6	037990	Pipe TBE, 3/4 x 1-3/8 Close Nip
7	023161	Conduit, Solenoid
8	027004	Gasket
9	003043	Adapter, Filter, 3/4"
10	043980	Pipe TBE, 3/4 x 3-1/4
11	044476	Pipe TBE, 3/4 x 2-1/4
13	066400	1/2" UNY Explosion-Proof Conduit
14	023162	Conduit, Left Side Valve
15	047305	Plug Pipe, Sq. Hd, 1"
16	043970	Pipe TBE, 3/4 x 3-1/2



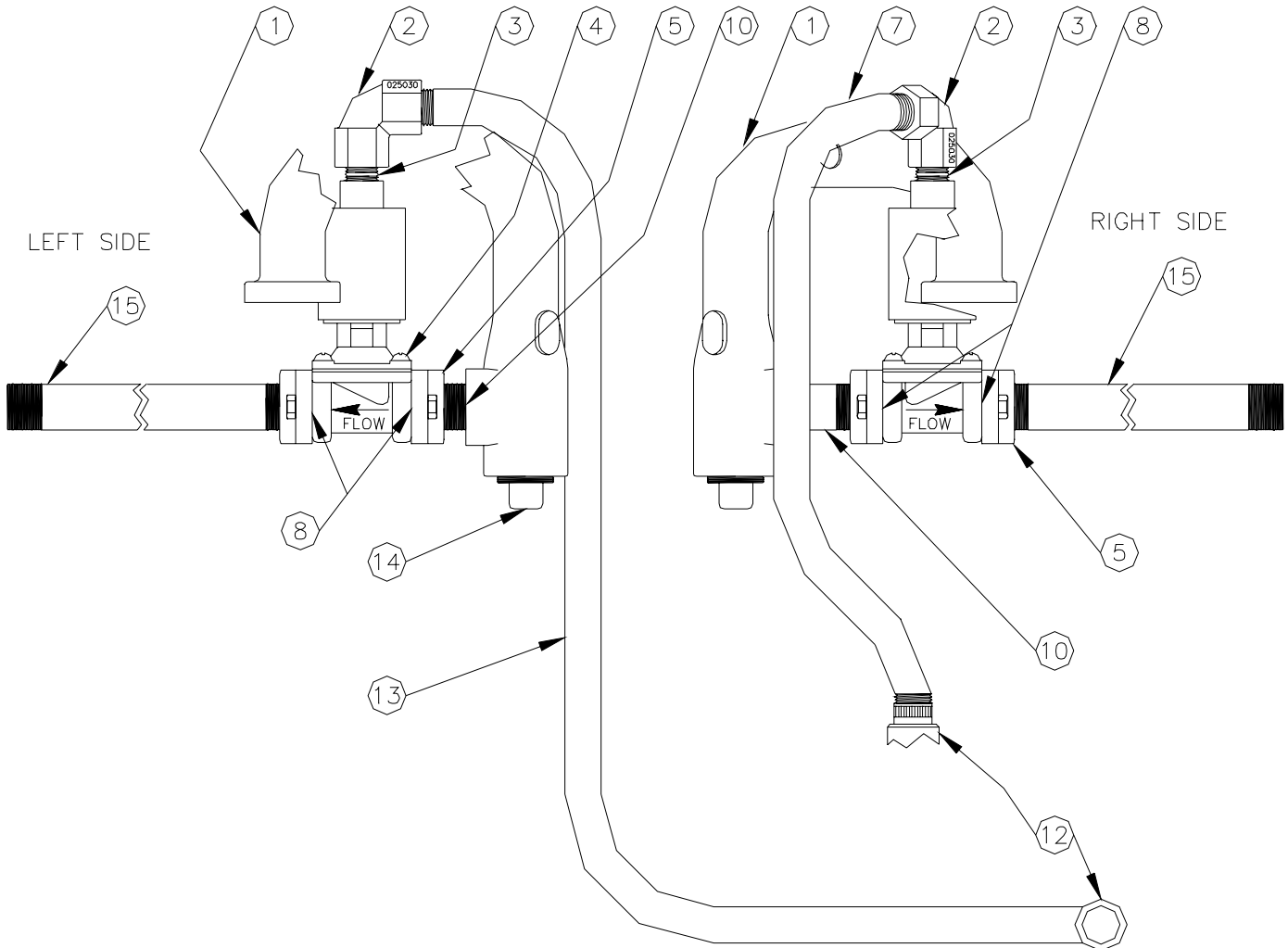
**9152AXTWFS DISCHARGE ASSEMBLY - 097200 115V, 097222 230V**



Item	Part No.	Description
1	003092	Discharge Casting, Mach, 3/4" NPT
2	025030	Elbow, Conduit, 1/2 x 90o F/F Mach
3	038050	Pipe TBE, 1/2 x 1-1/8
4	067026	VL Sol, Skinner, 3/4", 2-Stg, 2 Bolt, 115V
	067027	VL Sol, Skinner, 3/4", 2-Stg, 2 Bolt, 230V
5	026074	Meter Flange, 3/4" NPT
6	037990	Pipe TBE, 3/4 x 1-3/8 Close Nip
7	023161	Conduit, Solenoid

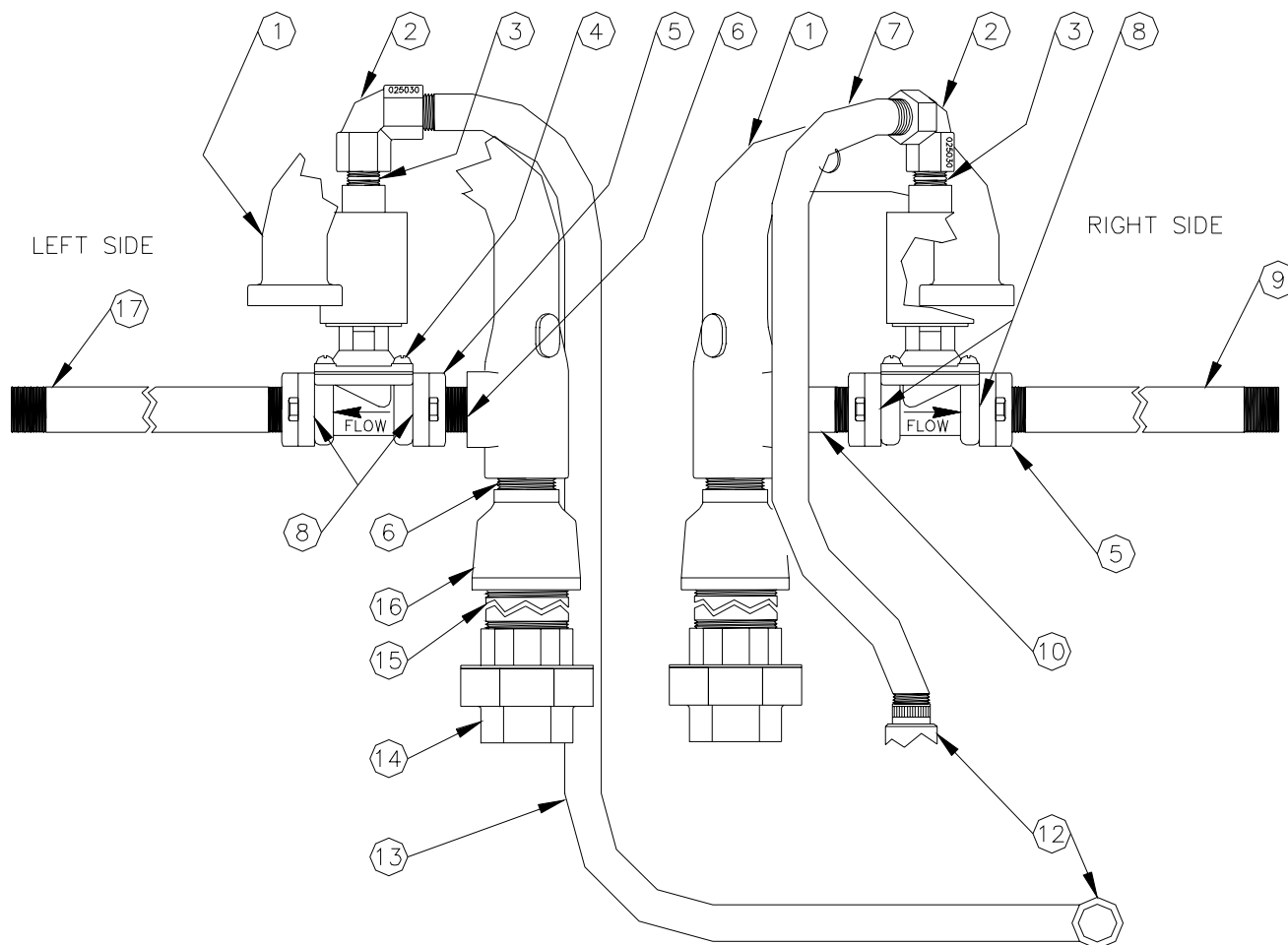
Item	Part No.	Description
8	027004	Gasket
9	003043	Adapter, Filter, 3/4"
10	043976	Pipe TBE, 3/4 x 2-3/4
11	044476	Pipe TBE, 3/4 x 2-1/4
13	066400	1/2" UNY Explosion-Proof Conduit
14	023162	Conduit, Left Side Valve
15	066385	Union, 1-1/2, #150 Stockham
16	044901	Pipe TBE 1-1/2 x 13-1/2
17	021984	Pipe Coupling, Reducer 1-1/2 x 1
18	043970	Pipe TBE, 3/4 x 3-1/2

**9152AXTW DISCHARGE ASSEMBLY - 097203 115V, 097219 230V**



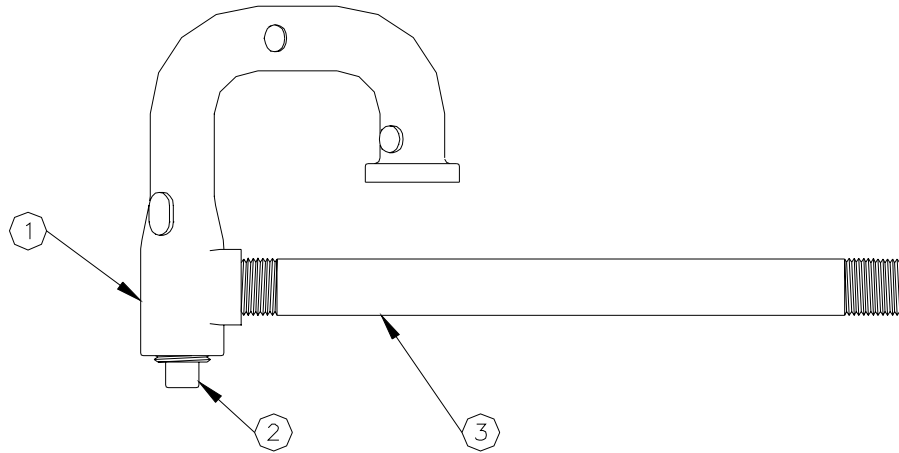
Item	Part No.	Description
1	003092	Discharge Casting, Mach, 3/4" NPT
2	025030	Elbow, Conduit, 1/2 x 90o F/F Mach
3	038050	Pipe TBE, 1/2 x 1-1/8
4	067026	VL Sol, Skinner, 3/4", 2-Stg, 2 Bolt, 115V
	067027	VL Sol, Skinner, 3/4", 2-Stg, 2 Bolt, 230V
5	026074	Meter Flange, 3/4" NPT
7	023161	Conduit, Solenoid
8	027004	Gasket
10	044476	Pipe TBE, 3/4 x 2-1/4
12	066400	1/2" UNY Explosion-Proof Conduit
13	023162	Conduit, Left Side Valve
14	047305	Plug Pipe, Sq. Hd, 1"
15	044110	Pipe TBE, 3/4 x 8

**9152AXTW S DISCHARGE ASSEMBLY - 097202 115V, 097221 230V**



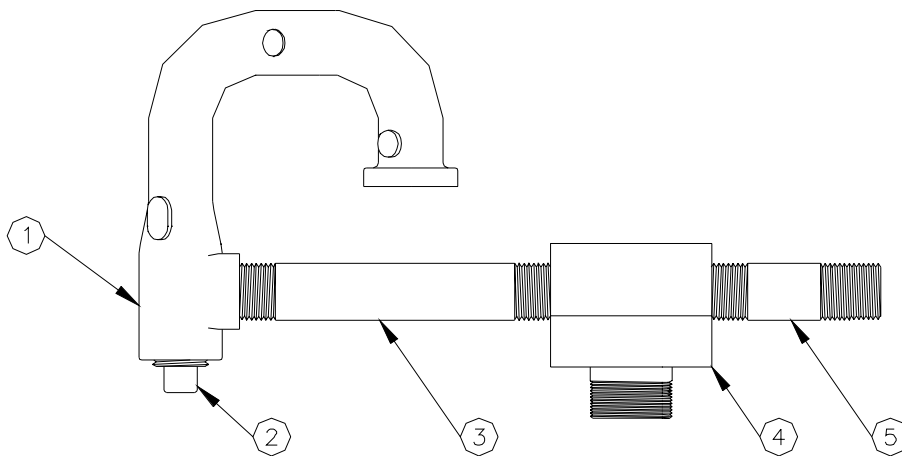
Item	Part No.	Description	Item	Part No.	Description
1	003092	Discharge Casting, Mach, 3/4" NPT	6	037990	Pipe TBE, 3/4 x 1-3/8 Close Nip
2	025030	Elbow, Conduit, 1/2 x 90o F/F Mach	7	023161	Conduit, Solenoid
3	038050	Pipe TBE, 1/2 x 1-1/8	8	027004	Gasket
4	067026	VL Sol, Skinner, 3/4", 2-Stg, 2 Bolt, 115V	9	044090	Pipe TBE, 3/4 x 7
	067027	VL Sol, Skinner, 3/4", 2-Stg, 2 Bolt, 230V	10	044476	Pipe TBE, 3/4 x 2-1/4
5	026074	Meter Flange, 3/4" NPT	12	066400	1/2" UNY Explosion-Proof Conduit
			13	023162	Conduit, Left Side Valve
			14	066385	Union, 1-1/2, #150 Stockham
			15	044901	Pipe TBE 1-1/2 x 13-1/2
			16	021984	Pipe Coupling, Reducer 1-1/2 x 1
			17	044110	Pipe TBE, 3/4 x 8

**9153A, 9153AHC DISCHARGE ASSEMBLY - 097171**

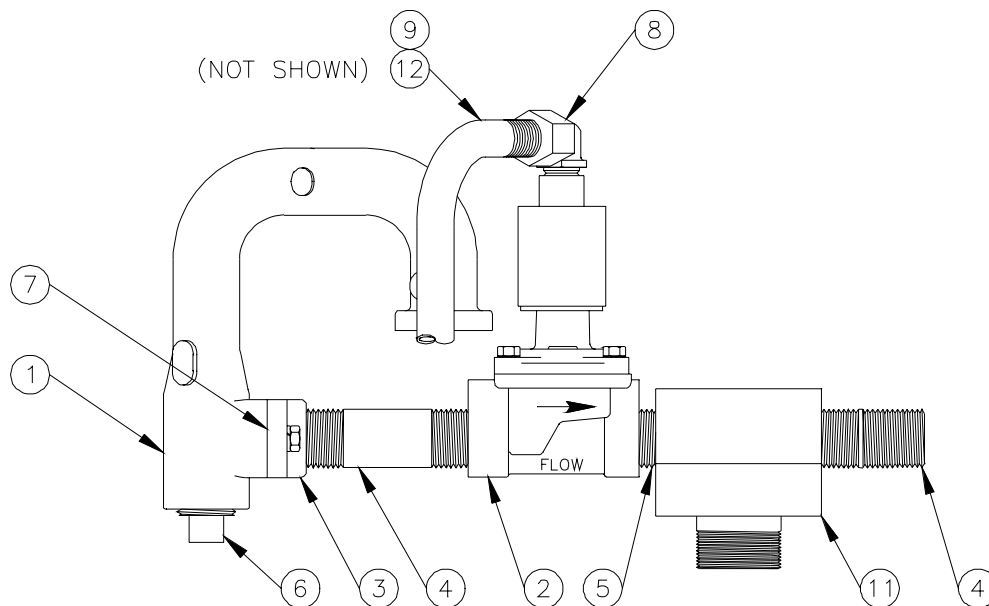


Item	Part No.	Description
1	003099	Discharge Casting, Mach
2	047305	Plug Pipe, Square Hd, 1"
3	044682	Pipe TBE, 1 x 15-1/2

**9153A F DISCHARGE ASSEMBLY - 097173**

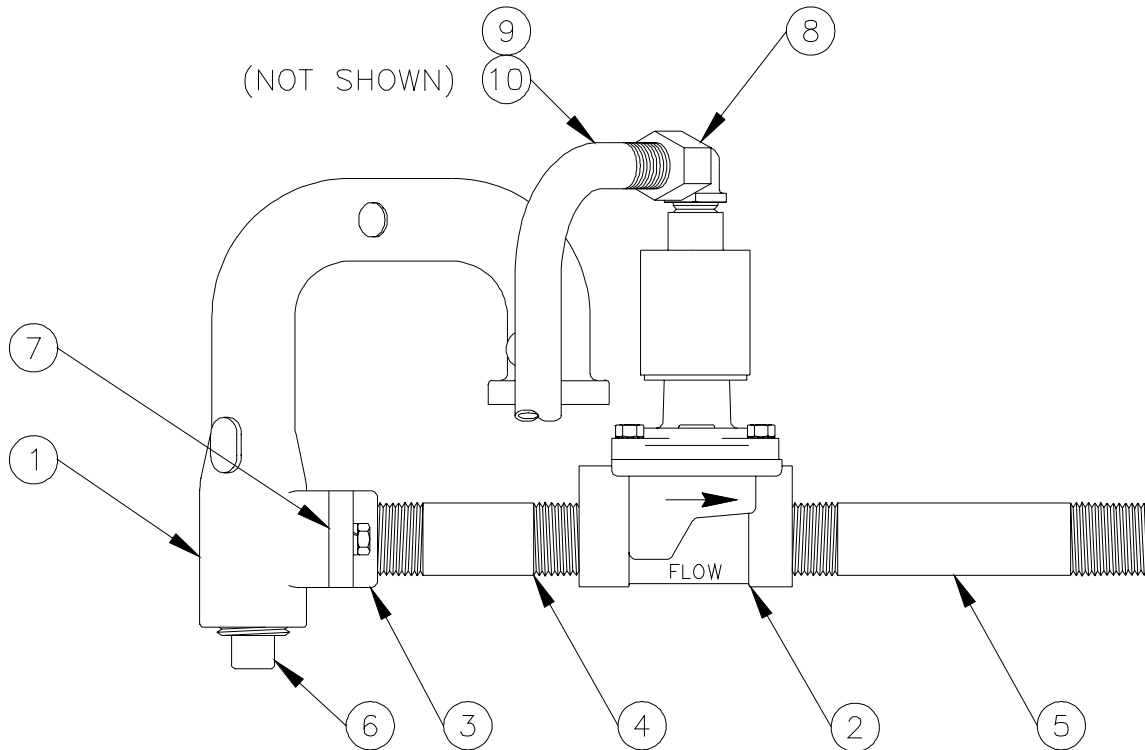


Item	Part No.	Description
1	003099	Discharge Casting, Mach
2	047305	Plug Pipe, Square Hd, 1"
3	044620	Pipe TBE, 1 x 8
4	003087	Adapter, 1" Cimtek 400 Filter
5	044577	Pipe TBE, 1 x 4-5/8
6	026018	Filter, High-Flow (Not Shown)
	026019	Filter, Hydrosorb (Not Shown)

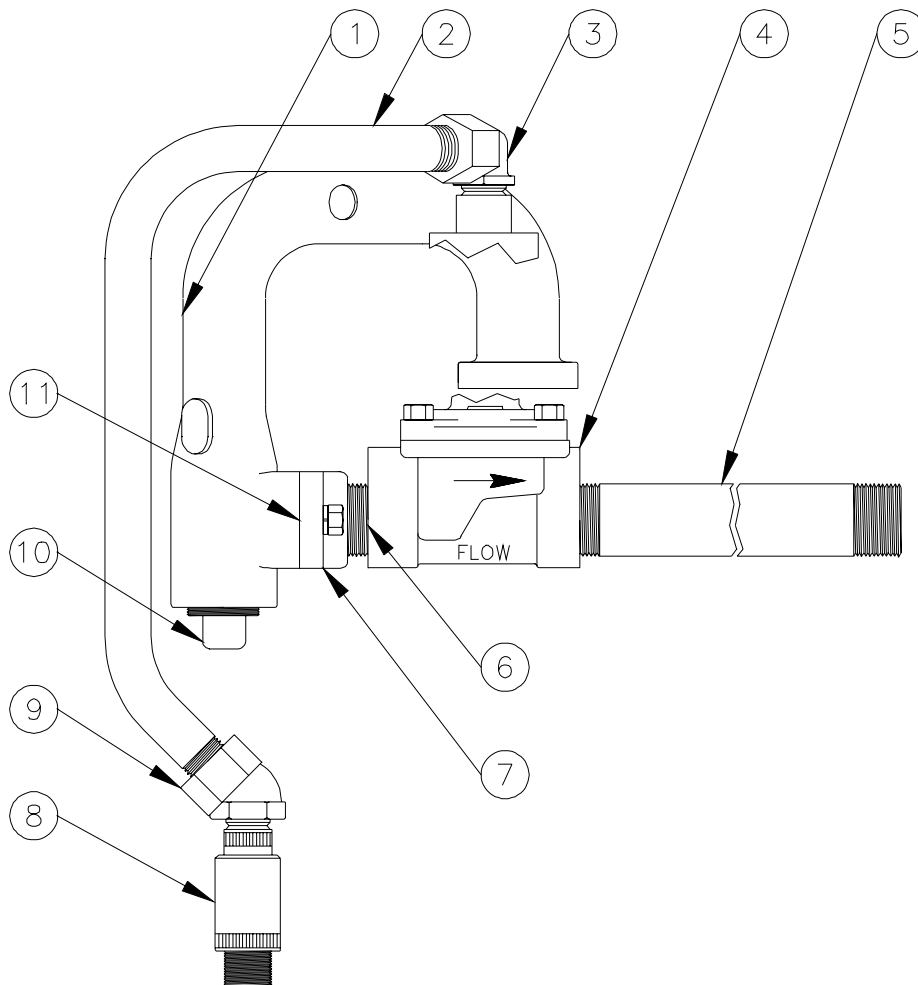
**9153A FPP, 9153AX F DISCHARGE ASSEMBLY - 097161 115V, 097172 230V**

Item	Part No.	Description
1	003016	Discharge Casting, Mach
2	067034	VL Solenoid 1", Skinner, 2-Stg, Top Cond, 115V
	067036	VL Solenoid 1", Skinner, 2-Stg, Top Cond, 230V
3	026071	Meter Flange, 1" NPT w/groove
4	044560	Pipe TBE, 1 x 4
5	038035	Pipe TBE, 1 x 1-1/2 Close Nip
6	047305	Plug Pipe, Square Head, 1"
7	027004	Gasket
8	025045	Elbow, Conduit, 1/2 x 90o M/F
9	023161	Conduit, Right Valve
11	003087	Adapter, 1" Cimtek 400 Filter
12	066400	1/2 UNY Explosion-proof Conduit Union (Not Shown)
13	026018	Filter, High-Flow (Not Shown)
	026019	Filter, Hydrosorb (Not Shown)

**9153A PP, 9153AX DISCHARGE ASSEMBLY - 097187 115V, 097181 230V**

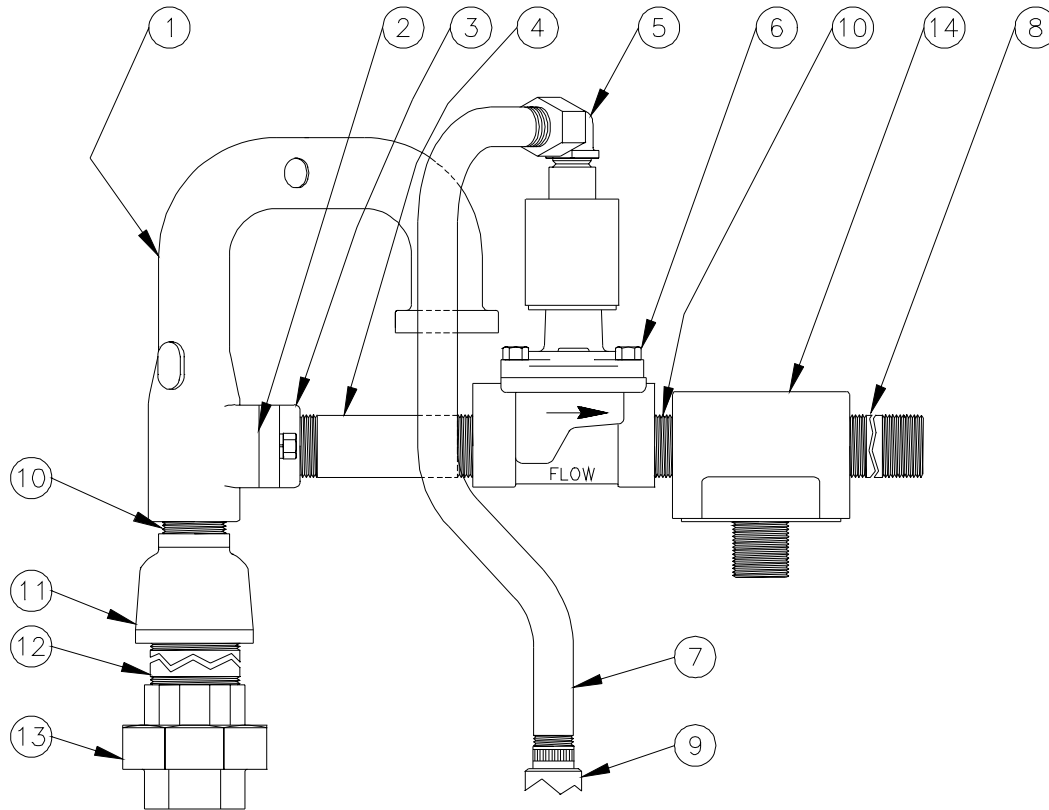


Item	Part No.	Description
1	003016	Discharge Casting, Mach
2	067034	VL Solenoid 1", Skinner, 2-Stg, Top Cond, 115V
	067036	VL Solenoid 1", Skinner, 2-Stg, Top Cond, 230V
3	026071	Meter Flange, 1" NPT w/groove
4	044560	Pipe TBE, 1 x 4
5	044635	Pipe TBE, 1 x 8-1/2
6	047305	Plug Pipe, Square Hd, 1"
7	027004	Gasket
8	025045	Elbow, Conduit, 1/2 x 90o, M/F
9	023161	Conduit, Right Valve
10	066400	1/2 UNY Explosion-proof Conduit Union (Not Shown)

**9153AHC PP DISCHARGE ASSEMBLY - 097206 115V, 097216 230V**

Item	Part No.	Description
1	003016	Discharge Casting, Mach
2	069716	Conduit, Solenoid
3	025045	Elbow, Conduit
4	067034	VL Solenoid 1", Skinner, 2-Stg, Top Cond, 115V
	067036	VL Solenoid 1", Skinner, 2-Stg, Top Cond, 230V
5	044660	Pipe TBE, 1 x 10-1/2
6	038035	Pipe TBE, 1 x 1-1/2 Close Nip
7	026071	Meter Flange, 1" NPT w/groove
8	066400	1/2 UNY Explosion-proof Conduit Union
9	025015	Elbow, Conduit, 1/2 x 45o M/F
10	047305	Plug Pipe, Square Hd, 1"
11	027004	Gasket

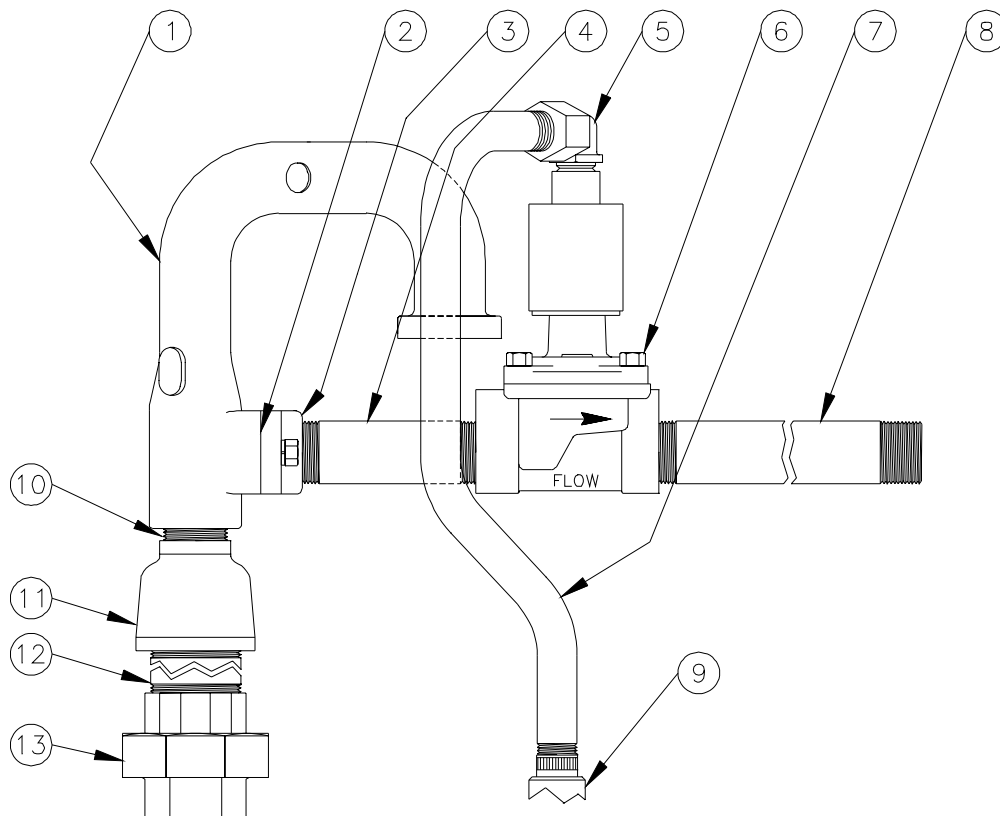
**9153AX FS DISCHARGE ASSEMBLY - 097197 115V, 097224 230V**



Item	Part No.	Description
1	003016	Discharge Casting, Mach
2	027004	Gasket
3	026071	Meter Flange, 1" NPT w/groove
4	044560	Pipe TBE, 1 x 4
5	025045	Elbow, Conduit
6	067034	VL Solenoid 1", Skinner, 2-Stg, Top Cond, 115V
	067036	VL Solenoid 1", Skinner, 2-Stg, Top Cond, 230V
7	023161	Conduit, Right Valve
8	044560	Pipe TBE, 1 x 4
9	066400	1/2" UNY Explosion-Proof Conduit
10	038035	Pipe TBE, 1 x 1-1/2 Close Nip
11	021984	Pipe Coupling, Reducer 1-1/2 x 1
12	044901	Pipe TBE 1-1/2 x 13-1/2
13	066385	Union, 1-1/2, #150 Stockham
14	003087	Adapter, 1" Cimtek 400 Filter

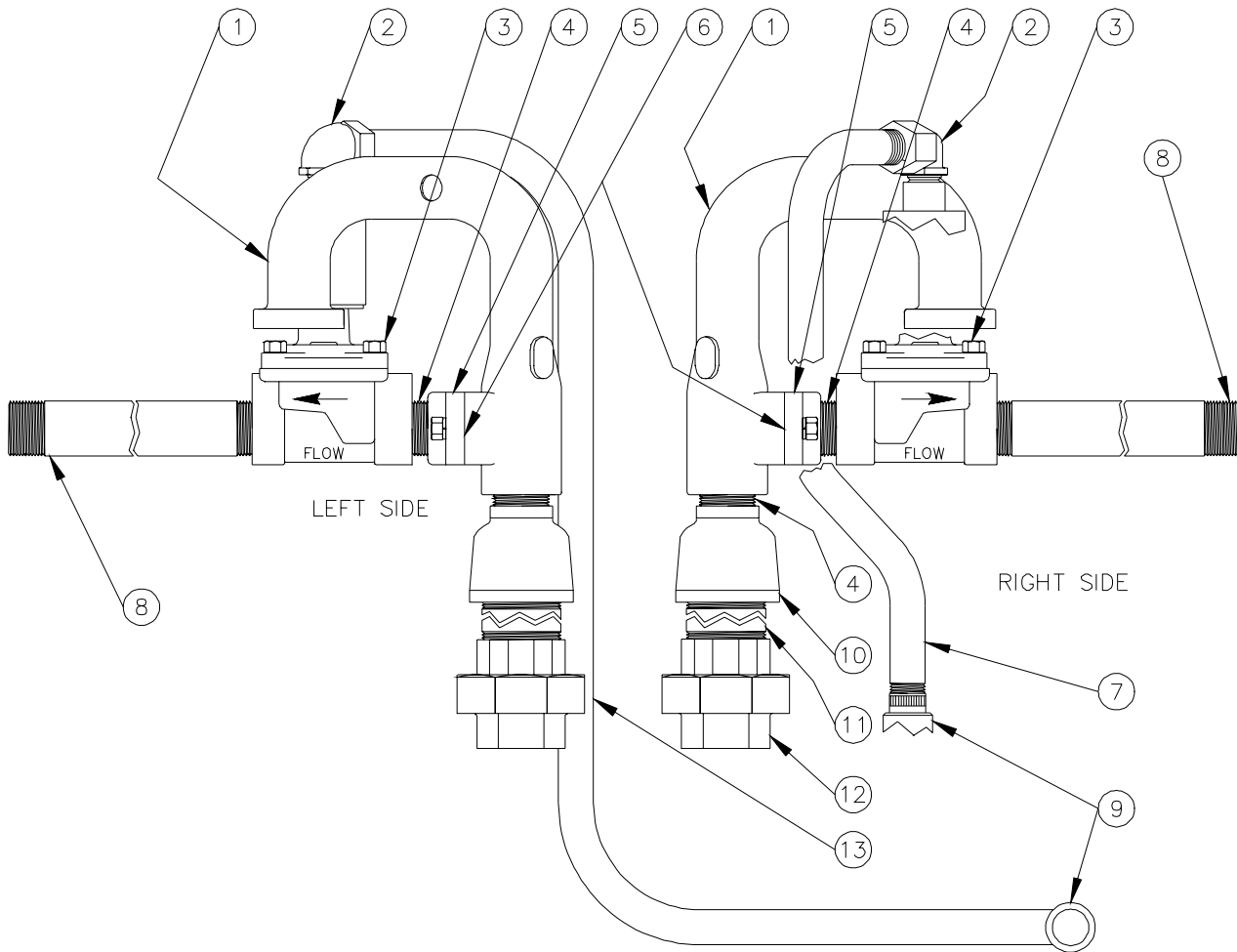


## 9153AX S DISCHARGE ASSEMBLY - 097196 115V, 097223 230V

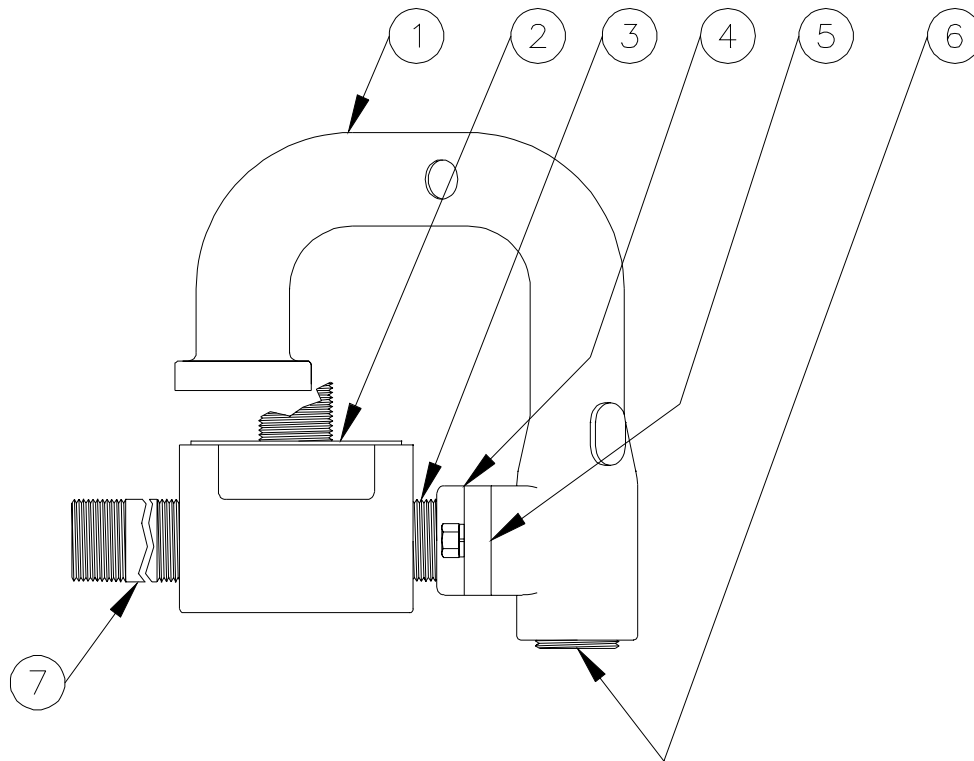


Item	Part No.	Description
1	003016	Discharge Casting, Mach
2	027004	Gasket
3	026071	Meter Flange, 1" NPT w/groove
4	044560	Pipe TBE, 1 x 4
5	025045	Elbow, Conduit
6	067034	VL Solenoid 1", Skinner, 2-Stg, Top Cond, 115V
	067036	VL Solenoid 1", Skinner, 2-Stg, Top Cond, 230V
7	023161	Conduit, Right Valve
8	044620	Pipe TBE, 1 x 8
9	066400	1/2" UNY Explosion-Proof Conduit
10	038035	Pipe TBE, 1 x 1-1/2 Close Nip
11	021984	Pipe Coupling, Reducer 1-1/2 x 1
12	044901	Pipe TBE 1-1/2 x 13-1/2
13	066385	Union, 1-1/2, #150 Stockham

**9153AXTW S DISCHARGE ASSEMBLY - 097199 115V, 097225 230V**



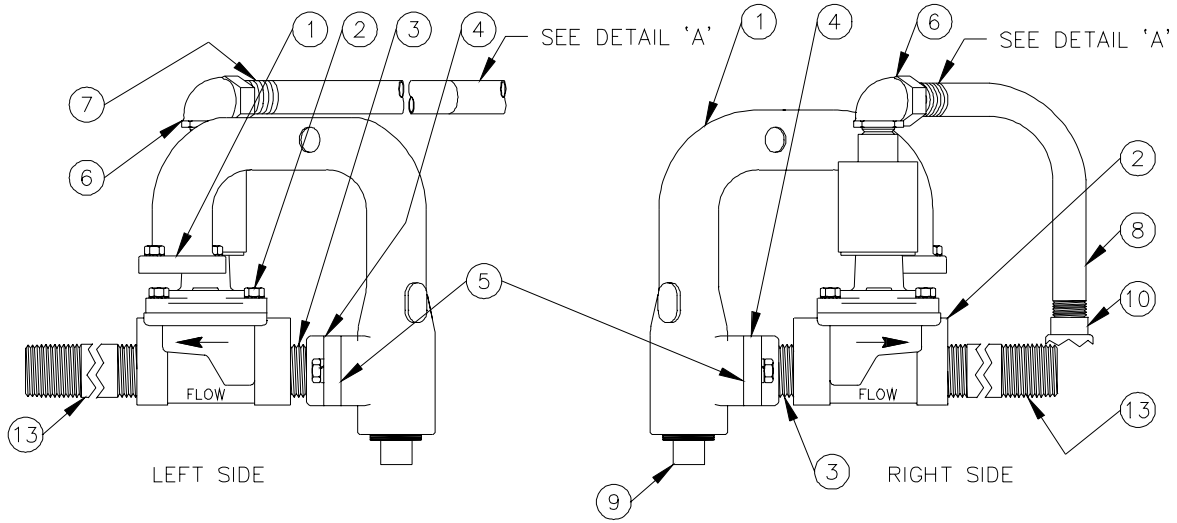
Item	Part No.	Description
1	003016	Discharge Casting, Mach
2	025045	Elbow, Conduit
3	067034	VL Solenoid 1", Skinner, 2-Stg, Top Cond, 115V
	067036	VL Solenoid 1", Skinner, 2-Stg, Top Cond, 230V
4	038035	Pipe TBE, 1 x 1-1/2 Close Nip
5	026071	Meter Flange, 1" NPT w/groove
6	027004	Gasket
7	023161	Conduit, Right Valve
8	044614	Pipe TBE, 1 x 7-1/2
9	066400	1/2" UNY Explosion-Proof Conduit
10	021984	Pipe Coupling, Reducer 1-1/2 x 1
11	044901	Pipe TBE 1-1/2 x 13-1/2
12	066385	Union, 1-1/2, #150 Stockham
13	023162	Conduit, Left Side Valve

**9153ATW1M F, 9153ATW2 F DISCHARGE ASSEMBLY - 097205**

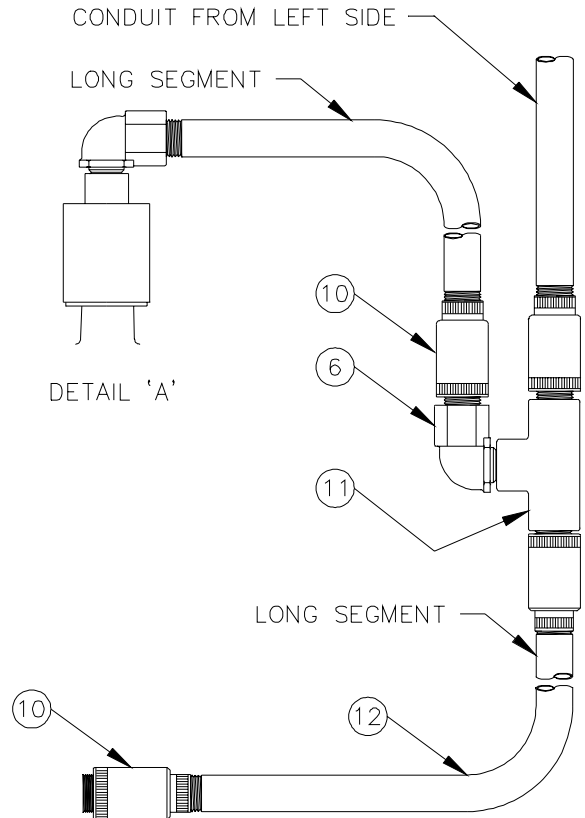
LEFT SIDE AND RIGHT SIDE

Item	Part No.	Description
1	003016	Discharge Casting, Mach
2	003087	Adapter, 1" Cimtek 400 Filter
3	038035	Pipe TBE, 1 x 1-1/2 Close Nip
4	026071	Meter Flange, 1" NPT w/groove
5	027004	Gasket
6	047310	1" NPT BIP Sq. Socket Plug
7	044661	Pipe TBE, 1 x 4-7/8

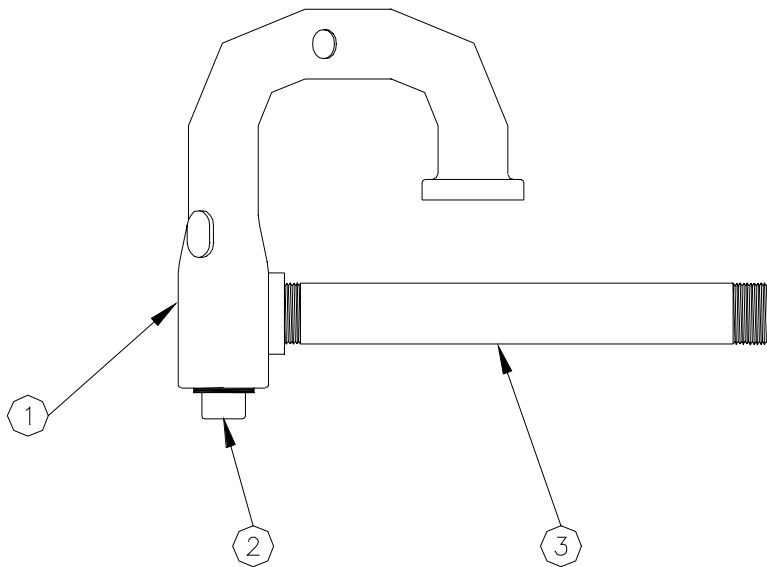
**9153ATW1M, 9153ATW2 DISCHARGE ASSEMBLY - 097154, 60HZ; 097166, 50HZ**



Item	Part No.	Description
1	003016	Discharge Casting, Mach
2	067034	VL Solenoid 1", Skinner, 2-Stg, Top Cond, 120V
	067036	VL Solenoid 1", Skinner, 2-Stg, Top Cond, 220V
3	038035	Pipe TBE, 1 x 1-1/2 Close Nip
4	026071	Meter Flange, 1" NPT w/groove
5	027004	Gasket
6	025045	Elbow, Conduit, 1/2 x 90o, M/F
7	021896	Conduit, Upper Left
8	021894	Conduit, Upper Right
9	047305	Plug Pipe, Square Head, 1"
10	066400	1/2 UNY Explosion-proof Conduit Union
11	064840	Tee
12	021895	Conduit, Valve Lower
13	044661	Pipe TBE, 1 x 4-7/8

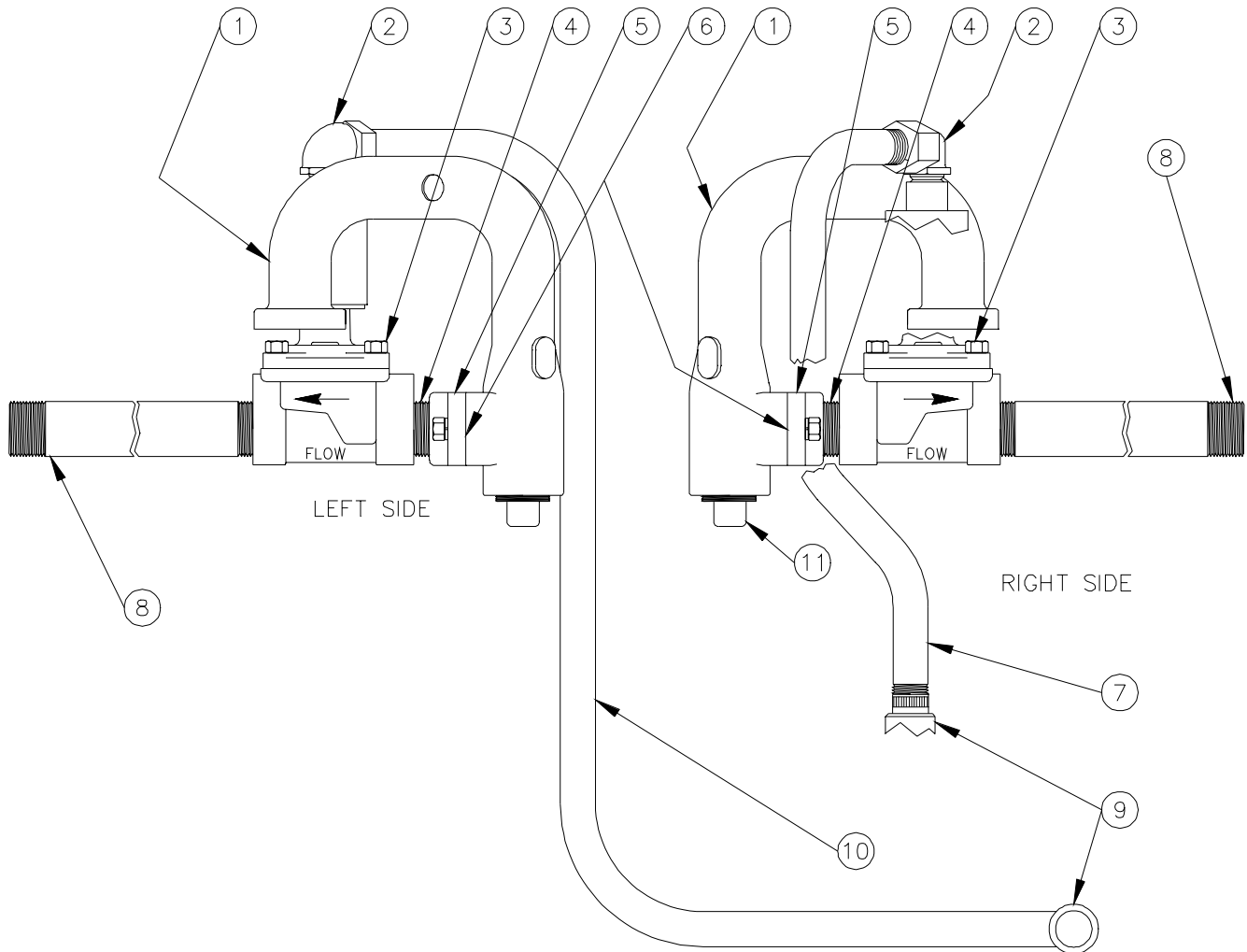


**9153ATW1M, 9153ATW2 DISCHARGE ASSEMBLY - 097155**



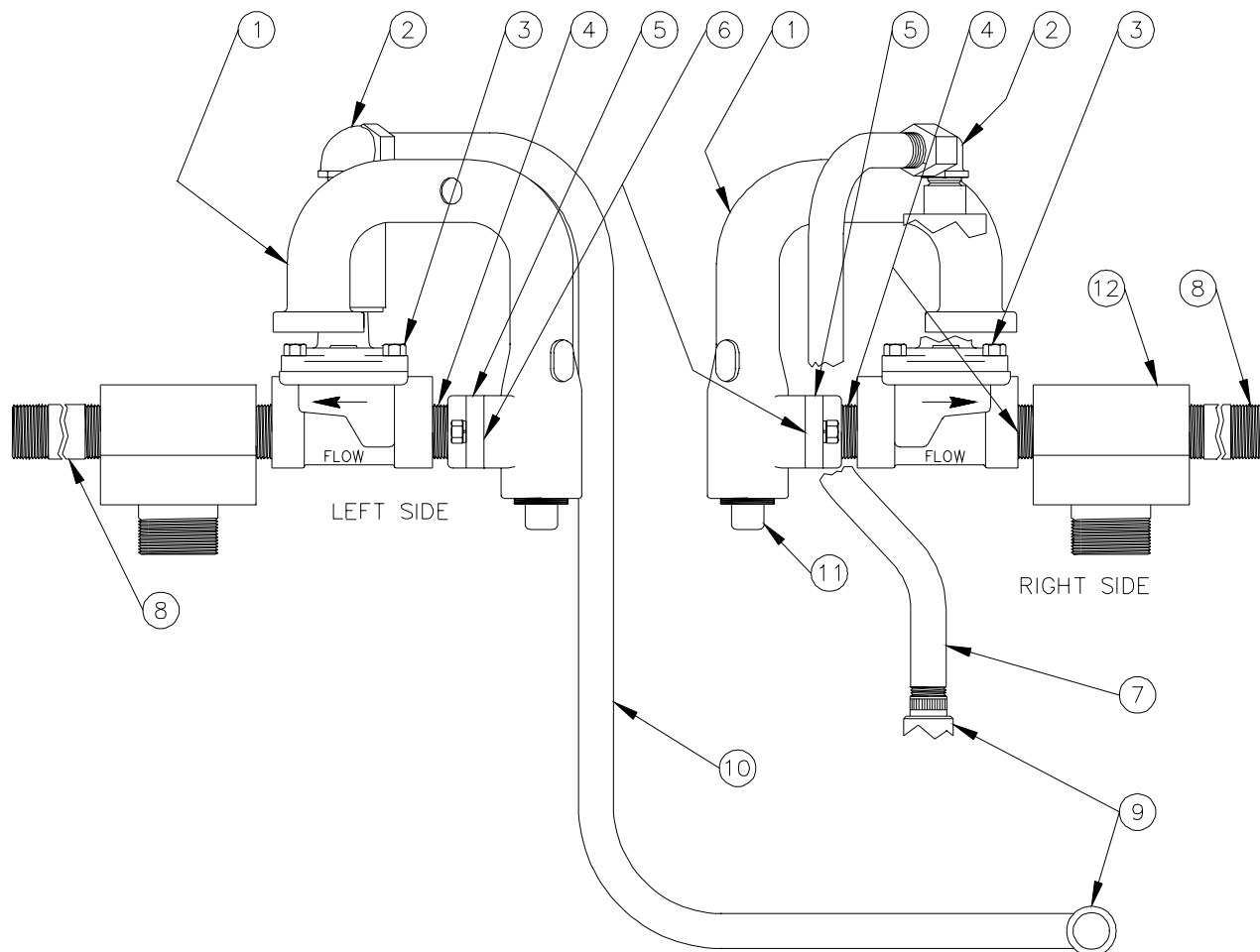
Item	Part No.	Description
1	003099	Discharge Casting, Mach
2	047310	1" NPT BIP Sq Socket Pipe Plug
3	044660	Pipe TBE, 1 x 10-1/2

**9153AXTW DISCHARGE ASSEMBLY - 097185 115V, 097179 230V**



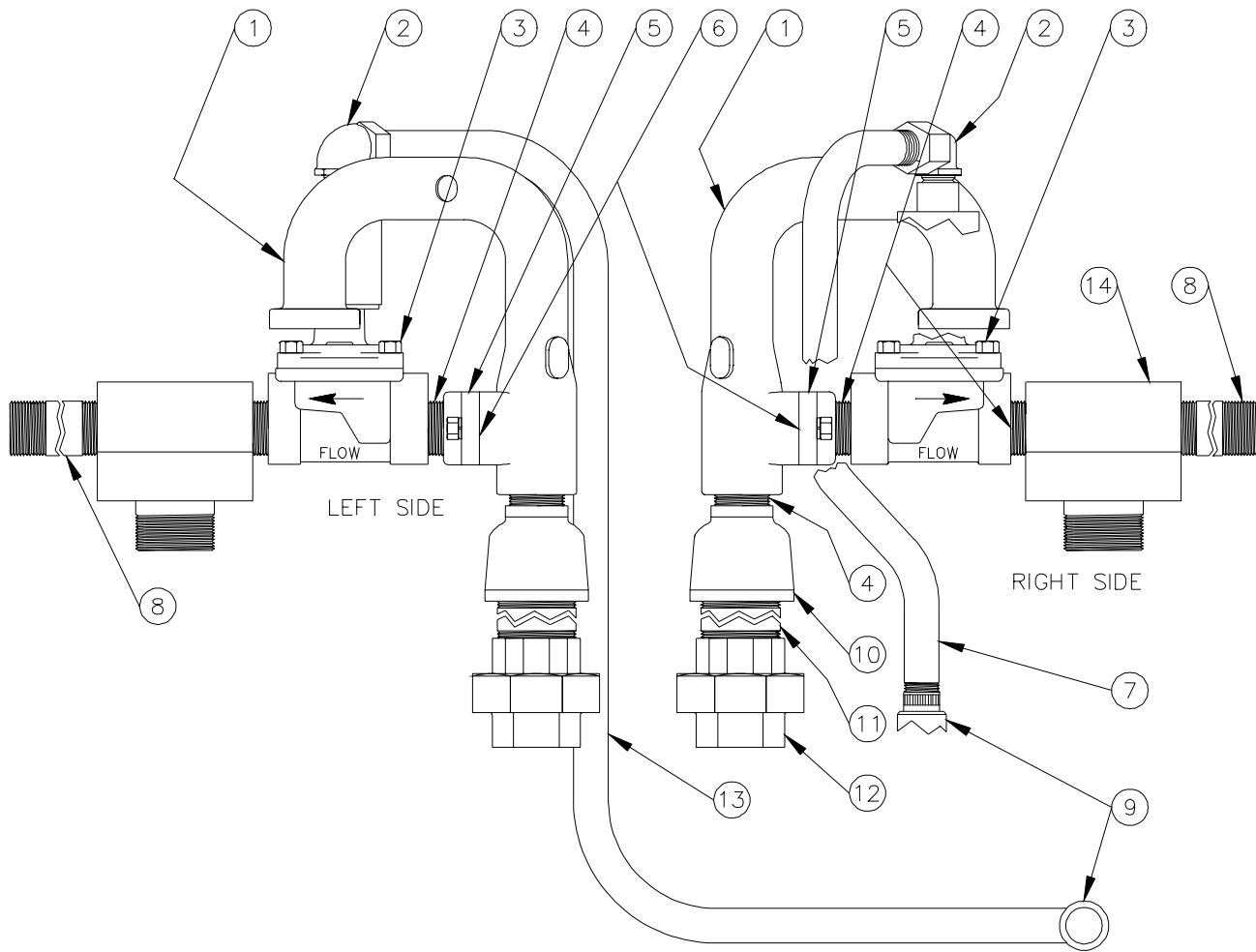
Item	Part No.	Description
1	003016	Discharge Casting, Mach
2	025045	Elbow, Conduit
3	067034	VL Solenoid 1", Skinner, 2-Stg, Top Cond, 115V
	067036	VL Solenoid 1", Skinner, 2-Stg, Top Cond, 230V
4	038035	Pipe TBE, 1 x 1-1/2 Close Nip
5	026071	Meter Flange, 1" NPT w/groove
6	027004	Gasket
7	023161	Conduit, Right Valve
8	044614	Pipe TBE, 1 x 7-1/2
9	066400	1/2" UNY Explosion-Proof Conduit
10	023162	Conduit, Left Side Valve
11	047305	Plug Pipe Sq Hd, 1"

### 9153AXTW F DISCHARGE ASSEMBLY - 097174 115V, 097176 230V



Item	Part No.	Description
1	003016	Discharge Casting, Mach
2	025045	Elbow, Conduit
3	067034	VL Solenoid 1", Skinner, 2-Stg, Top Cond, 115V
	067036	VL Solenoid 1", Skinner, 2-Stg, Top Cond, 230V
4	038035	Pipe TBE, 1 x 1-1/2 Close Nip
5	026071	Meter Flange, 1" NPT w/groove
6	027004	Gasket
7	023161	Conduit, Right Valve
8	044525	Pipe TBE, 1 x 3
9	066400	1/2" UNY Explosion-Proof Conduit
10	023162	Conduit, Left Side Valve
11	047305	Plug Pipe Sq Hd 1"
12	003087	Adapter, 1" Cimtek 400 Filter

**9153AXTW FS DISCHARGE ASSEMBLY - 097198 115V, 097226 230V**



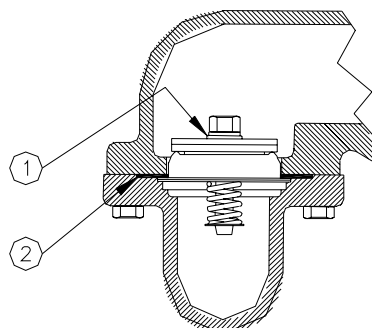
Item	Part No.	Description
1	003016	Discharge Casting, Mach
2	025045	Elbow, Conduit
3	067034	VL Solenoid 1", Skinner, 2-Stg, Top Cond, 115V
	067036	VL Solenoid 1", Skinner, 2-Stg, Top Cond, 230V
4	038035	Pipe TBE, 1 x 1-1/2 Close Nip
5	026071	Meter Flange, 1" NPT w/groove
6	027004	Gasket
7	023161	Conduit, Right Valve
8	044525	Pipe TBE, 1 x 3
9	066400	1/2" UNY Explosion-Proof Conduit
10	021984	Pipe Coupling, Reducer 1-1/2 x 1
11	044901	Pipe TBE 1-1/2 x 13-1/2
12	066385	Union, 1-1/2, #150 Stockham
13	023162	Conduit, Left Side Valve
14	003087	Adapter, 1" Cimtek 400 Filter



## CHECK VALVES

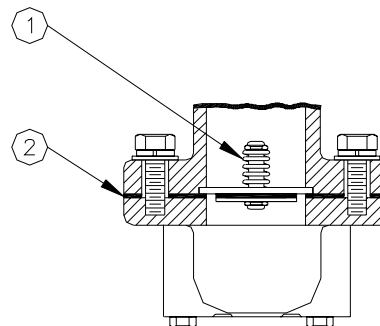
**Models:** 9152AX, 9153AX, 9152AXTW, 9153AXTW, 9140AX

Item	Part No.	Description
1	035319	Check Valve Assy.
2	027005	Gasket



**Models:** 9153ATW1M (Units built prior to 8/97)

Item	Part No.	Description
1	047069	Check Valve Assy., Dsl
	047077	Check Valve Assy., Gas
2	027001	Pump Inlet Gasket

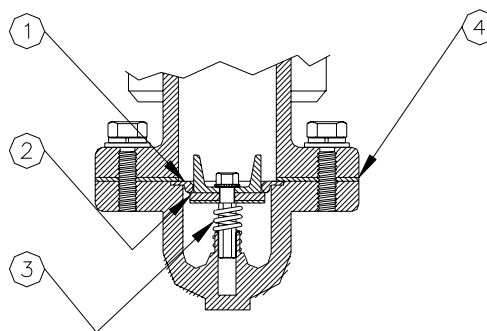


**Model:** 9153AHC and 9140A; 9153ATW1M (gasoline only) Units built after 8/97

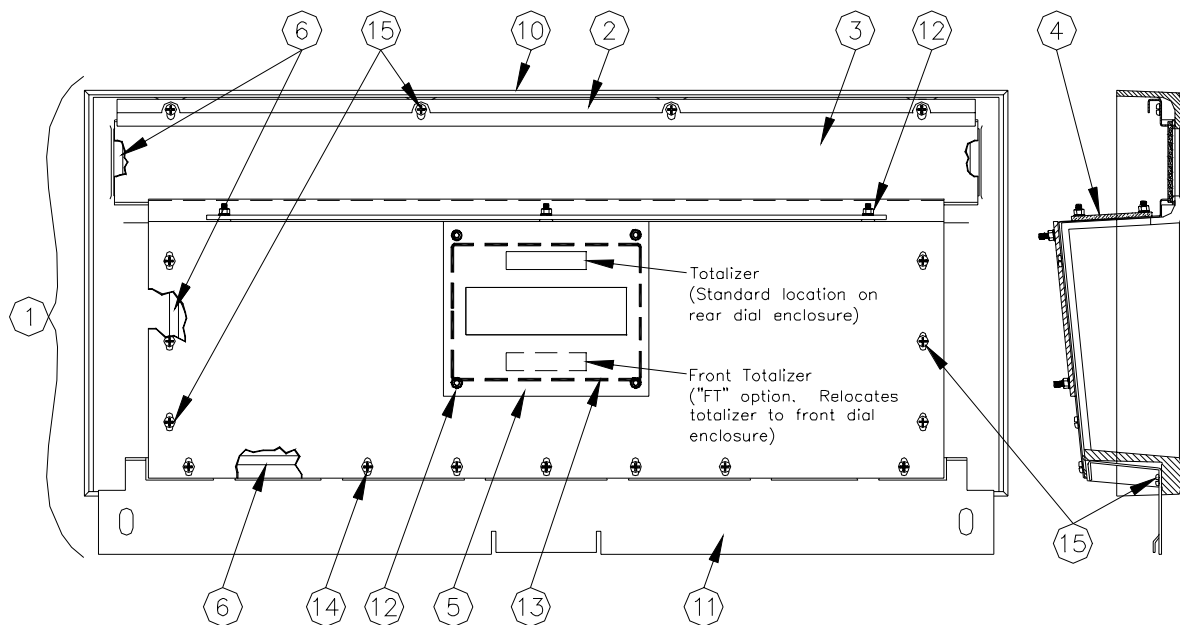
**035329\* Check Valve Assembly**

Item	Part No.	Description
1	058018	Valve Seat
2	058017	Poppet Disc Assy.
3	058016*	Spring, Gasoline
	058022	Spring, Diesel
4	027001	Pump Inlet Gasket

**\*NOTE:** 9153ATW1M in diesel applications (built after 8/97) uses check valve assembly P/N 035331, which contains diesel spring, P/N 058022.



## DIAL ENCLOSURE ASSEMBLY, SINGLE



**Item Part No. Description**

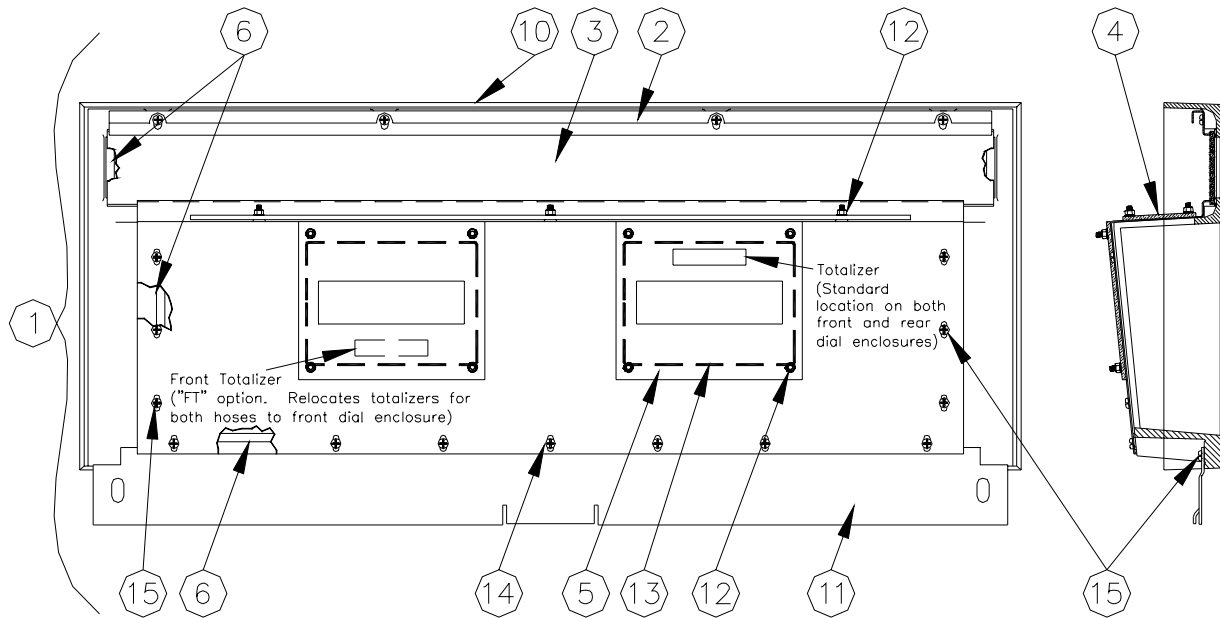
1 026121 Dial Enclosure Assembly Complete , Single, without totalizer window  
 026118 Dial Enclosure Assembly Complete, Single, with totalizer window  
 026128 Dial Enclosure Assembly Complete, Single, with front totalizer (FT option)  
 These assemblies include all items listed below. When ordering a complete dial enclosure assembly, you must also specify one of the following silkscreened text variations:  
 025322 Gallons without totalizer      025323 Gallons with totalizer  
 025485 Gallons w/ optional front totalizer  
 025396 Litres without totalizer      025397 Litres with totalizer  
 These silkscreens have a white background with black text. If you have a special variation, you must include the serial number of your dispenser with your order.

2	011309	Latch Bar, Single	11	011366	Lock bar
3	028837	Display Glass, w/optional silkscreen	12	039069	Nut, Hex Keps, 6-32
4	033716	Dial Lens (See NOTE 1)	13	C08099	Silicone Sealant (See NOTE 1)
5	028838	Dial Glass (See NOTE 1)	14	053737	Screw, 8-32 x 3/8, self-tapping (7 across bottom of sheet metal)
6	027019	Gasket, 10 ft. strip	15	053640	Screw, 8-18 x 3/8, self-tapping
10		Bezel, Plastic (Not available for individual sale; see NOTE 2)			

**NOTE 1:** When replacing individual components such as the dial glass or lens, you must use silicone sealant to properly seal the unit from external moisture.

**NOTE 2:** The part numbers for the plastic bezel and the silkscreened sheet metal are not listed individually, since they must be ordered only as part of the complete assembly.

## DIAL ENCLOSURE ASSEMBLY, TWIN



Item Part No. Description

- 1 026120 Dial Enclosure Assembly Complete, Twin  
 026127 Dial Enclosure Assembly Complete, Twin, w/optional front totalizer (FT option)  
 These assemblies include all items listed below. When ordering a complete dial enclosure assembly, you must also specify one of the following silkscreened text variations:  
 025327 Gallons 025492 Gallons w/ optional front totalizer  
 025398 Litres

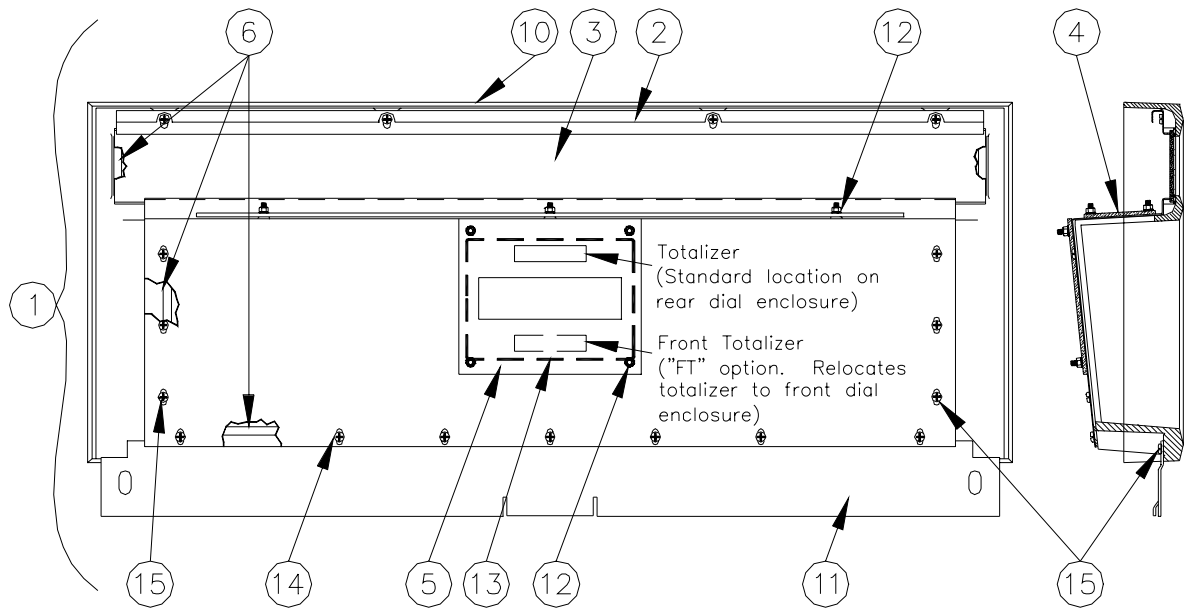
These silkscreens have a white background with black text. If you have a special variation, you must include the serial number of your dispenser with your order.

- 2 011308 Latch Bar, Twin  
 3 028839 Display Glass, w/optional silkscreen  
 4 033716 Dial Lens (See NOTE 1)  
 5 028838 Dial Glass (See NOTE 1)  
 6 027019 Gasket, 10 ft. strip  
 10 Bezel, Plastic (Not available for individual sale; see NOTE 2)  
 11 011367 Lock bar  
 12 039069 Nut, Hex Keps, 6-32  
 13 C08099 Silicone Sealant (See NOTE 1)  
 14 053737 Screw, 8-32 x 3/8, self-tapping (7 across bottom of sheet metal)  
 15 053640 Screw, 8-18 x 3/8, self-tapping

NOTE 1: When replacing individual components such as the dial glass or lens, you must use silicone sealant to properly seal the unit from external moisture.

NOTE 2: The part numbers for the plastic bezel and the silkscreened sheet metal are not listed individually, since they must be ordered only as part of the complete assembly.

## DIAL ENCLOSURE ASSEMBLY, 9140A, 9140AX



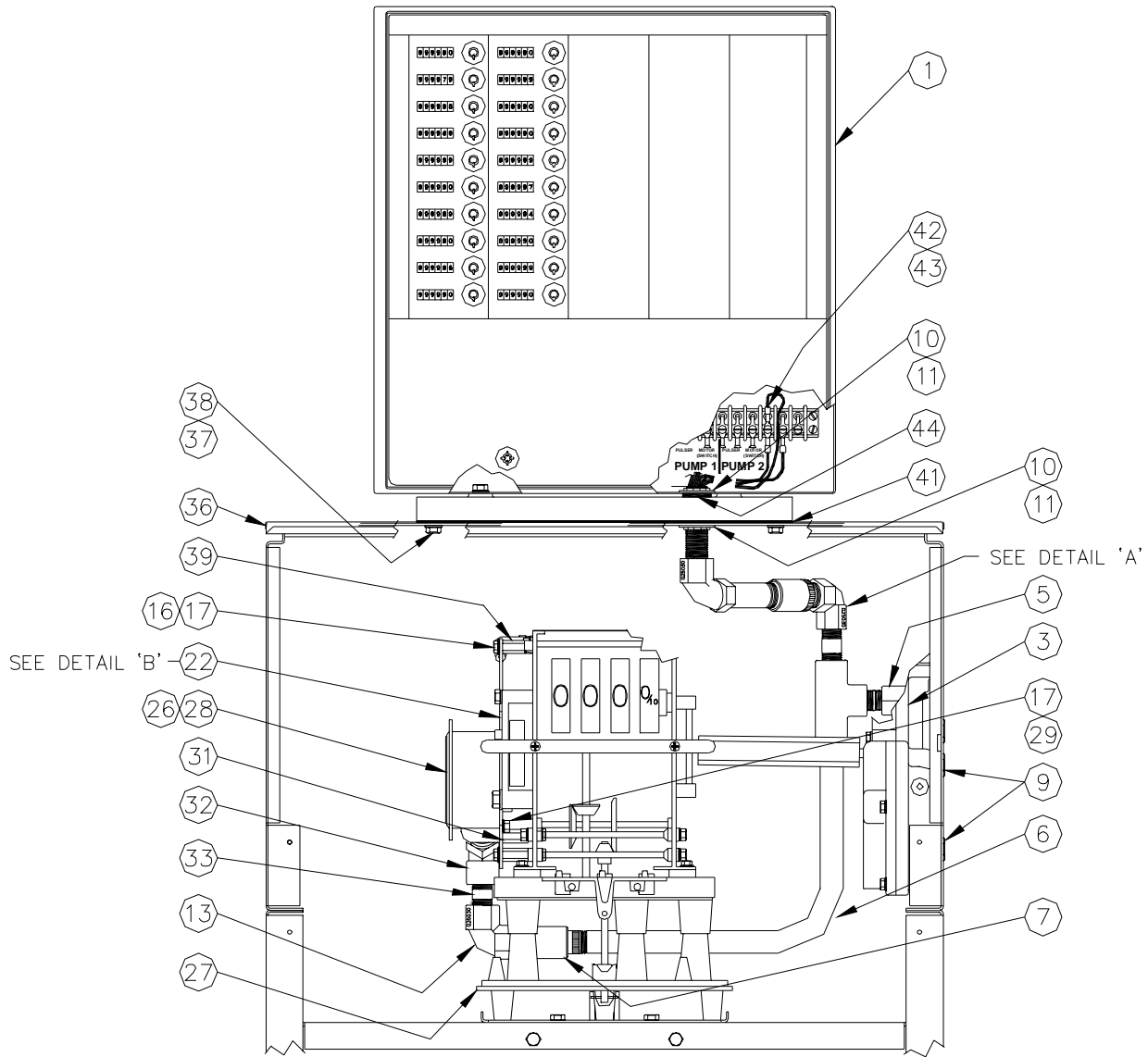
- |   |        |  |
|---|--------|--|
| 1 | 024806 | Dial Enclosure Assembly Complete, 9140A/9140AX without totalizer window              |
|   | 024805 | Dial Enclosure Assembly Complete, 9140A/9140AX with totalizer window                 |
|   | 026216 | Dial Enclosure Assembly Complete, 9140/9140AX w/optional front totalizer (FT option) |
- These assemblies include all items listed below. When ordering a complete dial enclosure assembly, you must also specify one of the following silkscreened text variations:
- |        |                                     |        |                        |
|--------|-------------------------------------|--------|------------------------|
| 025413 | Gallons without totalizer           | 025412 | Gallons with totalizer |
| 026217 | Gallons w/ optional front totalizer |        |                        |
| 025423 | Litres without totalizer            | 025424 | Litres with totalizer  |
- These silkscreens have a black background with white text. If you have a special variation, you must include the serial number of your dispenser with your order.
- |    |        |  |
|----|--------|--|
| 2  | 011308 | Latch Bar  |
| 3  | 028839 | Display Glass, w/optional silkscreen                             |
| 4  | 033716 | Dial Lens (See NOTE 1)   |
| 5  | 028838 | Dial Glass (See NOTE 1)  |
| 6  | 027019 | Gasket, 10 ft. strip   |
| 10 |        | Bezel, Plastic (Not available for individual sale; see NOTE 2)   |
| 11 | 011367 | Lock bar   |
| 12 | 039069 | Nut, Hex Keps, 6-32  |
| 13 | C08099 | Silicone Sealant (See NOTE 1)                                    |
| 14 | 053737 | Screw, 8-32 x 3/8, self-tapping (7 across bottom of sheet metal) |
| 15 | 053640 | Screw, 8-18 x 3/8, self-tapping                                  |

**NOTE 1:** When replacing individual components such as the dial glass or lens, you must use silicone sealant to properly seal the unit from external moisture.

**NOTE 2:** The part numbers for the plastic bezel and the silkscreened sheet metal are not listed individually, since they must be ordered only as part of the complete assembly.

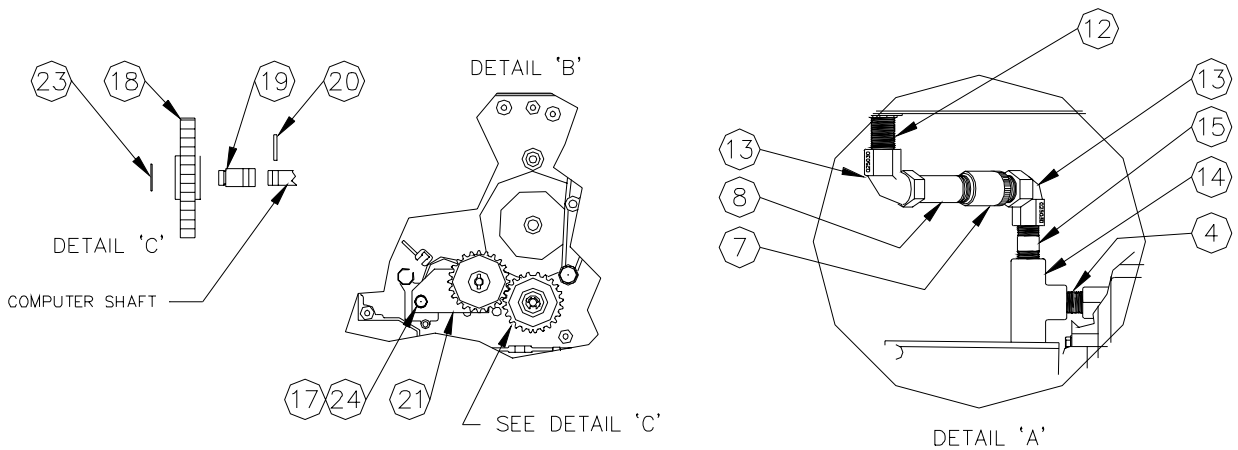
**Page intentionally left blank.**

**ELECTRIC KEYTROL ASSEMBLY, SINGLE PUMP AND DISPENSER**



SEE DETAIL 'B'

SEE DETAIL 'A'

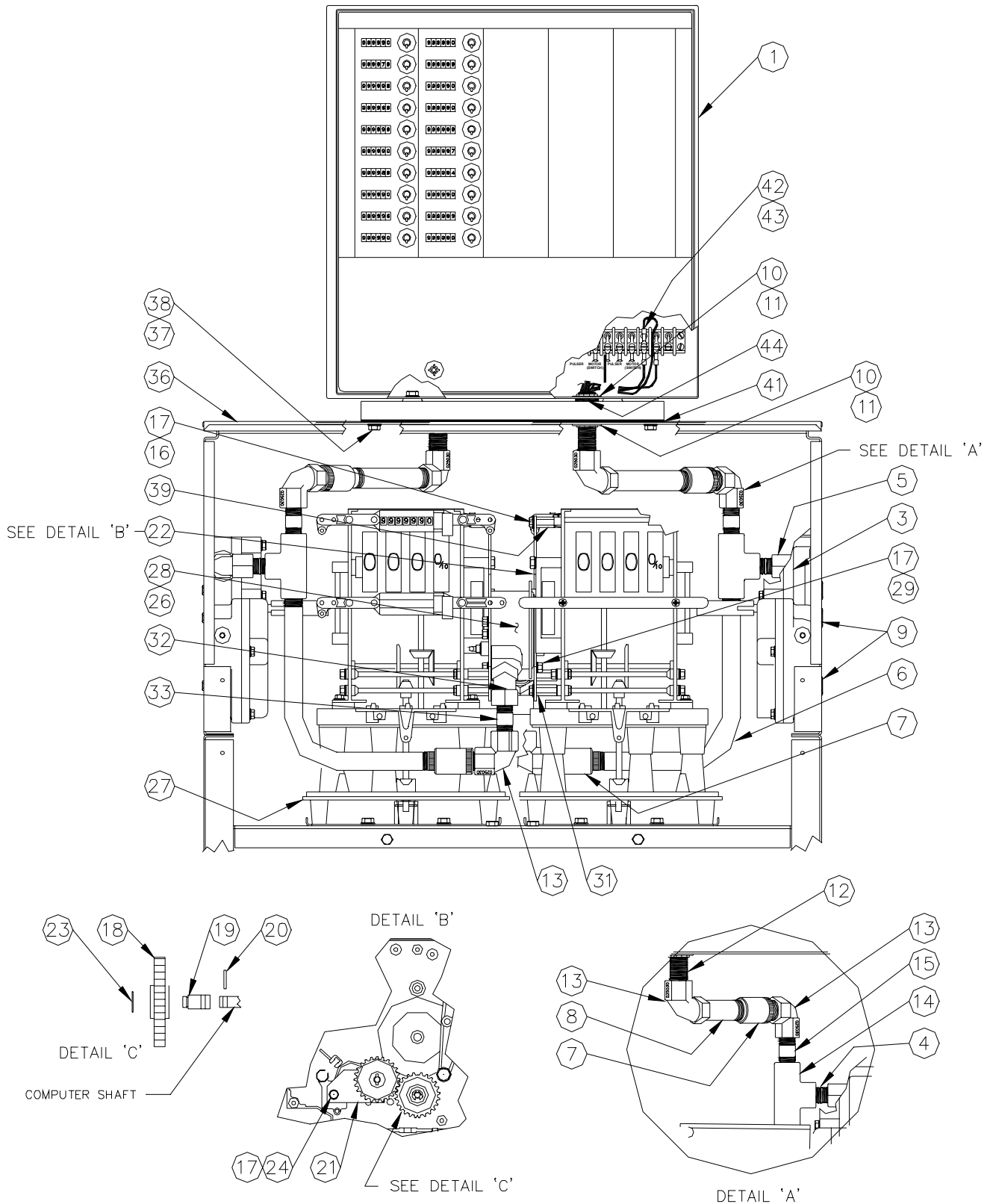


**ELECTRIC KEYTROL ASSEMBLY, SINGLE PUMP AND DISPENSER**

Item	Part No.	Description
1	-----	Electrical Keytrol (see <i>Electrical Keytrol Parts List, 035242</i> )
3		Reset Assy. (See table in breakdown <b>Electric Reset</b> )
4	038050	Pipe TBE, 1/2 x 1-1/8 Zinc Plated
	038125	Conduit, 1/2 x 4, 9140, 9140AX
5	025045	Elbow, Conduit 1/2 x 90 M/F
6	069737	Conduit
7	066400	1/2 UNY Explosion-proof cond union
8	021377	Conduit, 1/2 x 6
9	051790	Screw, 1/4-20 x 1/2 HHC
10	039209	Locknut, 1/2NPT Machined
11	068443	Conduit Washer
12	021737	Conduit, 1/2 x 3 NPS Threads.
13	025030	Elbow-Conduit, 1/2 x 90 F/F
14	064830	Conduit Tee
15	021345	Pipe TBE, 1/2 x 1-1/2 Zinc Plated
16	051806	Screw, 1/4-28 x 5/8 HHC
17	068891	Lockwasher-Ext 1/4 1114
26	023596	Decal, 10:1 Pulser
27	021079	Non-Computer, Gallon
	021071	Non-Computer, Liter
28	046973	Pulser, 10:1 & Coupling Assy.
29	051805	Screw, 1/4-20 x 5/8 HHC
31	056877	Spacer
32	025015	Elbow, Conduit 1/2 x 45o M/F
33	021337	Conduit, 1/2 x 2
36	022479	Cover, Top, 9100AEK Master, Painted (See Note)
	022478	Cover, Top, 9100AEK Master, SS
	022482	Cover, Top, 9100AEK Mast/Aux, Painted (See Note)
	022488	Cover, Top, 9140AEK Mast/Aux, Painted (See Note)
	022481	Cover, Top, 9100AEK Mast/Aux, SS
	022487	Cover, Top, 9140AEK Mast/Aux, SS
	022486	Cover, Top, 9140AEK Mast/Split, Painted (See Note)
	022485	Cover, Top, 9140AEK Mast/Split, SS
37	051895	Screw, 5/16-18 x 3/4 HHC
38	068875	Lockwasher, 5/16 PL
39	056895	Spacer, Top
41	027146	Gasket, 1/8 x 1/4 x 3' LG
42	C01027	Term, Wire Spade #8 (16-14)-BLU
43	C01028	Term, Wire Spade #6 (22-16)-RED
44	049001	Square Cut Ring, #7-214

**NOTE:** Specify standard color (black, white, red). If not a standard color, specify serial number of pump/dispenser.

**ELECTRIC KEYTROL ASSEMBLY, TWIN PUMP AND DISPENSER**



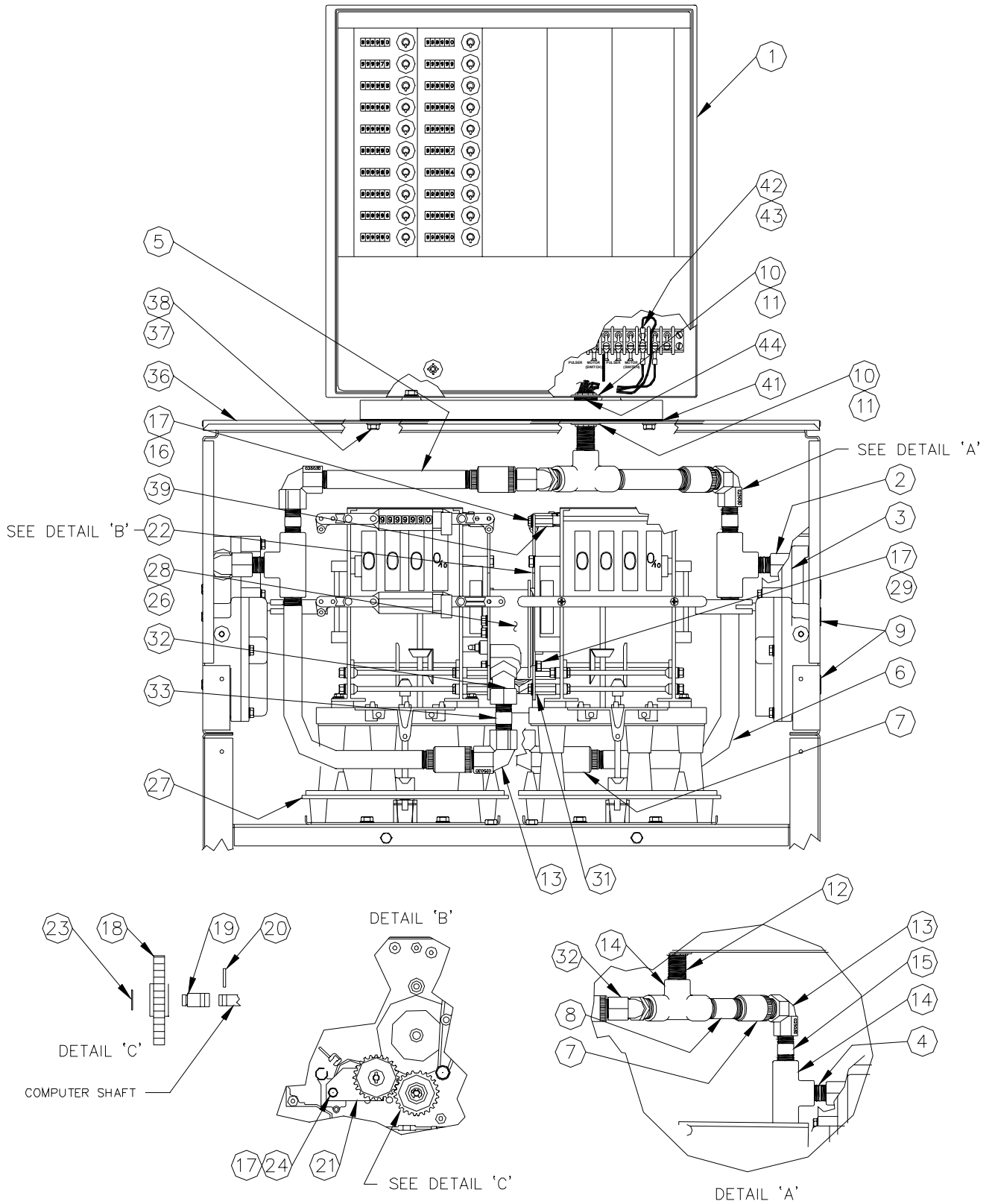


**ELECTRIC KEYTROL ASSEMBLY, TWIN PUMP AND DISPENSER**

Item	Part No.	Description
1	-----	Electrical Keytrol (see <i>Electrical Keytrol Parts List, 035242</i> )
3		Reset Assy. (See <i>table in breakdown <b>Electric Reset</b></i> )
4	038050	Pipe TBE, 1/2 x 1-1/8 Zinc Plated
5	025045	Elbow, Conduit 1/2 x 90 M/F
6	069726	Conduit, 9100ATW EK
7	066400	1/2 UNY Explosion-proof cond union
8	021347	Conduit
9	051790	Screw, 1/4-20 x 1/2 HHC
10	039209	Locknut, 1/2 NPT Machined
11	068443	Conduit Washer
12	021737	Conduit, 1/2 x 3 NPS Threads.
13	025030	Elbow, Conduit 1/2 x 90 F/F
14	064830	Conduit Tee
15	021337	Conduit, 1/2 x 2
16	051806	Screw, 1/4-28 x 5/8 HHC
17	068891	Lockwasher, Ext 1/4 1114
18	027041	Gear, Quantity
19	031035	Hub, Quan. Shaft Extension
20	043225	Pin, Spirol 5/64 x 7/16 STD PL
21	027044	Plate & Idler Gear Assy.
22	046970	Plate, Mounting
23	049406	Ring Ret 5133-25-ZF
24	053920	Screw, 1/4-20 x 5/8 Wash HD Type-T
26	023596	Decal, 10:1 Pulser
27	021079	Non-Computer, Gallon
	021071	Non-Computer, Liter
28	046973	Pulser, 10:1 & Coupling Assy.
29	051805	Screw, 1/4-20 x 5/8 HHC
31	056877	Spacer
32	025015	Elbow, Conduit 1/2 x 45o M/F
33	021345	Pipe TBE, 1/2 x 1-1/2 Zinc Plated
36	022619	Cover, Top 9100ATW Mast/Aux, Painted (See Note)
	022618	Cover, Top 9100ATW Mast/Aux, SS
37	051895	Screw, 5/16-18 x 3/4 HHC
38	068875	Lockwasher, 5/16 PL
39	056895	Spacer, Top
41	027146	Gasket, 1/8 x 1/4 x 3 Ft Lg.
42	C01027	Term, Wire Spade #8 (16-14)-BLU
43	C01028	Term, Wire Spade #6 (22-16)-RED
44	049001	Square Cut Ring, #7-214

**NOTE:** Specify standard color (black, white, red). If not a standard color, specify serial number of pump/dispenser.

**ELECTRIC KEYTROL ASSEMBLY, SPLIT - TWIN PUMP AND DISPENSER**

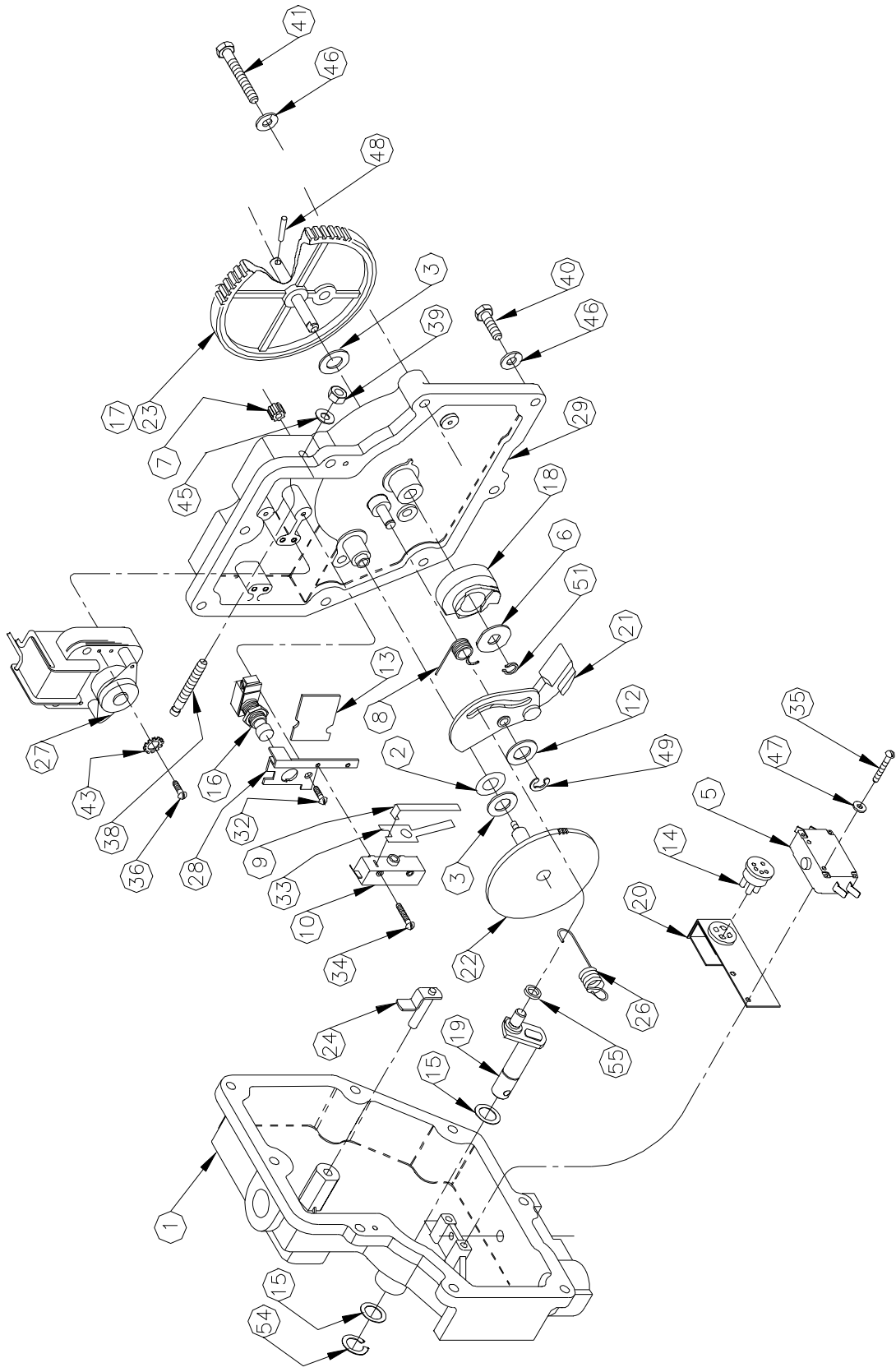


## ELECTRIC KEYTROL ASSEMBLY, SPLIT - TWIN PUMP AND DISPENSER

Item	Part No.	Description	Item	Part No.	Description
1	-----	Electrical Keytrol (see <i>Electrical Keytrol Parts List,</i> <i>035242)</i>	36	022486	Cover, Top 9100ATW EK Master, Painted (See Note)
2	025045	Elbow, Conduit, 1/2" x 90° M/F		022485	Cover, Top, SS, 9100ATW EK Master
3		Reset Assy. (See table in <i>breakdown Electric Reset)</i>		022619	Cover, Top 9100ATW Mast/Aux, Painted (See Note)
4	038050	Pipe TBE, 1/2 x 1-1/8 Zinc Plt		022618	Cover, Top 9100ATW Mast/Aux, SS
5	021301	Conduit, 1/2 x 8-3/4			
6	069726	Conduit, 9100ATW EK	37	051895	Screw, 5/16-18 x 3/4 HHC
7	066400	1/2 UNY Explosion-proof cond union	38	068875	Lockwasher, 5/16 PL
8	021347	Conduit, 1/2 x 6-3/4	39	056895	Spacer, Top
9	051790	Screw, 1/4-20 x 1/2 HHC	41	027146	Gasket, 1/8 x 1/4 x 3 Ft Lg
10	039209	Locknut, 1/2 NPT Machined	42	C01027	Term, Wire Spade #8 (16-14)- BLU
11	068443	Conduit Washer	43	C01028	Term, Wire Spade #6 (22-16)- RED
12	021737	Conduit, 1/2 x 3 NPS Threads	44	049001	Square Cut Ring, #7-214
13	025030	Elbow, Conduit 1/2 x 90 F/F MCH			
14	064830	Conduit Tee			
15	021337	Conduit, 1/2 x 2			
16	051806	Screw, 1/4-28 x 5/8 HHC			
17	068891	Lockwasher, Ext 1/4 1114			
18	027041	Gear, Quantity			
19	031035	Hub, Quan. Shaft Extension			
20	043225	Pin, Spirol 5/64 x 7/16 STD PL			
21	027044	Plate & Idler Gear Assy.			
22	046970	Plate, Mounting			
23	049406	Ring Ret 5133-25-ZF			
24	053920	Screw, 1/4-20 x 5/8 Wash HD Type-T			
26	023596	Decal, 10:1 Pulser			
27	021079	Non-Computer, Gallon			
	021071	Non-Computer, Liter			
28	046973	Pulser, 10:1 & Coupling Assy.			
29	051805	Screw, 1/4-20 x 5/8 HHC			
31	056877	Spacer			
32	025015	Elbow, Conduit 1/2 x 45o M/F			
33	021345	Pipe TBE, 1/2 x 1-1/2 Zinc Plt			

**NOTE:** Specify standard color (black, white, red). If not a standard color, specify serial number of pump/dispenser.

### ELECTRIC RESET BREAKDOWN



**ELECTRIC RESET BREAKDOWN**

Item	Part No.	Description	Item	Part No.	Description
1	048555	Reset Box and Pin Assembly	33	013061	Dampener Spring (Leaf type, replaces coil type)
2	013009	Spring Washer	34	013106	Mach Screw, #6-32 x 3/4 Lg. Rd. Hd.
3	013007	Thrust Washer	35	C01946	PN HD Screw, 6-32 x 7/8
5	064466	Switch D P S T	36	C08142	Mach Screw, #4-40 x 1 Lg. Rd. Hd.
6	013013	Drive	38	013052	Adjusting Screw
7	013025	Pinion	39	C04018	Hex Nut #10-24
8	013031	Operator Spring	40	051808	Hex Hd Cap Screw, 1/4-20 x 7/8 Lg.
9	013014	Leaf Actuator	41	052345	Hex Hd Cap Screw, 1/4-20 x 1-3/4 Lg.
10	013016	Reset Switch	43	013105	Shake washer, #4 Ext Tooth
12	013018	Shim Washer	45	C02404	Lockwasher, #1110
13	013019	Insulator	46	068891	Lockwasher, #1114
14	013032	Plug	47	068843	Lockwasher, #1206
15	067109	Brass Washer	48	042656	Groov-Pin, 1/8 x 7/8 Lg
16	013053	Light Switch	49	049406	Truarc "E" Retaining Ring
17	023628	Warnings Decal (Not Shown)	51	049330	Truarc Retaining Ring
18	013037	Cam	54	048612	Truarc Retaining Ring
19	029359	Handle Operator Assembly	55	042912	Pin, Collar
20	064875	Terminal Bracket Assembly			Pipe Plug, 1/2" (Not Shown, unlighted units only)
21	013049	Interponent Assembly			
22	013044	Idler Shaft Assembly			
23	013045	Computer Drive Assembly			
24	010008	Actuator Assembly			
26	057806	Handle Spring			
27	S00435	Reset Motor (60 HZ., 120V) Assy. Replacement Kit			
	S00675	Reset Motor (50/60 HZ., 230 Volt) Assy. Replacement Kit			
28	013068	Switch Bracket			
29	S00663	Cover & Bearing Assembly			
32	013051	Shoulder Screw			

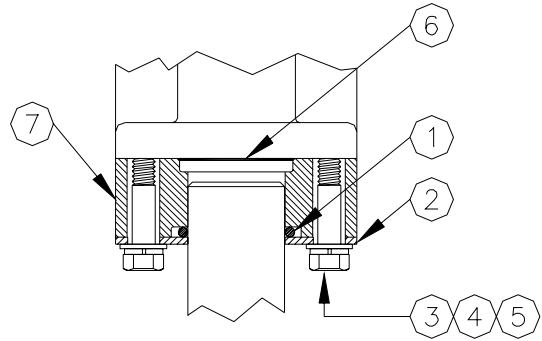
The following chart shows part numbers for the various reset assemblies used on all 9100A single and twin units. Select the one appropriate for use with your unit.

PART NUMBER	VOLTAGE/ FREQUENCY	OPTIONS	COVER ASSY ONLY
048568	115VAC/60Hz	Unlit Housing	022289
048677	230VAC/60Hz	Unlit Housing	048668
048658	230VAC/50Hz	Unlit Housing	022364
048656	115VAC/60Hz	Lighted Housing *	022290
048676	230VAC/60Hz	Lighted Housing *	048669
048657	230VAC/50Hz	Lighted Housing *	022402
048810	115VAC/60Hz	Suction Pump w/Electric Keytrol	022289
048811	230VAC/60Hz	Suction Pump w/Electric Keytrol	048668
048812	230VAC/50Hz	Suction Pump w/Electric Keytrol	022364
048813	115VAC/60Hz	Remote Dispenser w/Electric Keytrol	022289
048814	230VAC/60Hz	Remote Dispenser w/Electric Keytrol	048668
048815	230VAC/50Hz	Remote Dispenser w/Electric Keytrol	022364

\*NOTE: Lighted twin units utilize an unlit reset assembly on the left side.

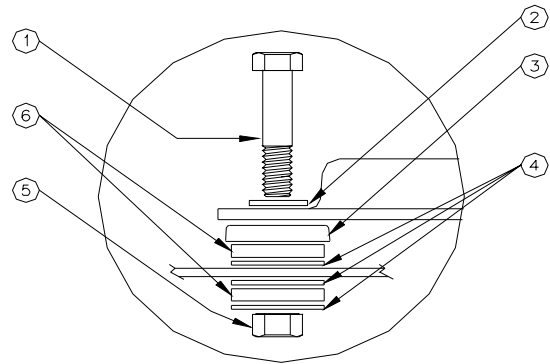
## FLANGE ASSEMBLY

Item	Part No.	Description
1	049014	O-Ring
	M49014	O-Ring, Methano/Ethanol
2	026079	Flange
3	051950	5/16-18 x 1-3/4 HHC Screw
4	068005	1/4 Washer
5	068875	Lockwasher, 5/16
6	027797	Gasket
7	021950	Coupling



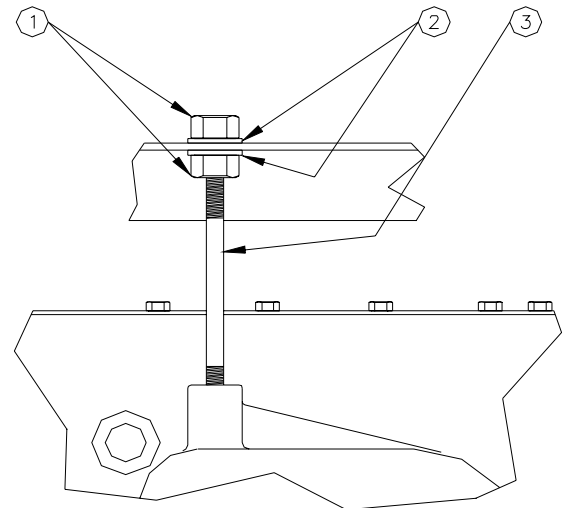
## MOTOR MOUNT

Item	Part No.	Description
1	051940	5/16-18 x 1-1/2 HHC Screw
2	068080	5/16 Washer
3	067735	Cup Washer
4	068620	Washer
5	038920	5/16-18 ESNA Nut
6	037885	Rubber Mount



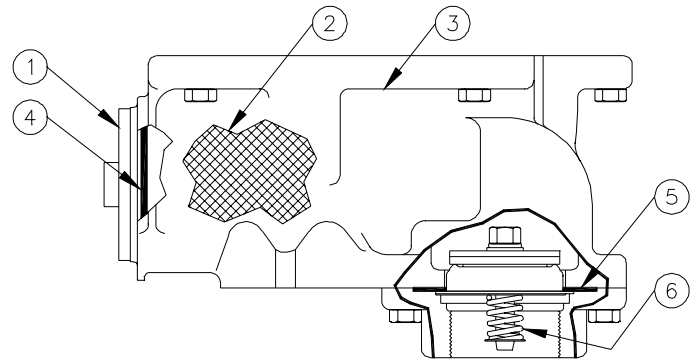
## SUPPORT ASSEMBLY

Item	Part No.	Description
1	038680	1/2-13 Jam Nut
2	068065	1/2 Washer
3	015560	Stud

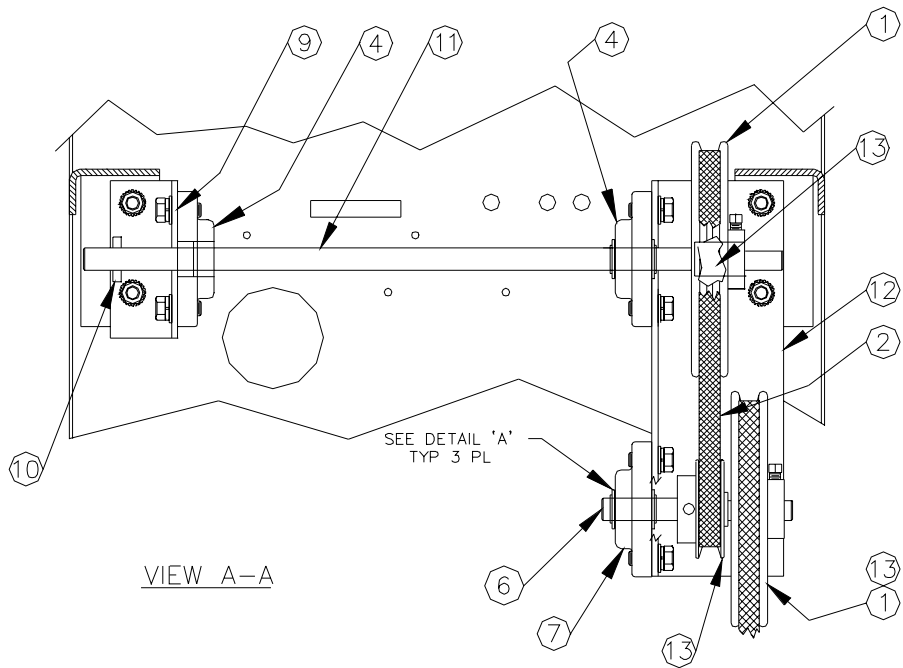
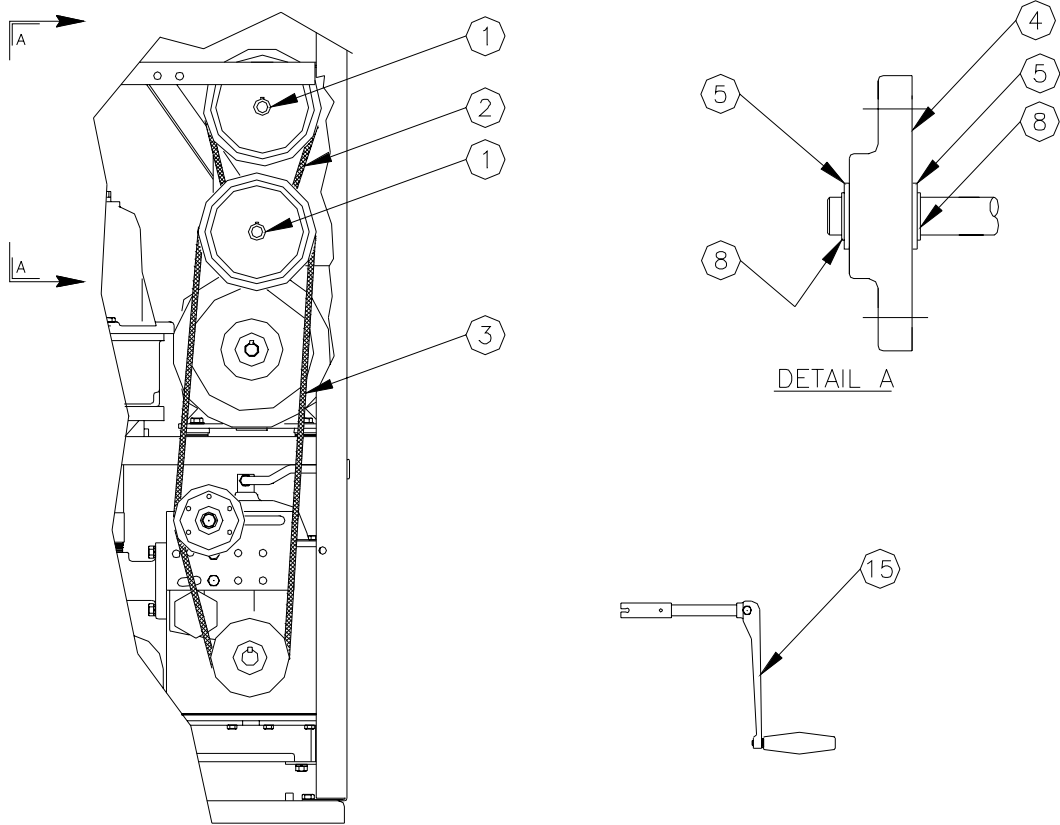


## STRAINER BODY ASSEMBLY

Item	Part No.	Description
1	063261	Strainer Cap
2	063312	Gasoline Strainer (100 mesh)
	063313	Diesel Strainer (40 mesh)
3	S00524	Strainer Body
4	026768	O-Ring
5	027005	Gasket
6	035319	Check Valve Assy.
	035525	Kit, includes items 1, 2, 3, 4 Specify strainer type



### 9152A, 9153A HAND CRANK BREAKDOWN

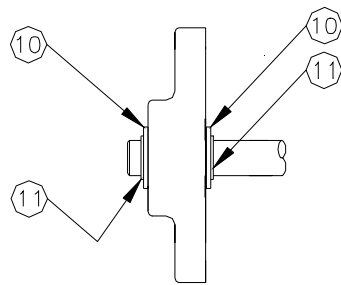
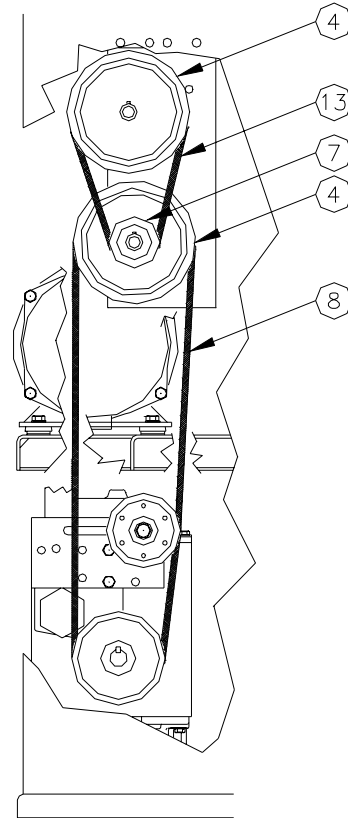
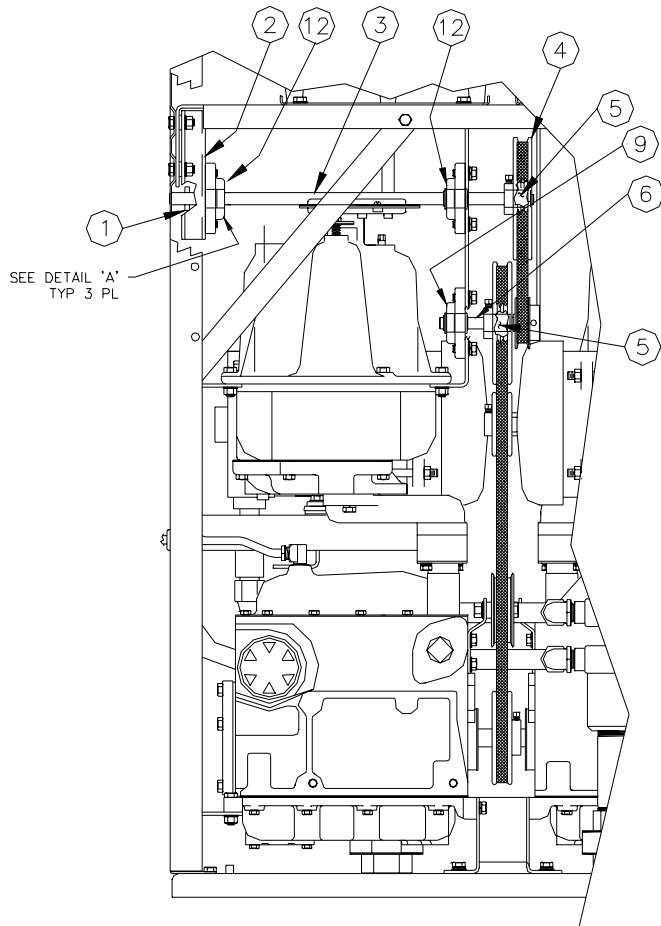




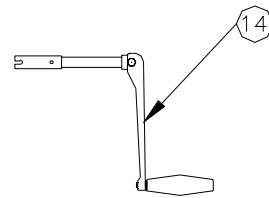
**9152A, 9153A HAND CRANK BREAKDOWN**

Item	Part No.	Description
1	047015	Pulley, 5-1/4 x .75 bore
2	012166	Belt, 23" 4L230
3	012168	Belt, 52" 4L520
4	032004	Housing/Bearing Assembly
5	068040	Washer, .5051D x .880DC, .058 Thick
6	055005	Shaft, Drive w/HC
7	030025	Housing/Bearing Assembly (Dbl)
8	049403	Retaining Ring (Units built after S/N 479694)
	048612	Retaining Ring, Truarc, 5100-50
9	014834	Bracket, Support
10	043030	Pin, Roll 3/16 x 1
11	055004	Shaft, Drive, w/HC
12	014835	Bracket, Pulley, w/HC
13	017130	Bushing, Hand Crank
14	048709	Pulley, 2" x .5 bore
15	023139	Hand Crank Assy.

### 9100ATW HAND CRANK BREAKDOWN



DETAIL A

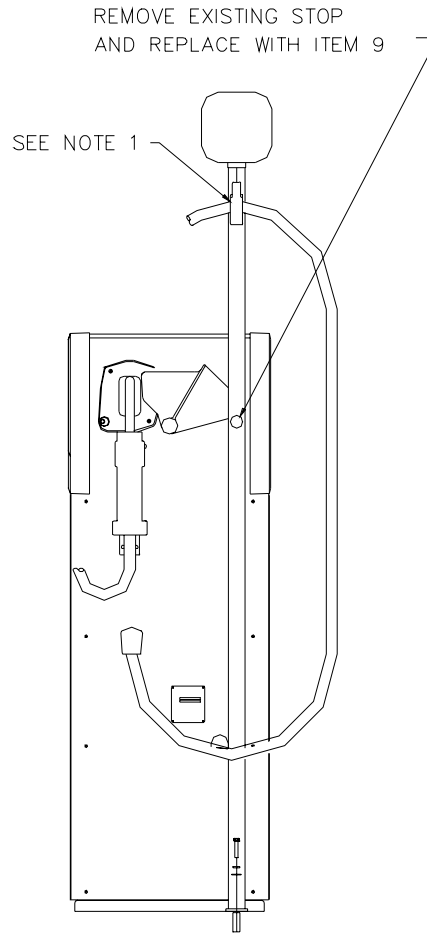
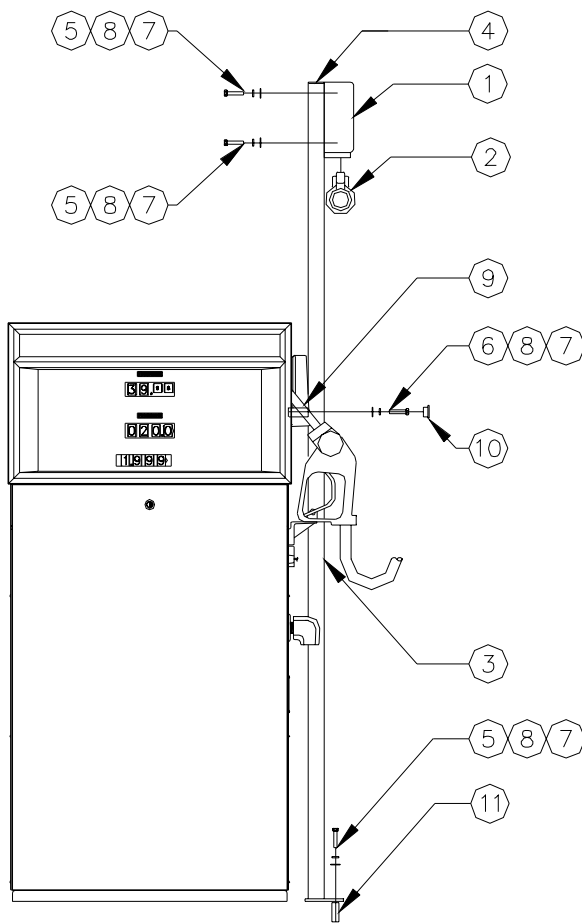


---

**9100ATW HAND CRANK BREAKDOWN**

Item	Part No.	Description
1	043030	Pin, Roll 3/16 x 1
2	014814	Bracket, Hand Crank
3	055004	Shaft, Drive, w/HC
4	047015	Pulley, 5-1/4 x .75 bore
5	017130	Bushing, Hand Crank
6	055005	Shaft, Drive w/HC
7	048709	Pulley, 2" x .5 bore
8	012167	Belt, 49" 4L490
9	030025	Housing/Bearing Assembly (Dbl)
10	068040	Washer, .5051D x .880DC, .058 Thick
11	049403	Retaining Ring (Units built after S/N 479694)
	048612	Retaining Ring, Truarc, 5100-50
12	030024	Housing/Bearing Assembly
13	012166	Belt, 23" 4L230
14	023139	Hand Crank Assy.

## HIGH HOSE RETRIEVER



Complete High Hose Retriever installation requires a support post kit and a hose clamp/spring reel kit.

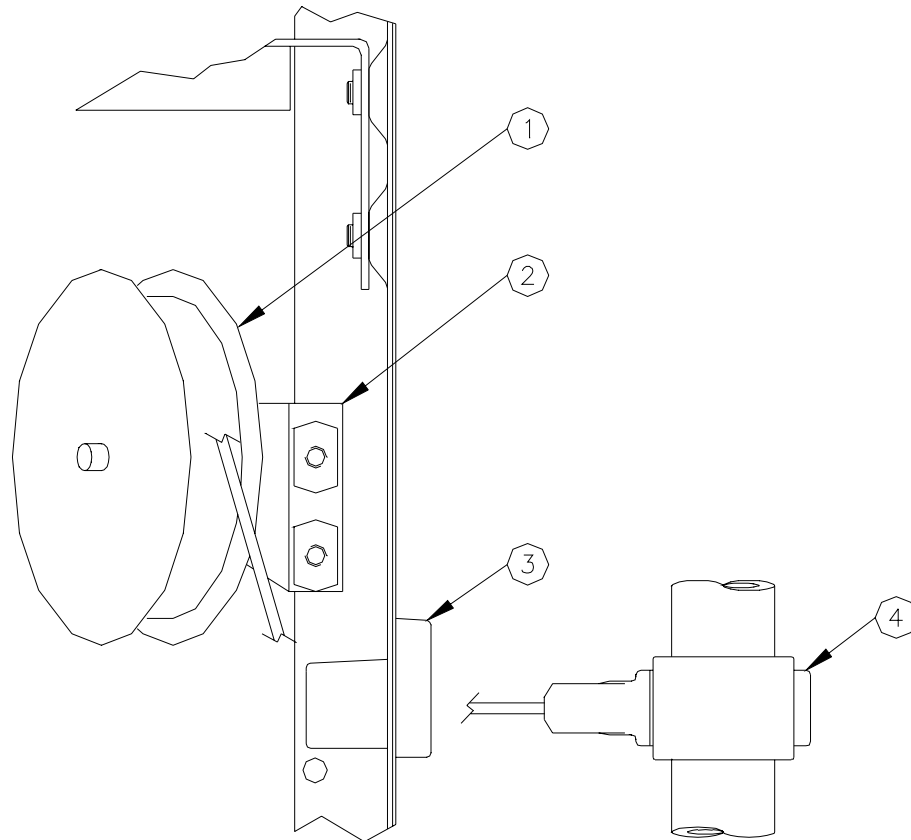
032675 Support Post Kit (Contains post and hardware: Items 3-11 below)

Item	Part No.	Description
1	030804	Reel Assy, 5/8" & 3/4" Hardwall/Softwall
	030805	Reel Assy, 1" Softwall, 1" Hardwall; 1-1/4" Softwall; GY Prem Coax, Vapor Recovery
2	020714	Clamp, 5/8" Hardwall/Softwall
	020712	Clamp, 1" Softwall
	020718	Clamp, 1" Hardwall (1-7/16 OD)
	020719	Clamp, 1" Hardwall (1-3/8 OD)
	026732	Clamp, GY Prem Coax, Vapor Recovery

### Hose Clamp/Spring Reel Kits

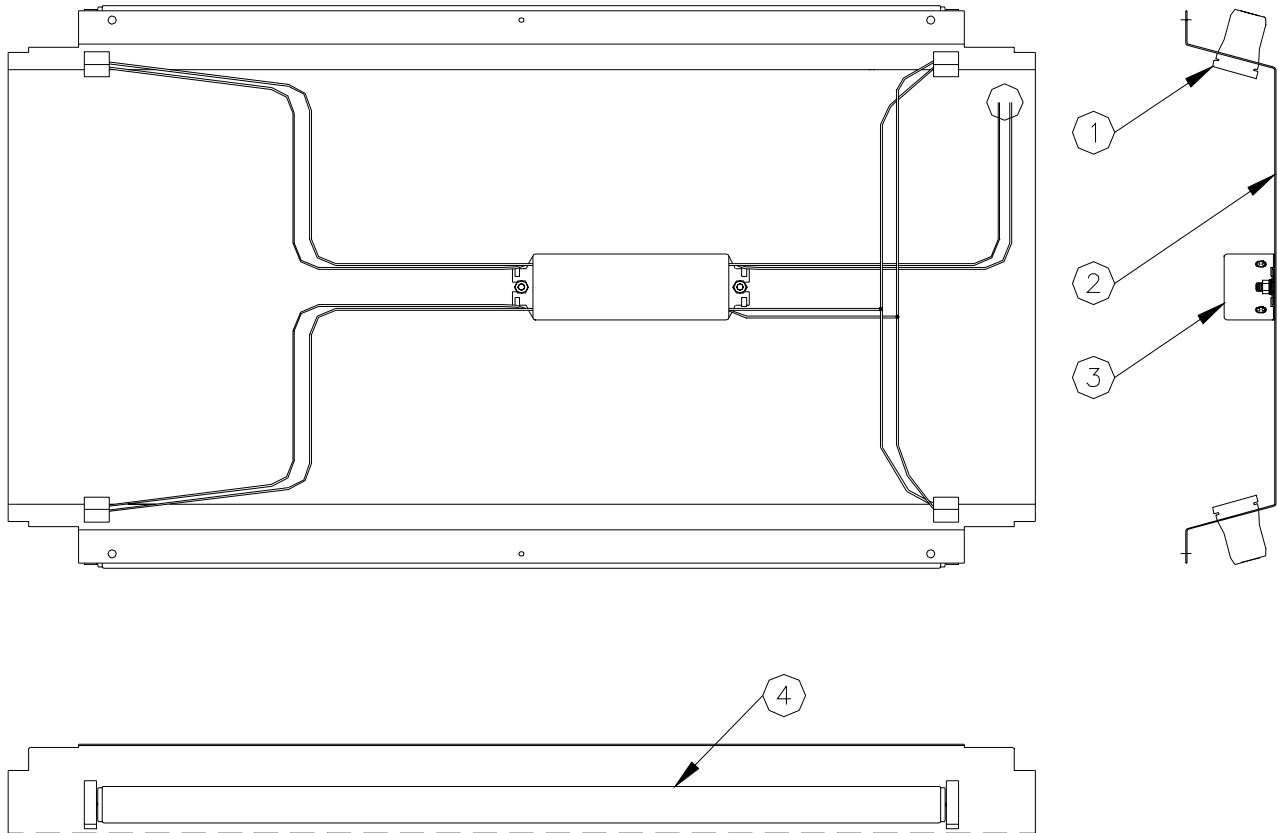
032666	Kit, 5/8" Hardwall/Softwall (1" OD)
032659	Kit, 3/4" Hardwall/Softwall (1-1/32" OD)
032663	Kit, 3/4" Dayco Hardwall (1-1/8" OD)
032667	Kit, 1" Softwall (1-1/2" OD)
032668	Kit, 1" Dayco Hardwall (1-7/16 OD)
032669	Kit, 1" Hardwall (1-3/8 OD)
032671	Kit, HHR, Goodyear Prem, Vapor Recovery, Coaxial

Item	Part No.	Description
3	063818	Support Bar Assy.
4	017930	Caplug
5	051956	Bolt, 5/16-18 x 2, SS
6	051957	Bolt, 5/16-18 x 2-1/2, SS
7	068079	Washer, 5/16, SS
8	068874	Lockwasher, 5/16, SS
9	063208	Spacer
10	047219	Plug Button, 7/8
11	013250	Anchor

**INTERNAL RETRIEVER BREAKDOWN**

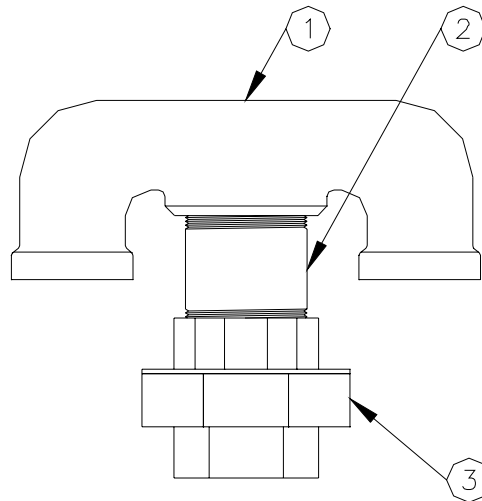
Item	Part No.	Description
1	048369	Reel and Cable
2	015456	Bracket, Internal Hose Retriever
3	040035	Cable Guide, Internal Retriever
4	020712	Hose Clamp, 1" Softwall
	020719	Hose Clamp, 1" Hardwall
	020714	Hose Clamp, 5/8 and 3/4

### 9100A, 9100ATW LAMP ASSEMBLY



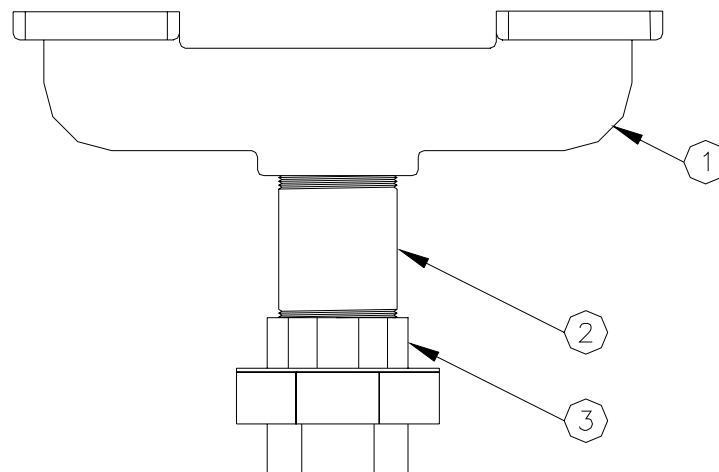
Item	Part No.	Description
1	033349	Lampholder, screw in (prior to February 1997)
	033350	Lampholder, snap in (after February 1997)
2	015160	Mounting Bracket, Lamp and Ballast, 9100A
	015161	Mounting Bracket, Lamp and Ballast, 9100ATW
3	011152	Ballast, 230V/50 Hz.
	011153	Ballast, 115V/50 Hz.
	011154	Ballast, 230V/60 Hz.
	011155	Ballast, 115V/60 Hz.
4	033436	Lamp, Fluorescent, F20T12/CW

**9140A MANIFOLD ASSEMBLY**



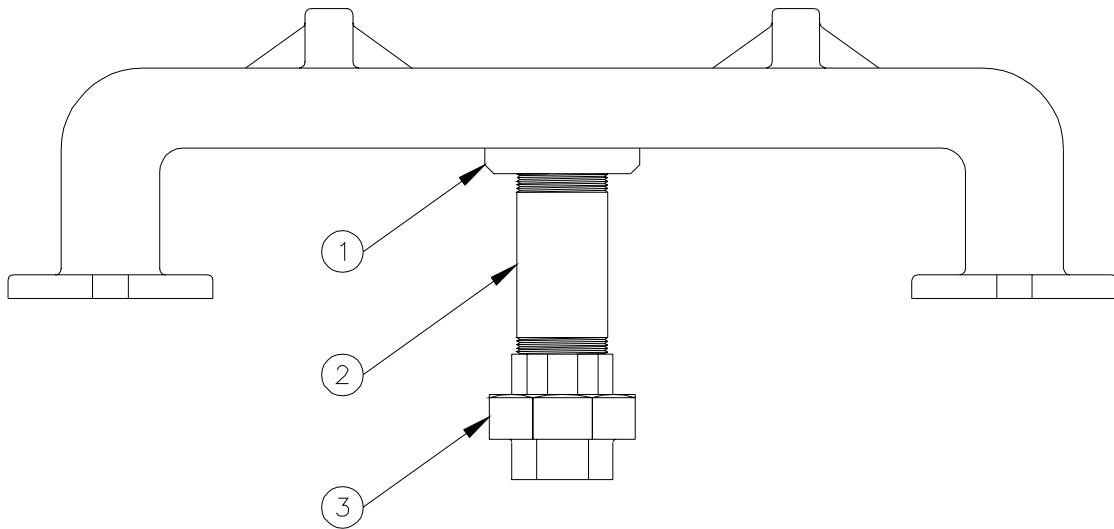
Item	Part No.	Description
1	048159	Pump Inlet
2	044946	Pipe Tube 2 x 3
3	066386	Union, 2" Std Blk

**9140AX MANIFOLD ASSEMBLY**



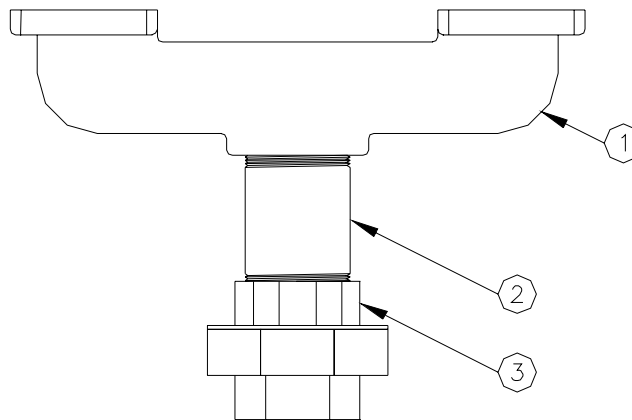
Item	Part No.	Description
1	035322	Manifold
2	044946	Pipe Tube 2 x 3
3	066386	Union, 2" Std Blk

### 9153ATW1M MANIFOLD ASSEMBLY



Item	Part No.	Description
1	003106	Manifold, Pump Inlet ( <i>Units built prior to 8/97</i> )
	003108	Manifold, Pump Inlet ( <i>Units built after 8/97</i> )
2	044912	Pipe TBE, 1-1/2 x 4-1/2
3	066385	Union, 1-1/2 #150 Stockham

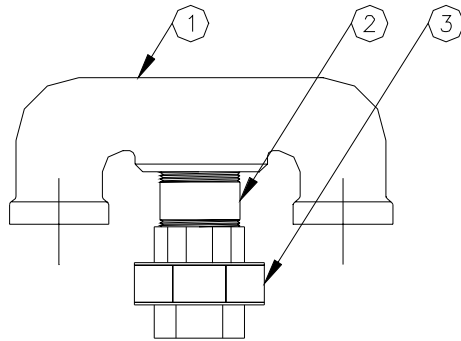
### 9100AXTW MANIFOLD ASSEMBLY



Item	Part No.	Description
1	035318	Manifold
2	044938	Pipe TBE, 1-1/2 x 6
3	066385	Union, 1-1/2 #150 Stockham

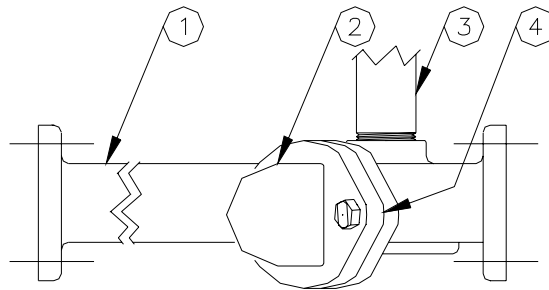


### 9153AHC MANIFOLD



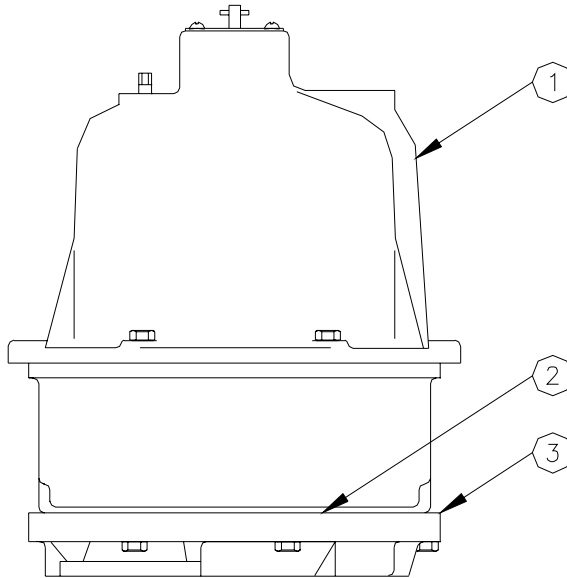
Item	Part No.	Description
1	048391	Pump Inlet
2	044907	Pipe Tube, 1-1/2 x 2-1/4
3	066385	Union, 1-1/2 #150 Stockham

### 9153AHC MANIFOLD PUMP DISCHARGE



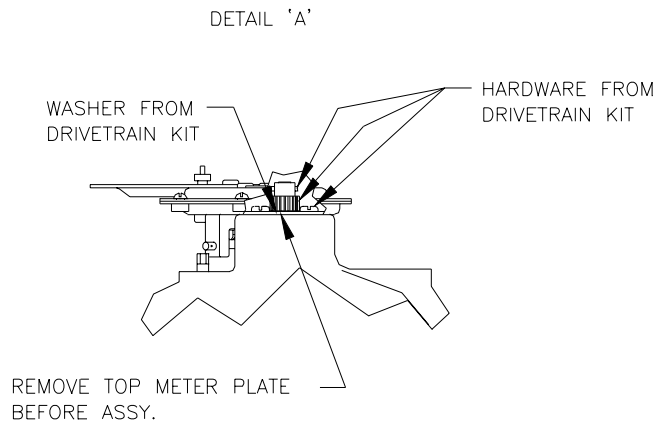
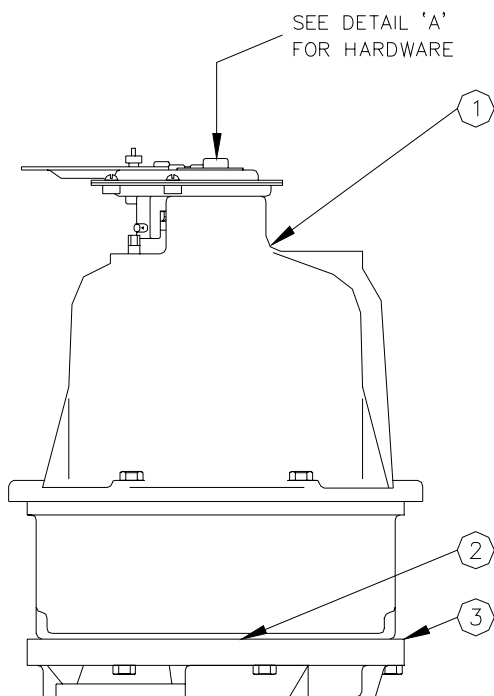
Item	Part No.	Description
1	048396	Pump Discharge
2	058019	Cover
3	015695	Coupling Nipple
4	027002	Gasket

## 9140A, 9152A, 9153A, 9153AHC, 9152ATW1 METER ASSEMBLY



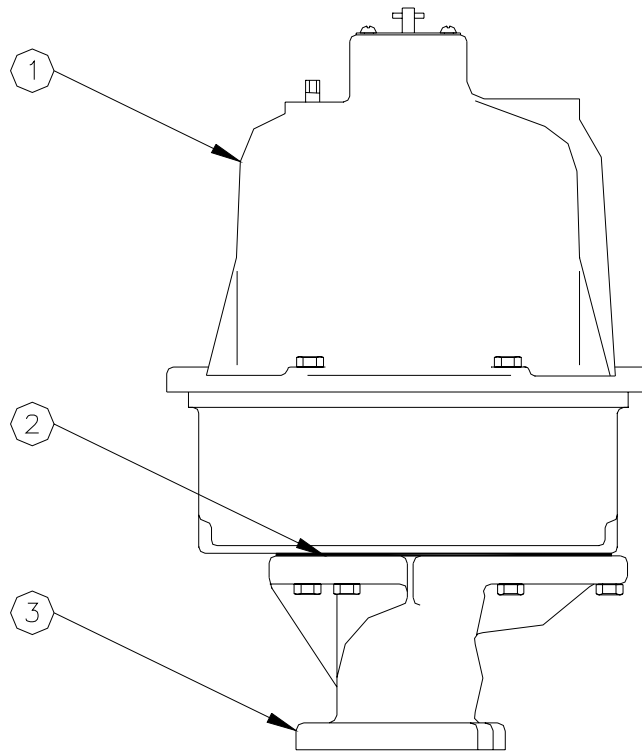
Item	Part No.	Description
1	035517	Meter, 4:1 Gallons
	035700	Meter, 2:1 Liter
	035587	Meter, 4:1 Imperial Gallons
2	027038	Gasket
3	035514	Meter Transfer Body

**9152ATW2, 9153ATW2, 9153ATW1M METER ASSEMBLY**



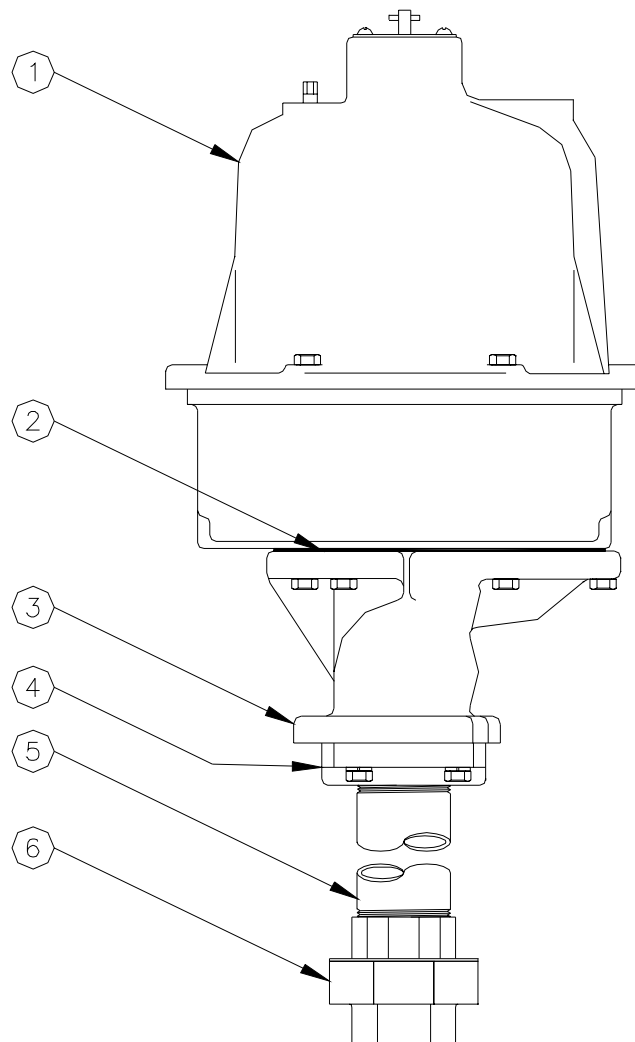
Item	Part No.	Description
1	035565	Meter Assy., Gallons
	*035517	Meter
	*S00713	Gear Train
	035586	Meter Assy., Liters
	*035576	Meter
	*S00713	Gear Train
	035587	Meter, Imperial Gallons
	S00713	Gear Train, Imperial Gallons
2	027038	Gasket
3	035514	Meter Transfer Body

### 9140AX, 9100AXTW1 METER ASSEMBLY



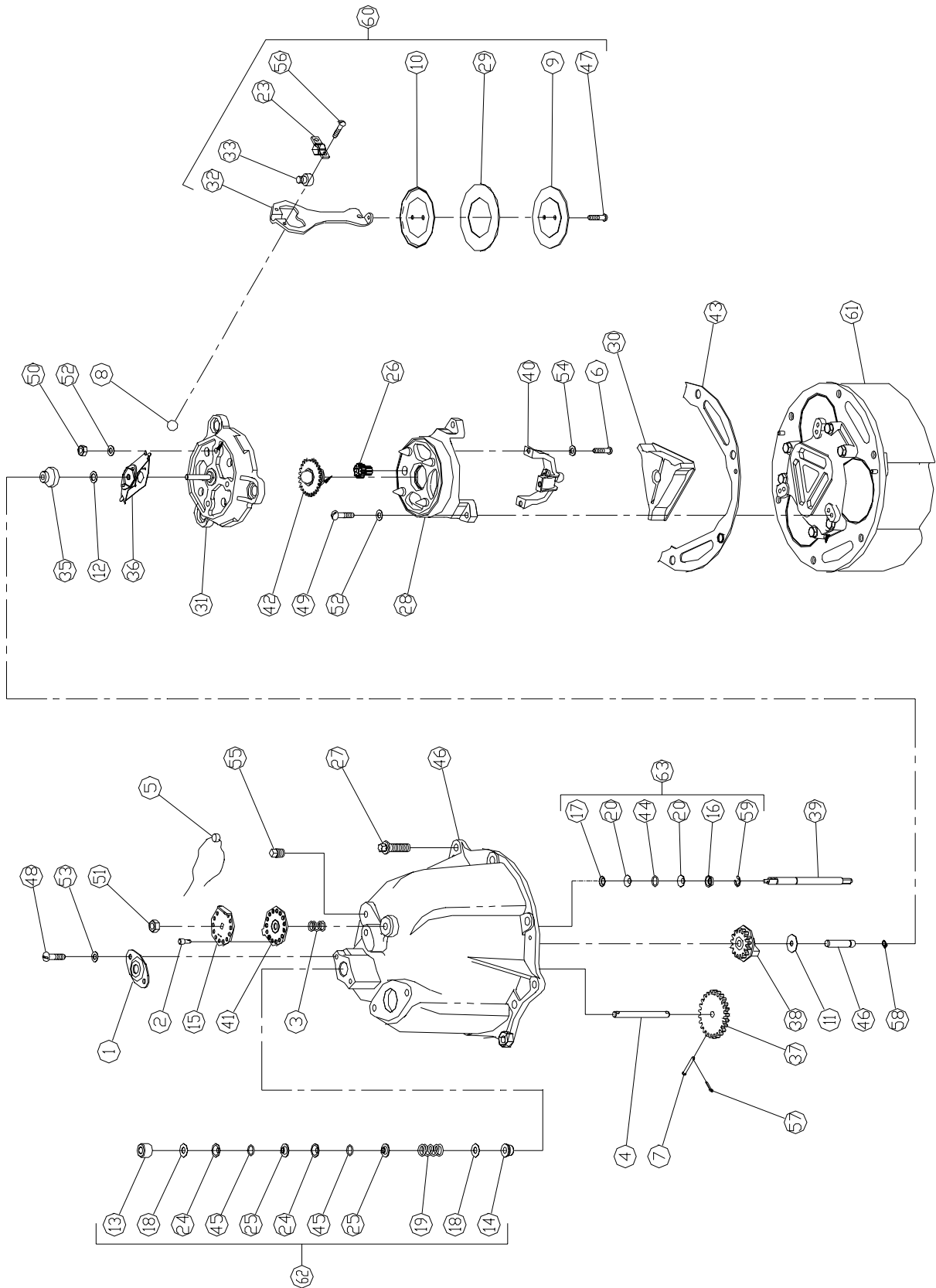
Item	Part No.	Description
1	035517	Meter, 4:1 Gallons
	035700	Meter, 2:1 Liter
	035587	Meter, 4:1 Imperial Gallons
2	027038	Gasket
3	035525	Strainer Body Assy. (See breakdown)

## 9100AXTW2 METER ASSEMBLY



Item	Part No.	Description
1	035517	Meter, 4:1 Gallons
	035700	Meter, 2:1 Liter
	035587	Meter, 4:1 Imperial Gallons
2	027038	Gasket
3	035525	Strainer Body Assy. (See breakdown)
4	048138	Valve Housing
5	044394	Pipe TBE, 1-1/2 x 8
6	066385	Union, 1-1/2 #150 Stockham

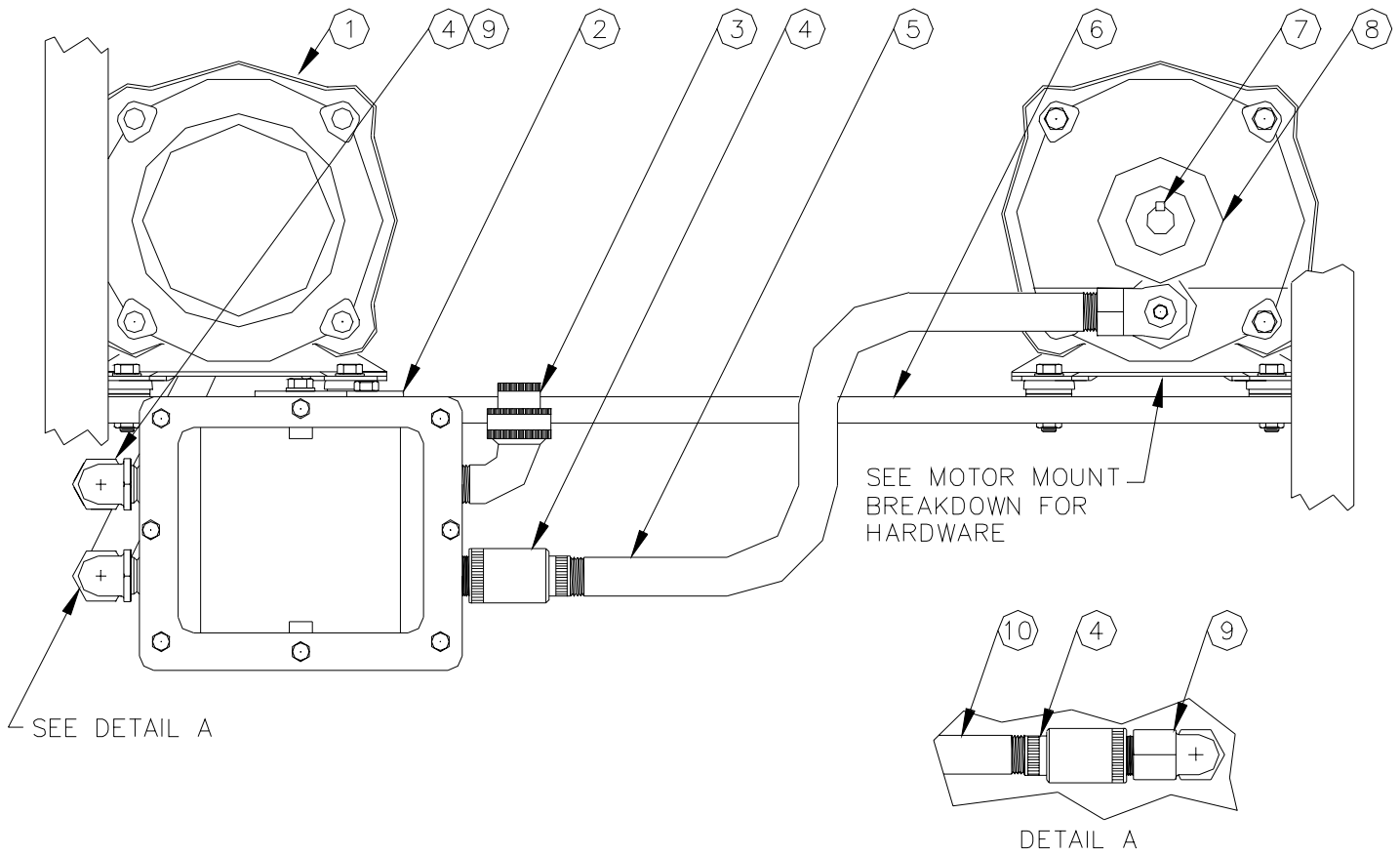
### 9100A METER ASSEMBLY BREAKDOWN



## 9100A METER ASSEMBLY BREAKDOWN

Item	Part No.	Description	Item	Part No.	Description
1	S00466	Packing Gland Plate	38	S00499	Counter Drive Gear Complete - Gal
2	S00467	Seal Pin		S00114	Counter Drive Gear Complete - Ltr
3	S00469	Compensator Screw Spring	39	S00497	Compensator Shaft
4	S00473	Drive Shaft	40	S00500	Bracket & Pin Assembly
5	069080	Seal & Seal Wire	41	S00468	Index Plate
6	S00475	Special Screw	42	S00479	Pivot & Ball Assembly
7	S00476	Drive Shaft Pin	43	S00470	Meter Body Gasket
8	S00477	1/2" Ball	44	S00471	O-Ring (.362 Dia.)
9	S00480	Plunger Cup Support	45	S00472	O-Ring (.487 Dia)
10	S00481	Plunger Disc	46	S00486	Meter Cover w/ Center Gear Post, Index Plate, Pipe Plug & RetainingRing
11	S00482	Washer	47	S00509	Mach. Screw, 10-32 x 3/8 Lg. Rd. Hd.
12	S00483	Washer	48	S00507	Mach. Screw, #12-24 x 1/2 Lg. Rd. Hd.
13	S00484	Upper Bearing Assembly	49	S00508	Mach. Screw, 1/4-20 x 3/4 Lg. Rd. Hd.
14	S00485	Bearing Assembly	50	S00511	Hex Nut, 1/4-20
15	S00487	Compensator Index Disc	51	S00510	Hex Nut, 5/16-18
16	S00488	Seal Half	52	S00520	Lockwasher, 1/4
17	S00489	Seal Wedge	53	S00513	Lockwasher, #1212
18	S00490	Washer	54	S00514	Lockwasher, #1114
19	S00492	Packing Spring	55	S00515	Pipe Plug, 1/8 Sq. Hd.
20	S00493	Seal	56	S00516	Sems Fastener, #10-32 x 3/8 Lg. Rd. Hd.
23	S00494	Bearing Retainer	57	S00517	Cotter Pin, 1/16 x 1/4 Lg.
24	S00495	Seal (black)	58	S00518	Truarc Retaining Ring
25	S00491	Seal Retaining Ring	59	S00519	Truarc "E" Retaining Ring
26	S00478	Compensator Pinion	60	S00521	Plunger Assy. w/ Bearing Retainer, Bearing Seat & Sems Fastener
27	S00512	Screw	61	S00522	Body & Seat Assembly w/ Pins
28	S00498	Main Pivot Bracket Assembly w/Pins	62	S00523	Meter Drive Shaft Kit
29	S00032	Plunger Cup Kit (Set of 3 Cups)	63	S00130	Shaft-Seal Kit
30	S00501	Valve			
31	S00502	Wobble Plate w/ Slack Roller Post			
32	S00503	Connector			
33	S00504	Bearing Seat			
35	S00505	Slack Roller Assembly			
36	S00506	Slack Spring Assembly			
37	S00496	Drive Shaft Gear - Gal			
	S00115	Drive Shaft Gear - Ltr			

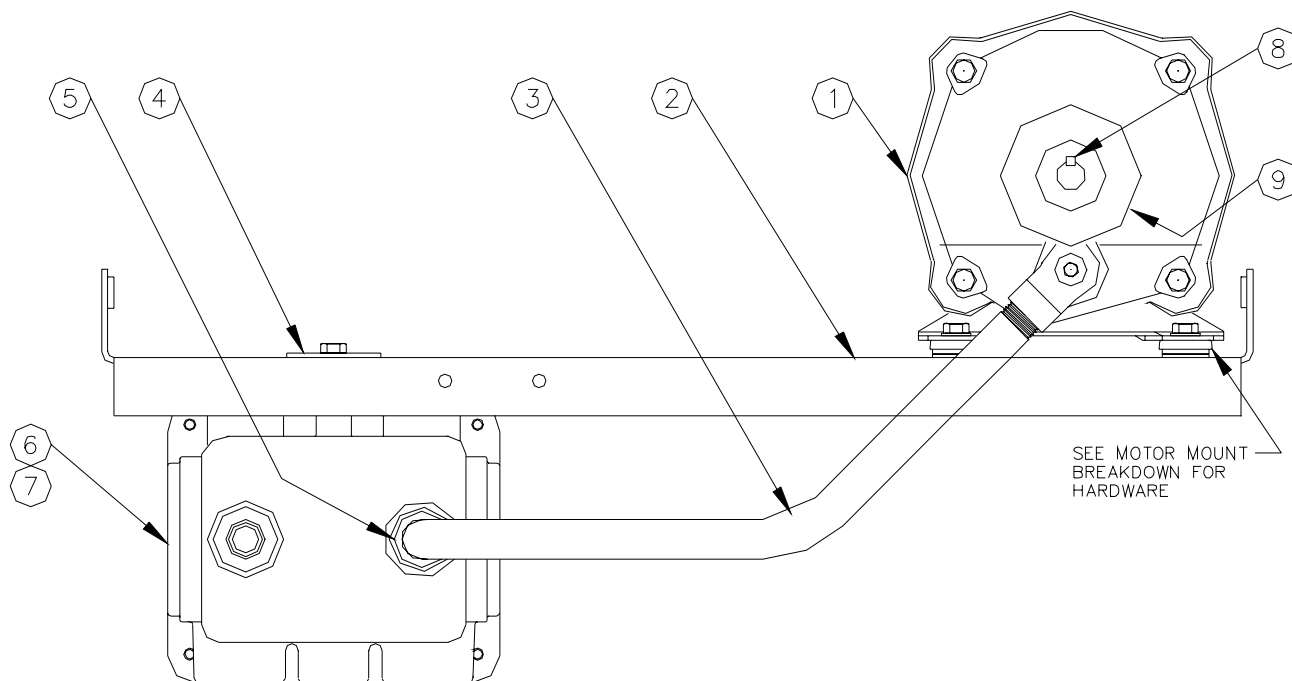
**9140A MOTOR**



Item	Part No.	Description
1	F37696	Motor, Franklin, 3/4 HP, 60 Hz., 56 FR CW
	F37429	Motor, Franklin, 3/4 HP, 50 Hz., 56 FR CW
2	015761	Bracket, AC JBox, Kraus
3	025190	Union, 90o
4	066400	1/2" UNY Explosion-Proof Conduit
5	069709	Conduit, Motor, Right side
6	015095	Motor Support Brkt Weld Assy.
7	031315	Key
8	047006	Pulley, 5/8 Bore, 2-3/4 Maurey, 60 Hz. units
	047023	Pulley, 5/8 Bore, 3-1/4 dia. 50 Hz units built after serial number 486698.
9	025045	Elbow, Conduit, 1/2 x 90o M/F
10	069710	Conduit, Motor, Left

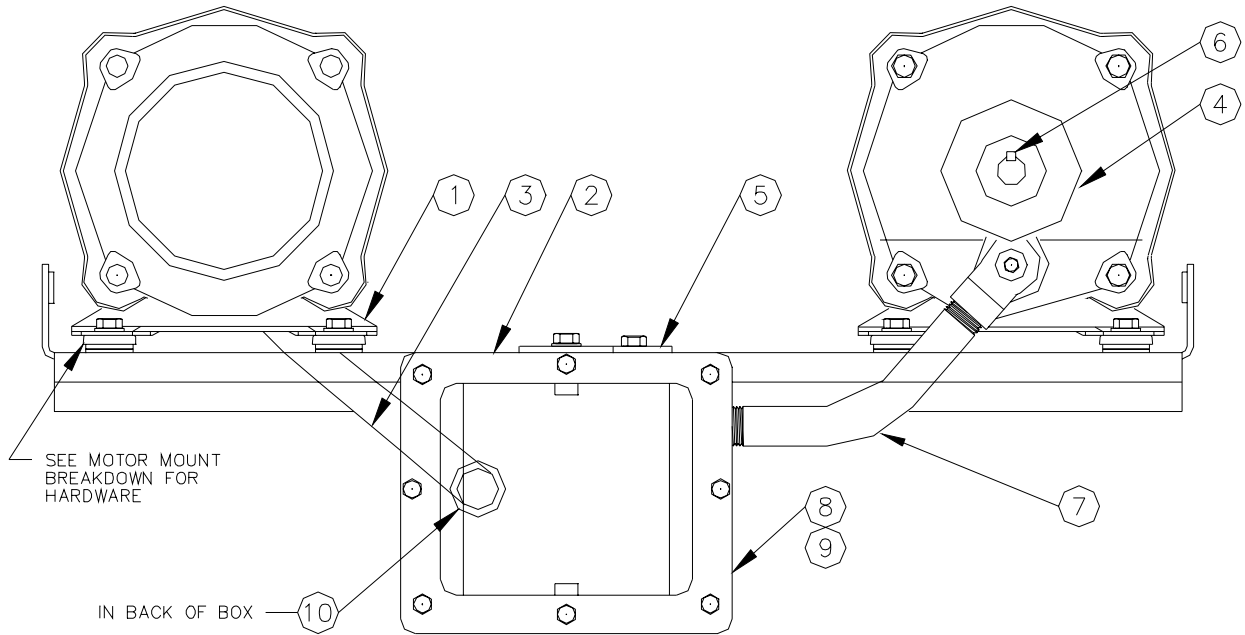


## 9152A, 9153A MOTOR



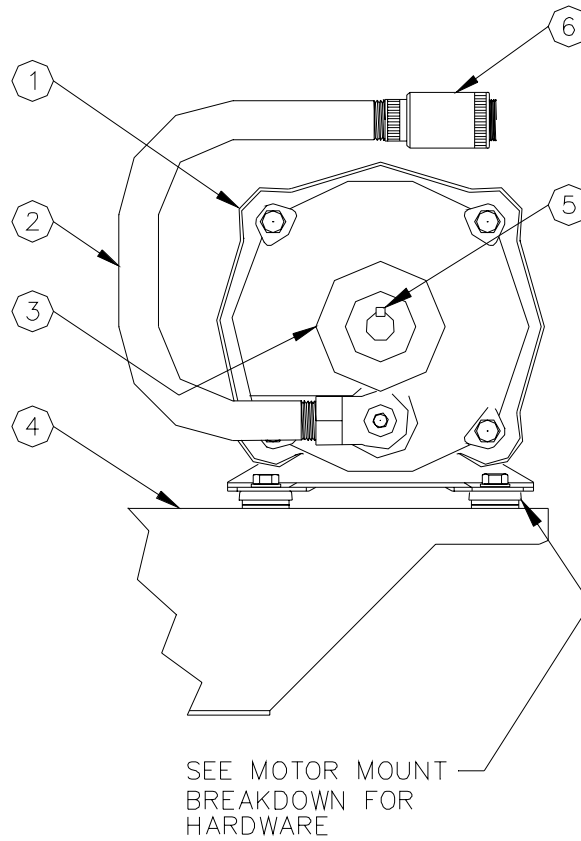
Item	Part No.	Description
1	F37696	Motor, 3/4 HP, 60Hz, 56FR, CW, 9153A
	F37429	Motor, 3/4 HP, 50Hz, 56FR, CW, 9153A
	F37711	Motor, 1/2 HP, 60Hz, 56FR, CW, 9152A
	F37334	Motor, 1/2 HP, 50Hz, 56FR, CW, 9152A
2	015094	Meter/Motor Bracket Weld Assy.
3	069723	Conduit, Motor
4	015697	Bracket, AC Box Support
5	066400	1/2 UNY Explosion-proof Conduit Union
6	003116	AC Junction Box
7	003117	AC Junction Box Cover
8	031315	Key
9	047014	Pulley, 5/8" bore, 3", 60 Hz., 9153A
	047006	Pulley, 5/8" bore, 2-3/4, 50 Hz., 9153A
	047005	Pulley, 5/8" bore, 2.4", 60 Hz./50Hz., 9152A

**9153AHC MOTOR**



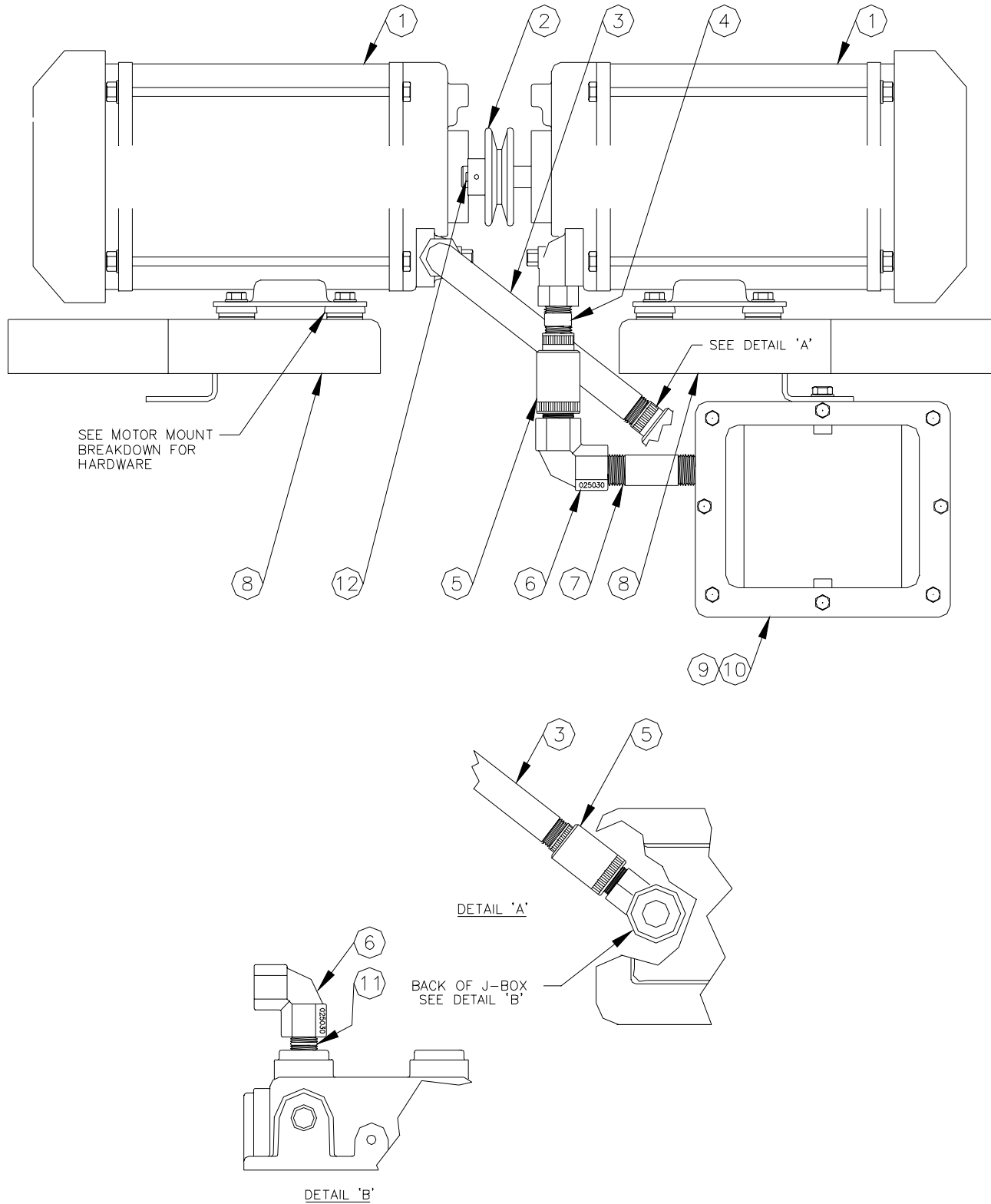
Item	Part No.	Description
1	F37696	Motor, 3/4 HP, 60Hz, 56FR, CW, 9153A
	F37429	Motor, 3/4 HP, 50Hz, 56FR, CW, 9153A
2	015094	Meter/Motor Bracket Weld Assy.
3	069718	Conduit, Motor
4	047014	Pulley, 5/8" bore, 3"
5	015786	Bracket, AC J-Box
6	031315	Key
7	069719	Conduit, Motor, Short
8	003116	AC Junction Box
9	003117	AC Junction Box Cover
10	066400	1/2 UNY Explosion-proof Conduit Union

**9152ATW1 MOTOR**



Item	Part No.	Description
1	F37696	Motor, 3/4 HP, 60Hz, 56FR, CW
	F37429	Motor, 3/4 HP, 50Hz, 56FR, CW
2	069727	Conduit, Motor
3	047005	Pulley, 5/8" bore, 2.4", 60 Hz.
	047006	Pulley, 5/8" bore, 2-3/4, 50 Hz.
4	015076	Bracket, Motor Support
5	031315	Key
6	066400	1/2 UNY Explosion-proof Conduit Union

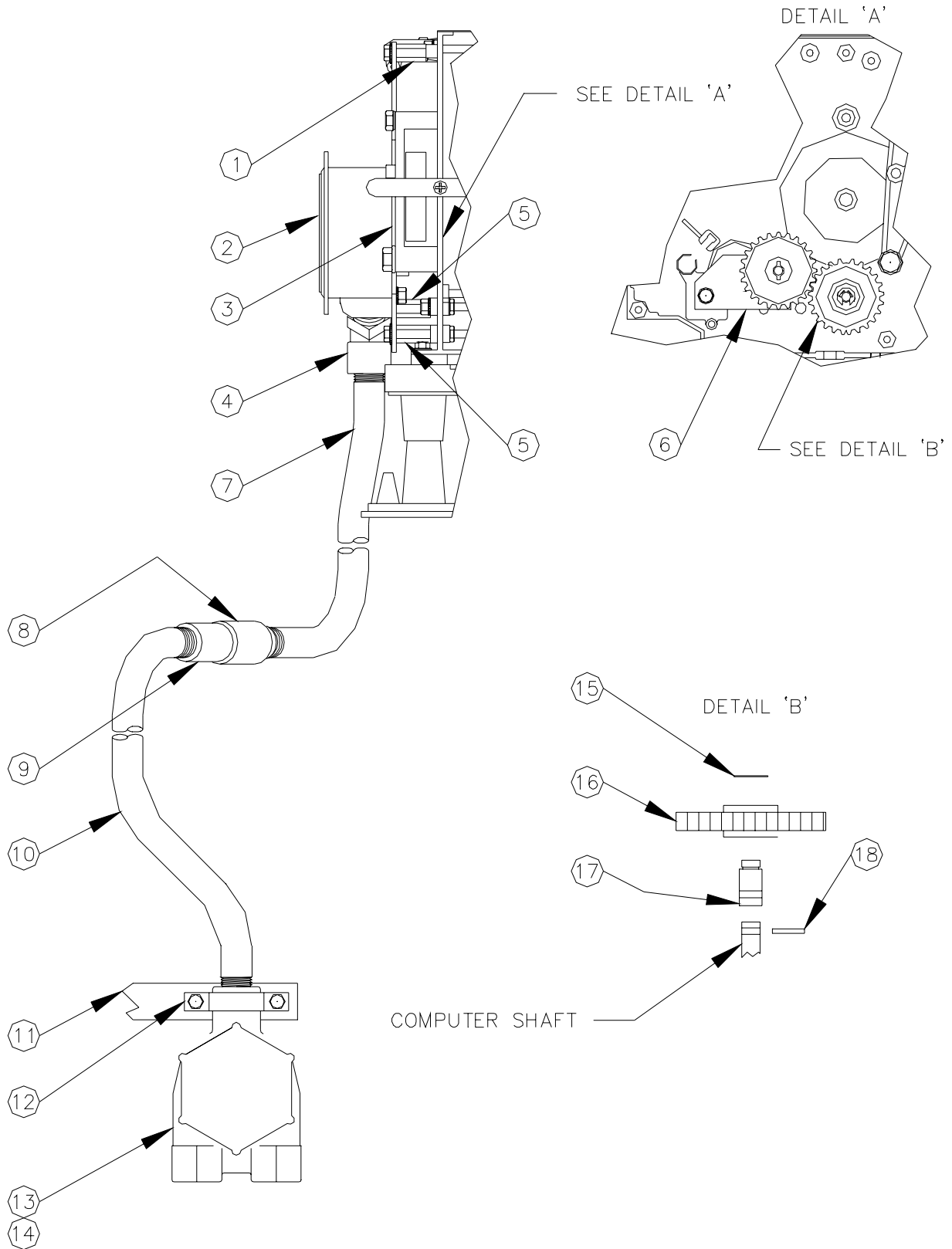
9153ATW2, 9153ATW1M, 9152ATW2 MOTOR



**9153ATW2, 9153ATW1M, 9152ATW2 MOTOR**

Item	Part No.	Description
1	F37694	Motor, 3/4 HP, 60Hz, 56FR, CC (9153ATW2, 9153ATW1M)
	F37428	Motor, 3/4 HP, 50Hz, 56FR, CC (9153ATW2, 9153ATW1M)
	F37710	Motor, 1/2 HP, 60Hz, 56FR CC (9152ATW2)
	F37334	Motor, 1/2 HP, 50Hz, 56FR CW (9152ATW2)
2	047005	Pulley, 5/8" bore, 2.4, 50/60 Hz., 9152ATW2
	047006	Pulley, 5/8" bore, 2-3/4, 60 Hz., 9153ATW2, 9153ATW1M
	047014	Pulley, 5/8" bore, 3", 50 Hz., 9153ATW2, 9153ATW1M
3	069722	Conduit, Motor, Left
4	021345	Pipe TBE, 1/2 x 1-1/2 Zinc Plt
5	066400	1/2 UNY Explosion-proof Conduit Union
6	025030	Elbow, Conduit 1/2 x 90 F/F MCH
7	021364	Conduit, 1/2 x 3-1/2
8	063949	Platform Motor
9	003116	AC Junction Box
10	003117	AC Junction Box Cover
11	021337	Conduit, 1/2 x 2
12	031315	Key

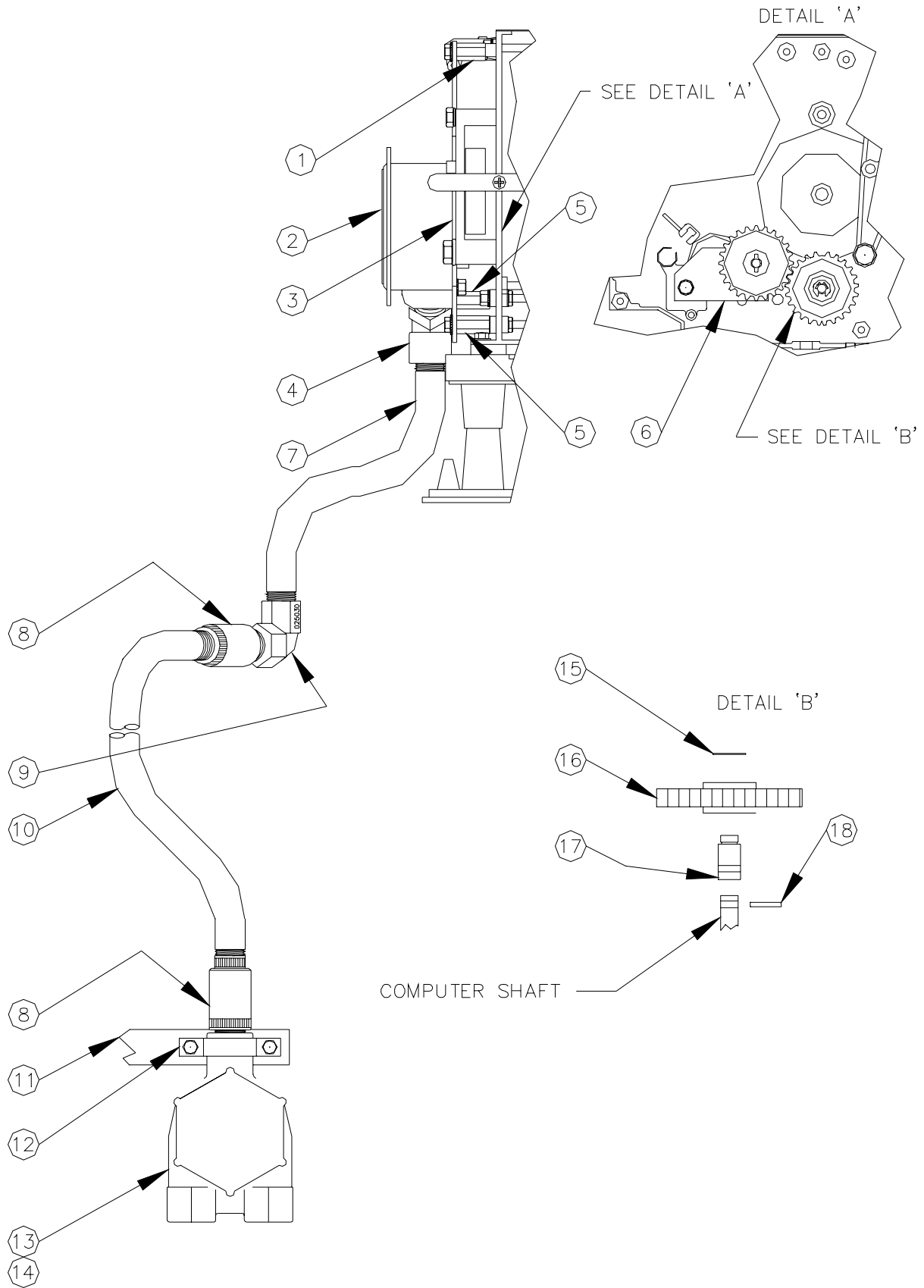
### 9100A PULSER ASSEMBLY



**9100A PULSER ASSEMBLY****Models: 9152A, 9153A, 9153AHC, 9152AX, 9153AX**

Item	Part No.	Description
1	056895	Spacer, Top, .835 Nom. Length
2	046973	Pulser, 10:1 & Coupling Assy., CX
	046972	Pulser, 100:1 & Coupling Assy., CC
3	046970	Plate, Mounting
4	025015	Elbow, Conduit, 1/2 x 45o M/F
5	056877	Spacer
6	027044	Plate and Idler Gear Assy.
7	023168	Conduit, Pulser, Upper
8	066400	1/2 UNY Explosion-proof Conduit Union
9	021986	Coupling, 1/2 Conduit
10	023171	Conduit, Pulser, Lower
11	015605	Bracket Weld Assy.
12	020740	Clamp, Junction Box
13	003461	Junction Box Cover
14	003337	Junction Box
15	049406	Ring Ret 5133-25-ZF
16	027041	Gear, Quantity
17	031035	Hub, Quan. Shaft Extension
18	043225	Pin, Spirol 5/64 x 7/16 STD PL

### 9140A/9140AX PULSER ASSEMBLY

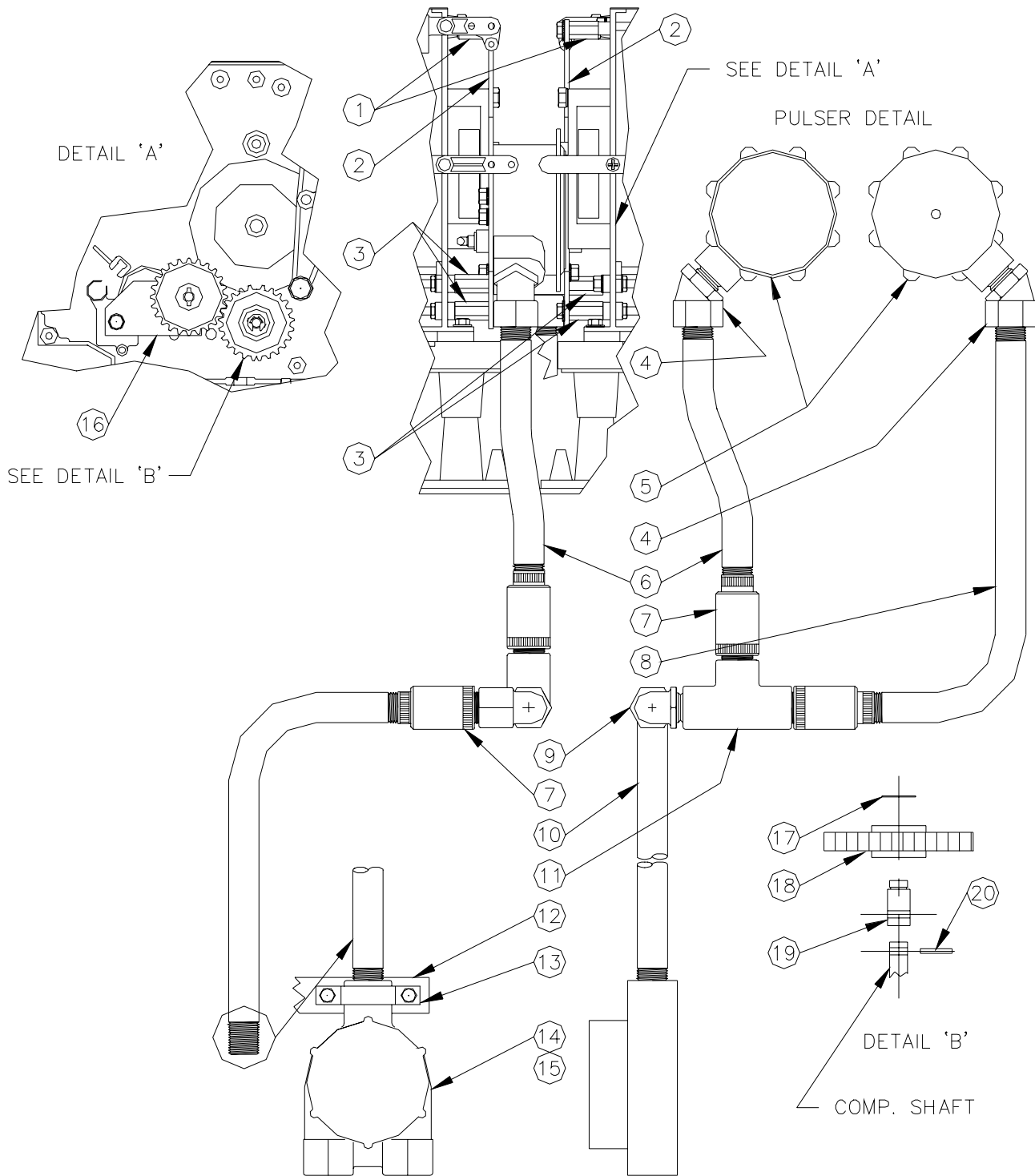




**9140A/9140AX PULSER ASSEMBLY**

Item	Part No.	Description
1	056895	Spacer, Top, .835 Nom. Length
2	046973	Pulser, 10:1 & Coupling Assy., CX
	046972	Pulser, 100:1 & Coupling Assy., CC
3	046970	Plate, Mounting
4	025015	Elbow, Conduit, 1/2 x 45o M/F
5	056877	Spacer
6	027044	Plate and Idler Gear Assy.
7	021050	Conduit
8	066400	1/2 UNY Explosion-proof Conduit Union
9	025030	Elbow, Conduit, 1/2 x 90o F/F Mach
10	023171	Conduit, Pulser, Lower
11	015605	Bracket Weld Assy.
12	020740	Clamp, Junction Box
13	003461	Junction Box Cover
14	003337	Junction Box
15	049406	Ring Ret 5133-25-ZF
16	027041	Gear, Quantity
17	031035	Hub, Quan. Shaft Extension
18	043225	Pin, Spirol 5/64 x 7/16 STD PL

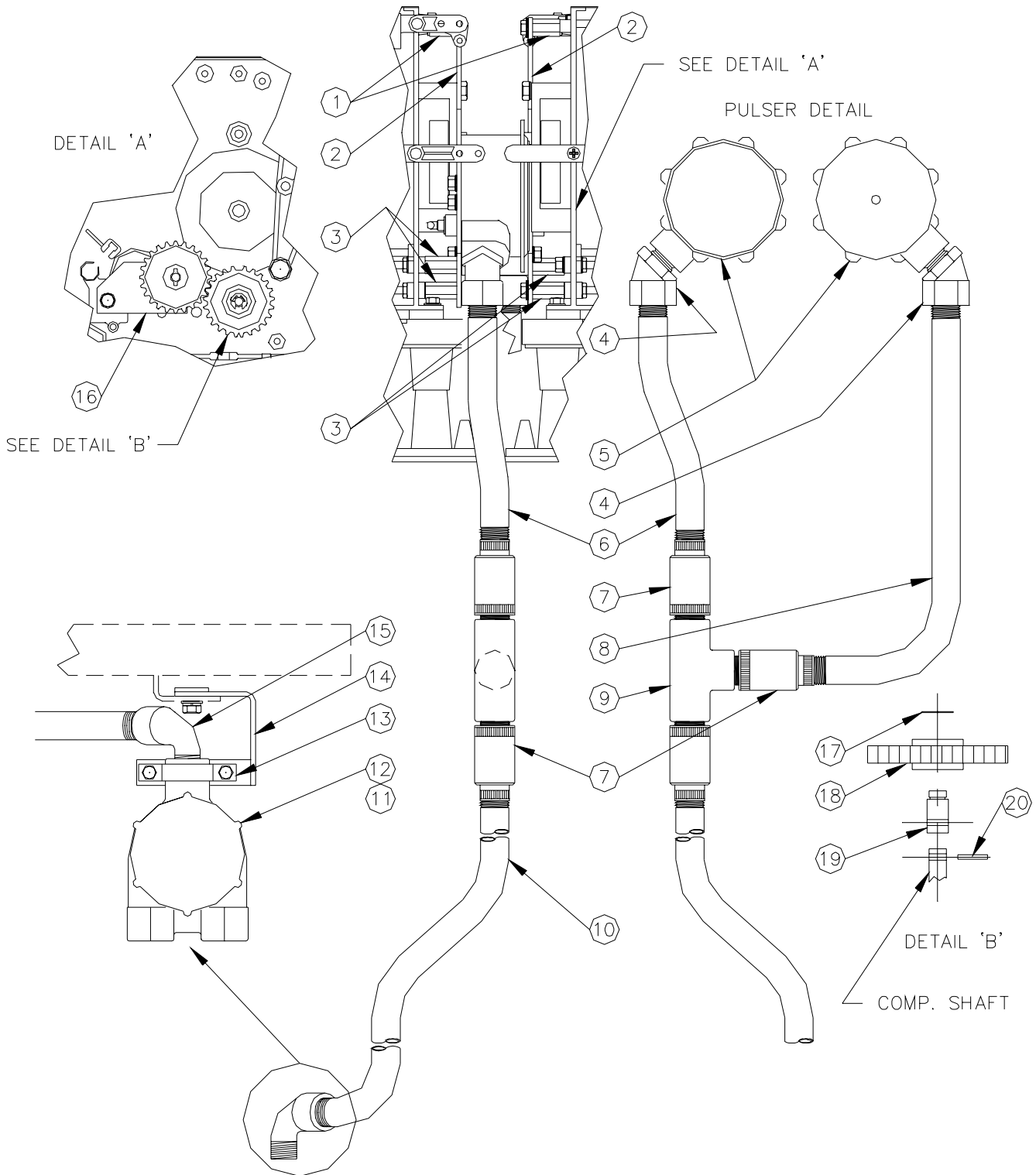
### 9152ATW1/9100AXTW PULSER ASSEMBLY



**9152ATW1/9100AXTW PULSER ASSEMBLY****9152AXTW1, 9152AXTW2, 9153AXTW1, 9153AXTW2 models manufactured after May 1997.**

Item	Part No.	Description
1	056895	Spacer, Top, .835 Nom. Length
2	046970	Plate, Mounting
3	056877	Spacer
4	025015	Elbow, Conduit, 1/2 x 45o M/F
5	046973	Pulser, 10:1 & Coupling Assy., CX
	046972	Pulser, 100:1 & Coupling Assy., CC
6	069730	Conduit, Pulser, Upper
7	066400	1/2 UNY Explosion-proof Conduit Union
8	023175	Conduit, Pulser, RS, Qty.
9	025045	Elbow, Conduit 1/2 x 90 M/F
10	069732	Conduit, Pulser, Lower
11	064830	Conduit Tee
12	015618	Bracket Weld Assy.
13	020740	Clamp, Junction Box
14	003337	Junction Box
15	003461	Junction Box Cover
16	027044	Plate and Idler Gear Assy.
17	049406	Ring Ret 5133-25-ZF
18	027041	Gear, Quantity
19	031035	Hub, Quan. Shaft Extension
20	043225	Pin, Spirol 5/64 x 7/16 STD PL

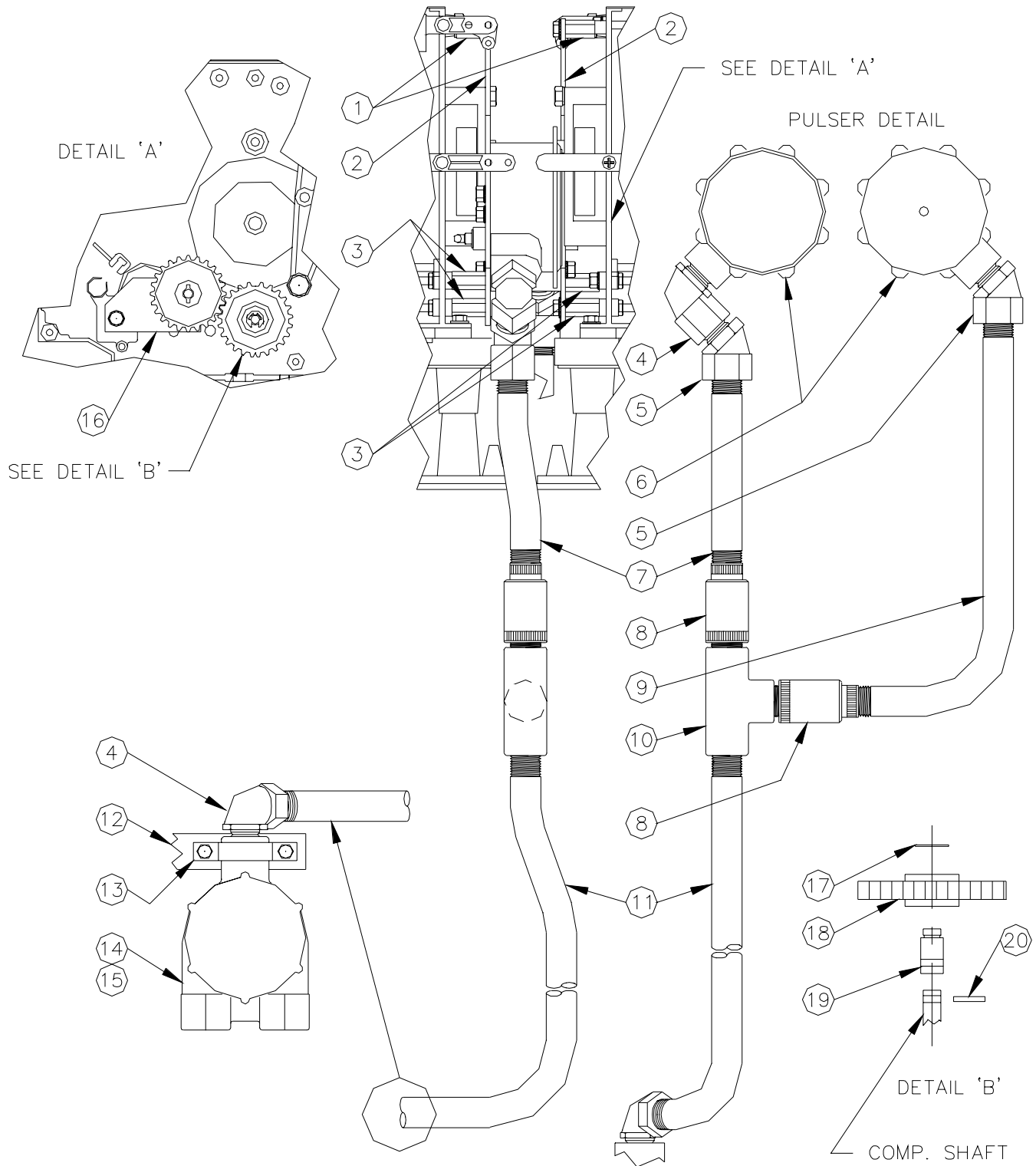
### 9152ATW2, 9153ATW2, 9153ATW1M PULSER ASSEMBLY



**9152ATW2, 9153ATW2, 9153ATW1M PULSER ASSEMBLY**

Item	Part No.	Description
1	056895	Spacer, Top, .835 Nom. Length
2	046970	Plate, Mounting
3	056877	Spacer
4	025015	Elbow, Conduit, 1/2 x 45o M/F
5	046973	Pulser, 10:1 & Coupling Assy., CX
	046972	Pulser, 100:1 & Coupling Assy., CC
6	069730	Conduit, Pulser, Upper
7	066400	1/2 UNY Explosion-proof Conduit Union
8	023175	Conduit, Pulser, RS, Qty.
9	064830	Conduit Tee
10	069731	Conduit, Pulser, Lower
11	003337	Junction Box
12	003461	Junction Box Cover
13	020740	Clamp, Junction Box
14	015770	Bracket, DC Junction Box
15	021058	Conduit Fitting, 90o
16	027044	Plate and Idler Gear Assy.
17	e049406	Ring Ret 5133-25-ZF
18	027041	Gear, Quantity
19	031035	Hub, Quan. Shaft Extension
20	043225	Pin, Spirol 5/64 x 7/16 STD PL

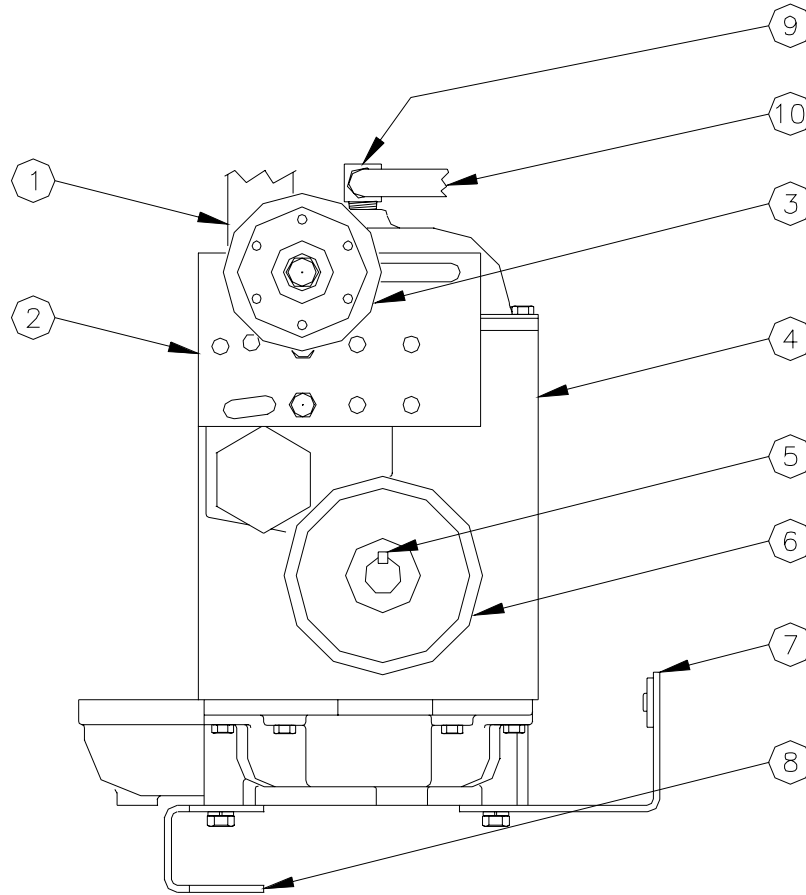
### 9100AXTW PULSER ASSEMBLY



**9100AXTW PULSER ASSEMBLY****Models manufactured prior to May 1997 only.**

Item	Part No.	Description
1	056895	Spacer, Top, .835 Nom. Length
2	046970	Plate, Mounting
3	056877	Spacer
4	025045	Elbow, Conduit 1/2 x 90 M/F
5	025015	Elbow, Conduit, 1/2 x 45o M/F
6	046973	Pulser, 10:1 & Coupling Assy., CX
	046972	Pulser, 100:1 & Coupling Assy., CC
7	069730	Conduit, Pulser, LS, Qty.
8	066400	1/2 UNY Explosion-proof Conduit Union
9	023175	Conduit, Pulser, RS, Qty.
10	064830	Conduit Tee
11	069732	Conduit, Pulser, Lower
12	015618	Bracket Weld Assy.
13	020740	Clamp, Junction Box
14	003337	Junction Box
15	003461	Junction Box Cover
16	027044	Plate and Idler Gear Assy.
17	049406	Ring Ret 5133-25-ZF
18	027041	Gear, Quantity
19	031035	Hub, Quan. Shaft Extension
20	043225	Pin, Spirol 5/64 x 7/16 STD PL

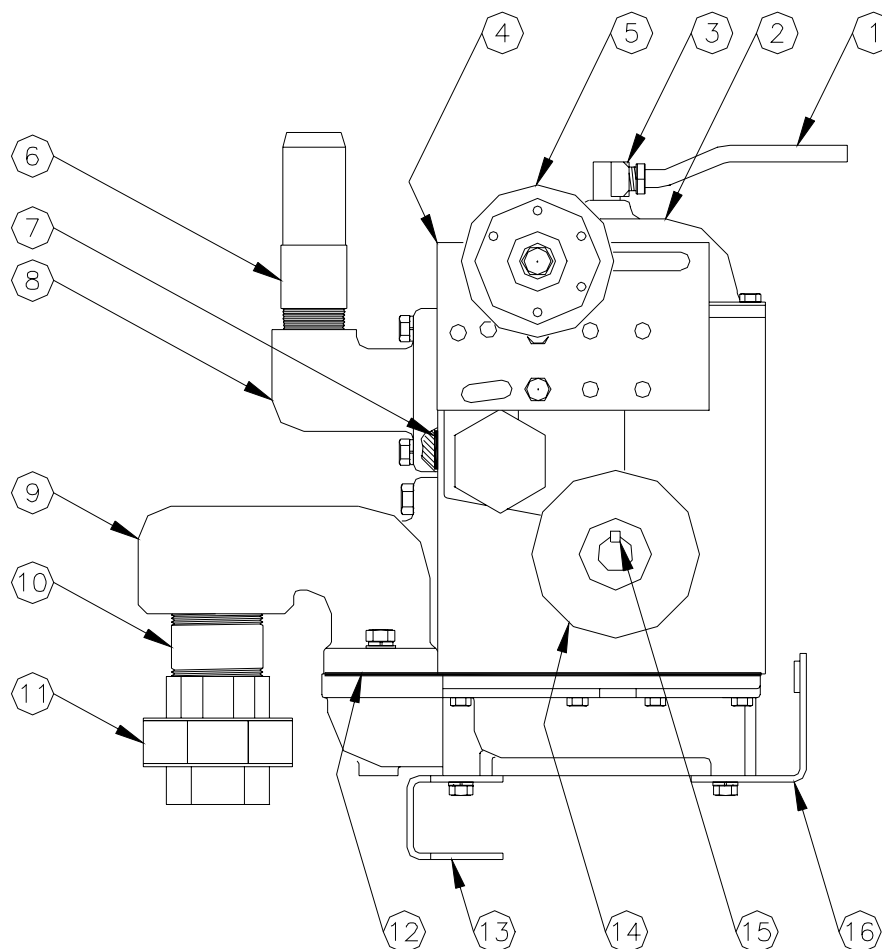
**9140A PUMPING UNIT ASSEMBLY**



Item	Part No.	Description
1	015765	Coupling Nipple
2	047008	Idler Arm
3	047009	Pulley, Idler
4	048080	Pumping Unit
5	031315	Key
6	047597	Pulley, Pump, 3.50" OD, 3/4" bore keyway
7	015622	Pump Support Bracket Weld
8	015531	Bracket, Pump Support
9	026044	Fitting, 3/8 Ct Elbow
10	065832	Vent Tube Assy.

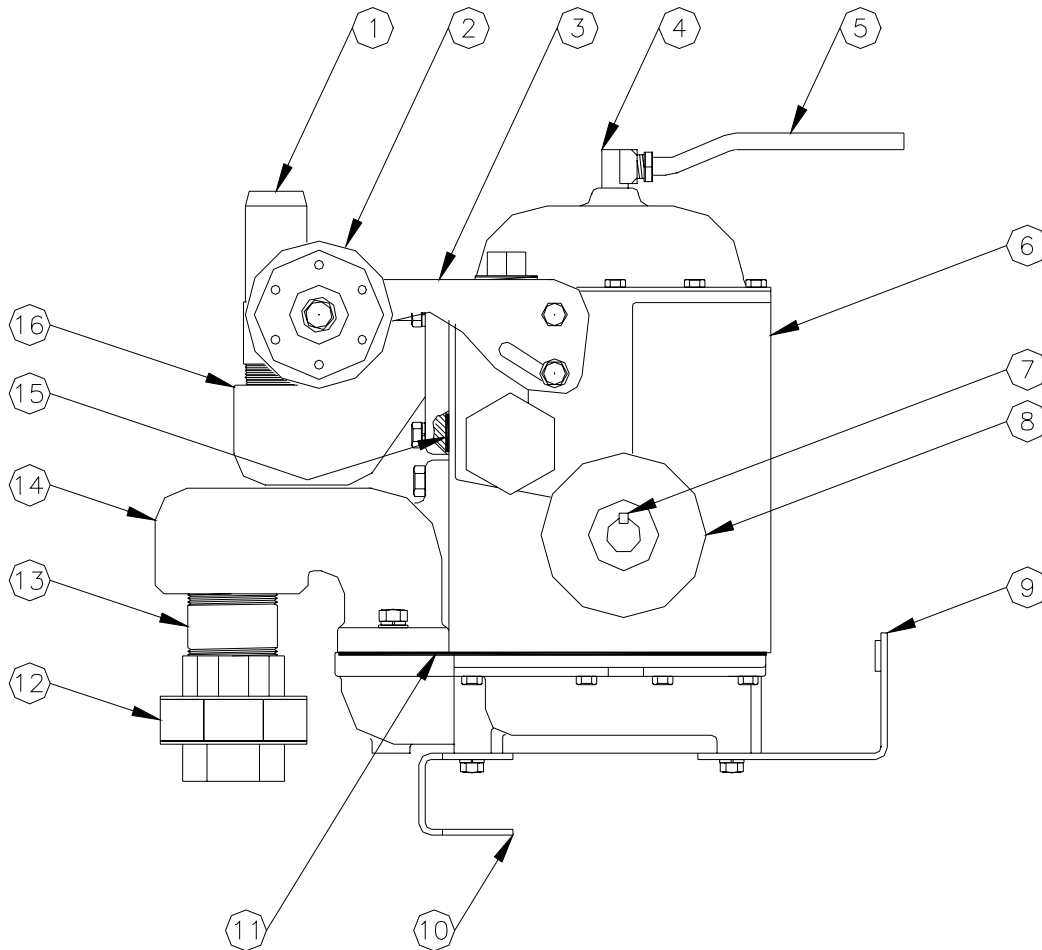


## 9152A, 9153A PUMPING UNIT ASSEMBLY



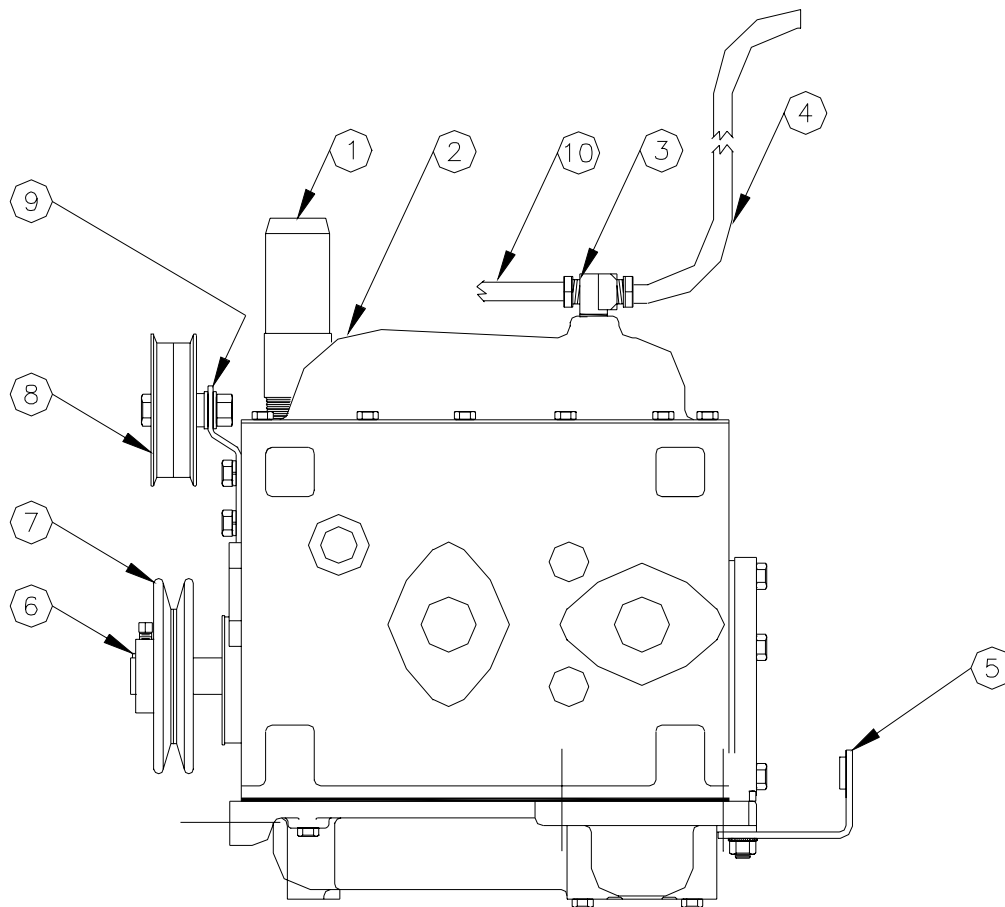
Item	Part No.	Description
1	065834	Vent Tube Assy., 8753E
2	048392	Pumping Unit, 9153A
	048393	Pumping Unit, 9152A
3	026044	Fitting, 3/8 Ct Elbow, Inv FI
4	047008	Idler Arm
5	047009	Pulley, Idler
6	015695	Coupling Nipple
7	027003	Gasket
8	048397	Pump Discharge
9	048398	Pump Inlet
10	044907	Pipe, TBE, 1-1/2 x 2-1/4
11	066385	Union, 1-1/2 #150 Stockham
12	027001	Pump Inlet Gasket
13	015531	Bracket, Pump Support
14	047597	Pulley, 3/4 Bore, 3-1/2", 9153A 50 Hz.
	047598	Pulley, 3/4 Bore, 4", 9152A, 9153A 60 Hz.; 9152A 50 Hz.
15	031315	Key
16	015621	Pump Support Bracket, Weld Assy

**9152ATW1 PUMPING UNIT ASSEMBLY**



Item	Part No.	Description
1	015695	Coupling Nipple
2	047009	Pulley, Idler
3	047007	Idler Arm
4	026044	Fitting, 3/8 Ct Elbow, Inv FI5
	065838	Vent Tube Assy.
6	048392	Pumping Unit
7	031315	Key
8	047597	Pulley, 3/4 Bore, 3-1/2
9	015622	Pump Bracket Assy.
10	015531	Bracket, Pump Support
11	027001	Pump Inlet Gasket
12	066385	Union, 1-1/2 #150 Stockham
13	044907	Pipe, TBE, 1-1/2 x 2-1/4
14	048398	Pump Inlet
15	027003	Gasket
16	048399	Pump Discharge

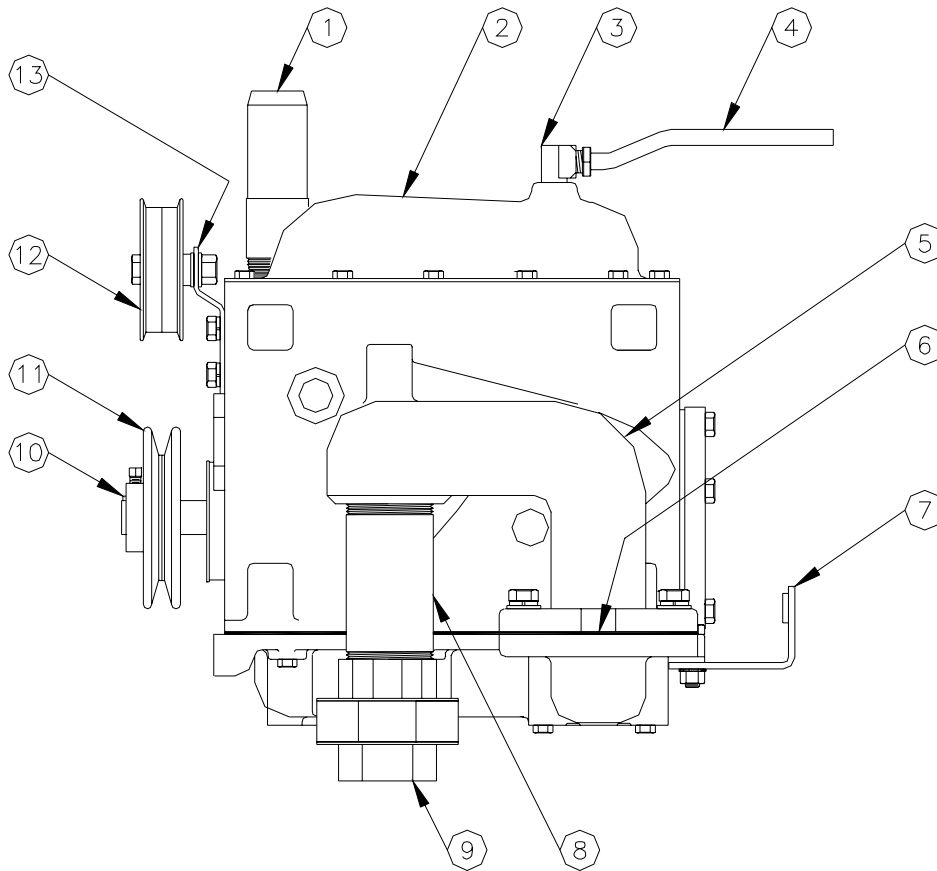
## 9153ATW1M PUMPING UNIT ASSEMBLY



Item	Part No.	Description
1	015696	Coupling Nipple, 3-7/8
2	048949	Pumping Unit (See Note)
3	026044	Fitting, 3/8 Ct Elbow
	026206	Fitting, 3/8 Ct Elbow (See Note)
4	063844	Vent Tube Assy.
5	015623	Pump Support Bracket Weld Assy.
6	031315	Key
7	047597	Pulley, 3/4 Bore, 3-1/2, 9153ATW2
8	047009	Pulley, Idler
9	047008	Idler Arm
10	065845	Vent Tube Assy.

**NOTE:** If your model was built prior to serial number 471906, you must also order the check valve retrofit kit 032104 when replacing the pumping unit. (Serial number is found on the UL nameplate on the side of the unit.)

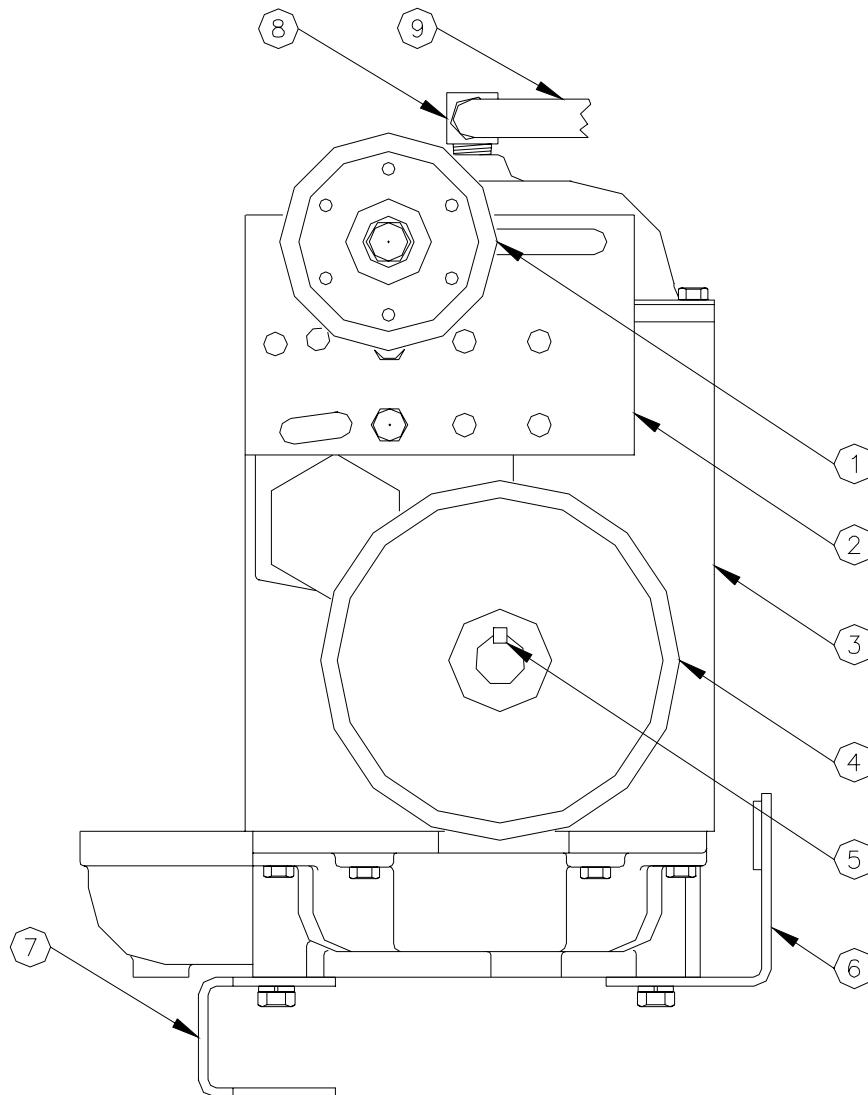
## 9152ATW2, 9153ATW2 PUMPING UNIT ASSEMBLY



Item	Part No.	Description
1	015696	Coupling Nipple, 3-7/8
2	048394	Pumping Unit, 9152ATW2
	048949	Pumping Unit, 9153ATW2 (See Note)
3	026044	Fitting, 3/8 Ct Elbow
4	063844	Vent Tube Assy.
5	048400	Pump Inlet
6	027001	Pump Inlet Gasket
7	015623	Pump Support Bracket Weld Assy.
8	044912	Pipe TBE, 1-1/2 x 4-1/2
9	066385	Union, 1-1/2 #150 Stockham
10	031315	Key
11	047598	Pulley, 3/4 Bore, 4, 9152ATW2
	047597	Pulley, 3/4 Bore, 3-1/2, 9153ATW2
12	047009	Pulley, Idler
13	047008	Idler Arm

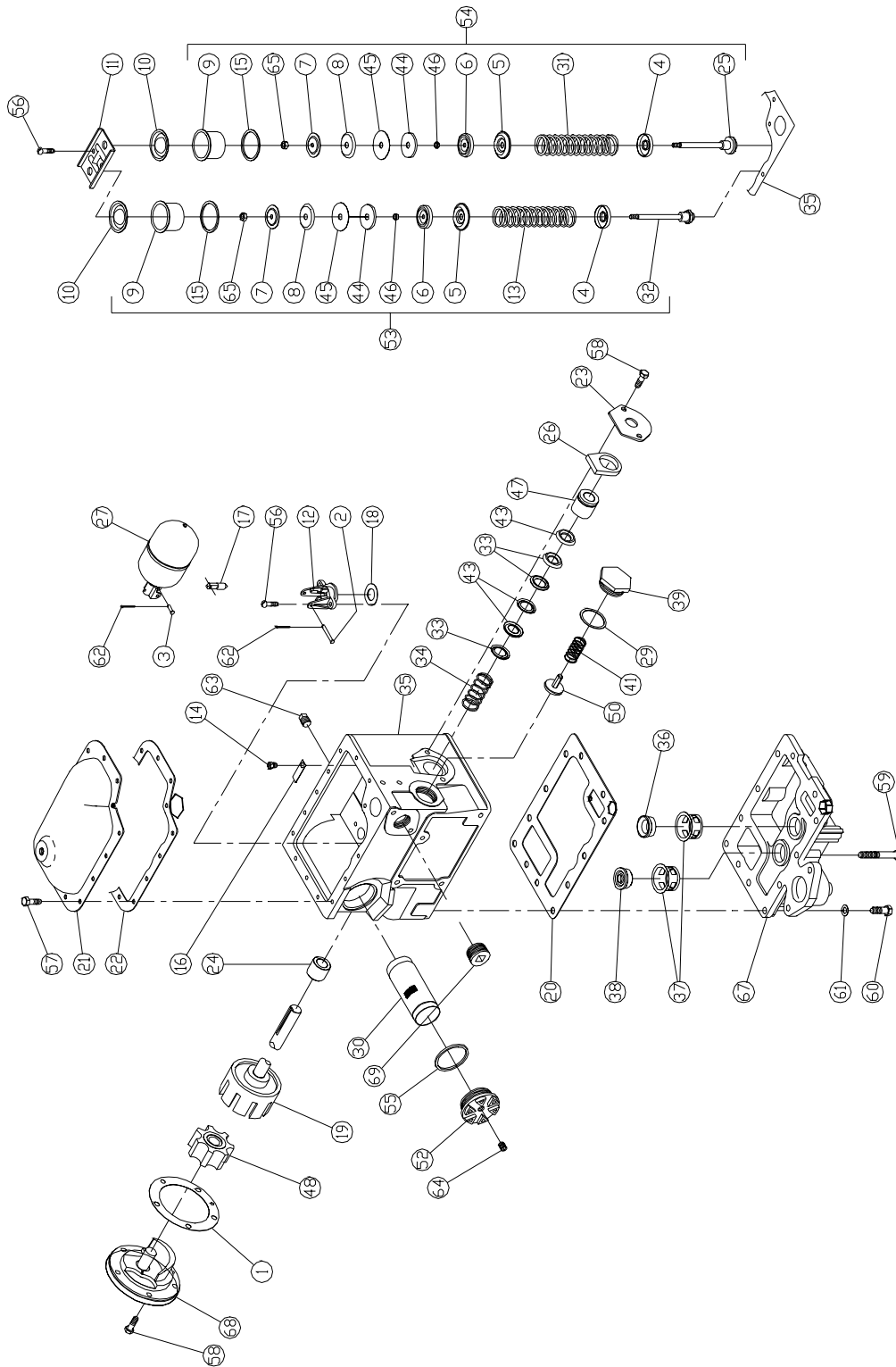
**NOTE:** *If your model was built prior to serial number 471906, you must also order the check valve retrofit kit 032104 when replacing the pumping unit. (Serial number is found on the UL nameplate on the side of the unit.)*

## 9153AHC PUMPING UNIT ASSEMBLY



Item	Part No.	Description
1	047009	Pulley, Idler
2	047008	Idler Arm
3	048080	Pumping Unit
4	047015	Pulley, 3/4 Bore, 5-1/4
5	031315	Key
6	015621	Pump Support Bracket, Weld Assy.
7	015531	Bracket, Pump Support
8	026044	Fitting, 3/8 Ct Elbow, Inv FI
9	065836	Grommet

### PUMPING UNIT ASSEMBLY BREAKDOWN



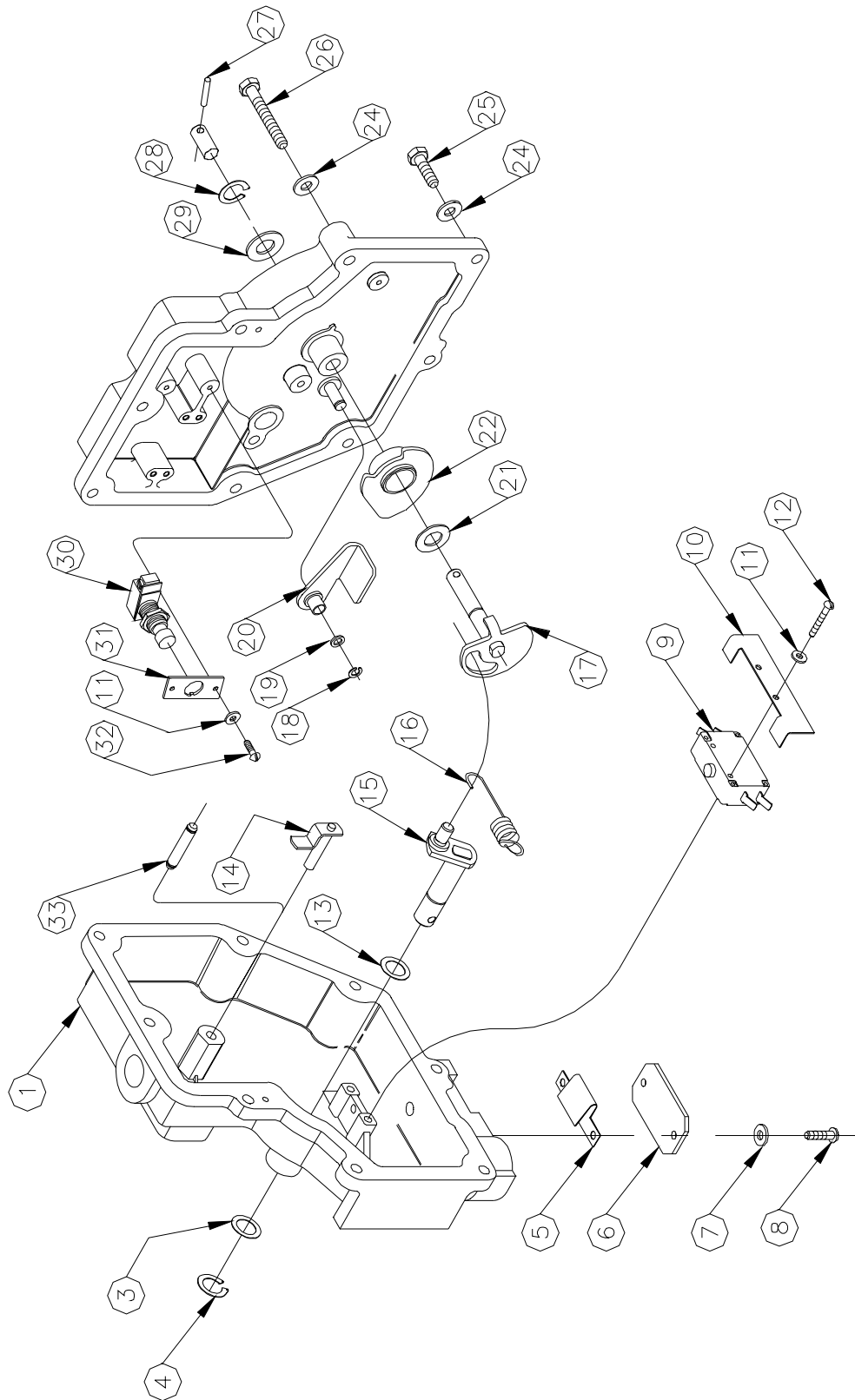
## PUMPING UNIT ASSEMBLY BREAKDOWN

Item	Part No.	Description	Item	Part No.	Description
1	S00117	Gasket	50	S00098	Poppet Disc. & Relief Valve Assy
2	S00456	Float Lever Pin	52	063261	Suction Strainer Cap
3	S00066	Valve Pin	53	S00125	By-pass Valve Assembly (34# to 35-1/2# spring, 9152A, 9152ATW2)
4	S00067	Guide Plate		S00126	By-pass Valve Assembly (44-1/2# spring, 9153A, 9153AHC, 9140A, 9152ATW1)
5	S00068	Spring Plate			
6	S00069	Plunger Head			
7	S00072	Plunger Plate			
8	S00073	Plunger Follower			
9	S00074	Valve Cylinder			
10	S00075	Cylinder Head	54	S00127	Regulating Valve Assembly
11	S00076	Clamp Plate	55	026768	Gasket
12	S00077	Float Valve Body	56	S00451	1/4-20 x 7/8 Lg. Rd. Hd. Mach Screw
13	S00078	By-Pass Valve Spring (#34 to 35-1/2# spring, 9152A, 9152ATW2)	57	S00452	1/4-20 x 1/2 Lg. Hex Hd. Cap Screw
S00079		By-Pass Valve Spring (44-1/2# Spring, 9153A, 9153AHC, 9140A, 9152ATW1)	58	S00453	5/16-18 x 7/8 Lg. Hex. Hd. Cap Screw
14	S00080	Vent Screw	59	S00454	3/8-16 x 2-3/4 Lg. Hex. Hd. Cap Screw
15	S00062	Valve Cylinder Gasket	60	S00455	3/8-16 x 1-1/8 Lg. Hex. Hd. Cap Screw.
16	S00081	Vent Screw Guard	61	S00458	3/8 Lockwasher (ATW1M & ATW2)
17	S00082	Float Valve Needle	62	S00457	1/16 x 1/2 Lg. Cotter Pin
18	S00083	Float Valve Gasket	63	S00459	1/4 Sq. Hd. Pipe Plug
19	S00128	Pump Rotor Shaft Assembly	64	S00460	1/4 Countersunk Pipe Plug (ATW1M & ATW2)
20	S00119	Bottom Head Gasket	65	S00461	1/4 - 28 Hex. Nut
21	S00084	Separator Cover	67	S00462	Lower Pump Head w/Valve Seat Guides, Regulating Valve Seat & By-pass Valve Seat (9152A, 9153A, and ATW1 Series only)
22	S00120	Cover Gasket		S00463	Lower Pump Head w/ Valve Seat Guides, Regulating Valve Seat & By-Pass Valve Seat (9153AHC, 9140A)
23	S00085	Retainer		S00464	Lower Pump Head w/Valve Seat Guides, Regulating Valve Seat and By-Pass Valve Seat (ATW1M & ATW2) <i>NOTE: If your dispenser was built prior to serial number 471906 you must order check valve retrofit kit 032104 when replacing the lower pump head,</i>
24	S00121	Bearing			
25	S00086	Regulating Poppet Assy	68	S00057	Rotary Pump Head Assembly
26	S00124	Oil Well Felt	69	S00465	1" Pipe Plug (ATW1M & ATW2)
27	S00061	Float Assembly			
29	S00718	Gasket			
30	063312	Suction Screen (Gasoline, 100 mesh)			
	063313	Suction Screen (Diesel, 40 mesh)			
31	S00088	Regulating Valve Spring			
32	S00089	By-pass Valve Poppet			
33	S00056	Packing Gland			
34	S00090	Packing Spring			
35	S00091	Rotary Pump & Separator Body w/Gasket, Bearing, Screws & Spring			
36	S00092	Regulating Valve Seat			
37	S00093	Valve Seat Guide			
38	S00094	By-pass Valve Seat			
39	S00717	Check Valve Cap			
41	S00447	Poppet Spring			
43	S00116	"V" Packing			
44	S00095	Plunger Guide			
45	S00096	Plunger Disc			
46	S00097	Plunger Spacer			
47	S00122	Drive Shaft Bearing			
48	S00129	Rotary Pump Idler			
50	S00098	Poppet Disc. & Relief Valve Assy			

NOTE: For complete rotary pump and air separator, order:

P/N	Models
048080	9153AHC, 9140A
048393	9152A
048392	9153A, 9152ATW1
048394	9152ATW2
048395	9153ATW2, 9153ATW1M (built prior to 8/97)
048949	9153ATW2, 9153ATW1M (built after 8/97)

## RESET, MANUAL

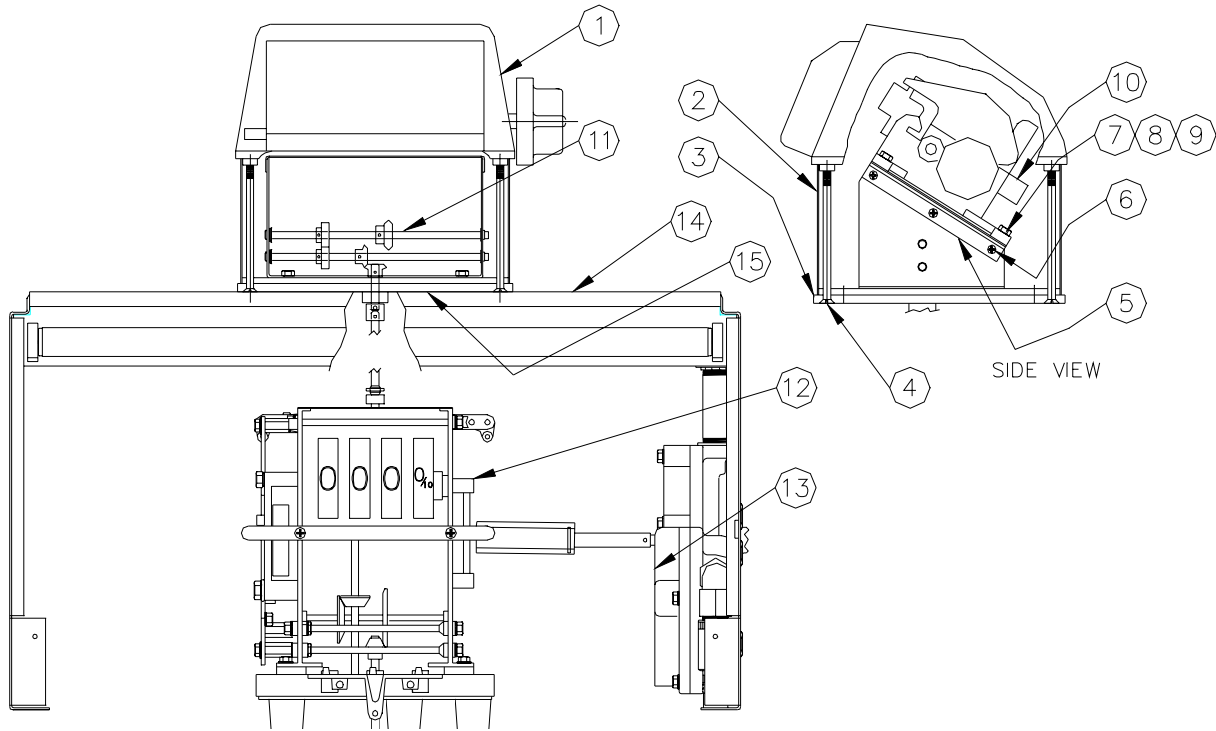




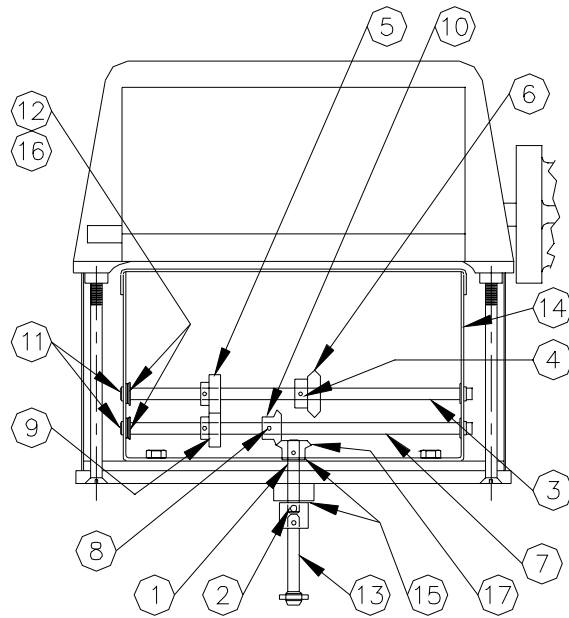
**RESET, MANUAL**

Item	Part No.	Description
1	048555	Reset Box and Pin Assembly
3	013034	Wave Spring Washer
4	048612	Truarc Retaining Ring
5	013071	Operator Spring
6	013081	Support Plate, Operating Spring
7	C01171	Lockwasher, #8
8	013104	Machine Screw, #8-32 x 3/8 Fillister Hd
9	064466	Switch, DPST
10	013059	Switch Cover
11	068843	Lockwasher #6
12	C01946	Screw #6-32 x 7/8 PN HD PHL PL
13	067109	Brass washer
14	010008	Actuator Assembly
15	013055	Handle, Operator Assy.
16	057806	Handle Spring
17	013126	Output Shaft Assembly
18	048629	Truarc Retaining Ring
19	013018	Shim Washer
20	013058	Operator Assembly
21	013026	Washer
22	013057	Pawl Assembly
23	013067	Cover and Bearing Assembly
24	068891	Lockwasher #1114
25	051808	Hex Head Cap Screw, 1/4-20 x 7/8 Lg
26	052345	Hex Head Cap Screw, 1/4-20 x 1-3/4 Lg
27	013129	Groov-pin, 5/32 x 7/8
28	049424	Truarc Retaining Ring
29	013007	Thrust Washer
30	013053	Light Switch
31	013022	Switch Bracket
32	053624	Screw 6-32 x 5/16 Rd Hd Phil.
33	042824	Pin, Drive-Lok, 1/4 x 1/2

TICKET PRINTER, SINGLE OR TWIN PUMP/DISPENSER



TICKET PRINTER BREAKDOWN - ENLARGED FROM ABOVE DRAWING TO SHOW DETAIL



**TICKET PRINTER, SINGLE OR TWIN PUMP/DISPENSER**

Item	Part No.	Description
1	074009	Top Mount Ticket Printer Assy. (Zero Start)
	074903	Top Mount Ticket Printer Assy. (Accum)

**NOTE:** Items 2 through 11 are subcomponents of item 1.

2	022123	Cover Assy.
3	003002	Baseplate Weld Assy - Ticket printer
4	053904	Capscrew, flat head 1/4 x 20 x 4-3/4P
5	014642	Bracket
6	053652	Screw, 8-32 x 1/4 Lg. washer head
7	051805	Screw, 1/4-20 x 5/8 HHC
8	068891	Lockwasher, Ext ¼
9	038860	Nut, 1/4-20 Hex
10	064892	Ticket printer (zero start)
11	031700	Top Mount Ticket Printer Bottom Assy., (See breakdown below for individual components)
12	021082	Non-Computer, Top Drive (US Gallons)
13		Reset, Electric (See <b>Electric Reset</b> breakdown)
14	022476	Top Cover, SS 9100A TP
	022477	Top Cover, Painted, 9100A TP (See Note)
	022483	Top Cover, SS, 9100ATW TP
	022484	Top Cover, Painted, 9100ATW TP (See Note)
	022459	Top Cover, SS, 9140A/9140AX, TP
	022457	Top Cover, Painted, 9140A/9140AX, TP (See Note)
15	027146	Gasket, 1/8 x 1/4 x 3 Ft Lg

**NOTE:** Specify standard color (black, white, red). If not a standard color, specify serial number of pump/dispenser.

**TICKET PRINTER, BOTTOM ASSEMBLY BREAKDOWN**

Item	Part No.	Description
1	*055084	Shaft Assembly
2	*043221	Pin, Spirol, 1/16 x 3/4 painted zinc
3	*055086	Shaft Assembly
4	**043220	Pin, Spirol
5	*028289	Spur Gear
6	*028287	Miter Gear
7	*055085	Shaft Assembly
8	**043220	Pin, Spirol
9	**028289	Spur Gear
10	**028301	Miter Gear
11	*011790	Bearing
12	*049406	Ring, Retaining
13	*037014	Drive Link Assembly
14	*026621	Frame
15	*011771	Bearing
16	*067975	Washer, Brass
17	*028301	Miter Gear

## 9100 SERIES KITS AND ACCESSORIES

### Filter Components

Filter Elements - 9152A Standard Speed Models (up to 15 GPM)

026005 Standard  
026042 Hydrosorb  
025909 Methanol

Filter Elements - 9153A High Speed Models (up to 22 GPM)

026018 Standard  
026019 Hydrosorb  
026284 Methanol

External Filter Elements - Super Speed Models (25-40 GPM)

025900 Standard  
025901 Hydrosorb

External Filter Kits

032115 External Standard Flow Kit, 9152A (includes adapter and standard speed element)  
032116 External Standard Flow Kit with Hydrosorb element, 9152A  
032754 External High Flow Kit, 9153A and 9140A Models (Includes adapter, super speed element and pipe fittings. Not for use with methanol).  
032755 External High Flow Kit with Hydrosorb element, 9153A and 9140A Models

### Pulser Kits (For Field Retrofit)

**Models 9152A, 9153A, 9153AHC, 9152AX, 9153AX**

033056 10:1 ratio  
033032 100:1 ratio

**Models 9140A, 9140AX**

032740 10:1 ratio  
032745 100:1 ratio

**Models 9152ATW1, 9152AXTW1, 9152AXTW2, 9153AXTW1, 9153AXTW2**

032720 10:1 ratio  
032721 100:1 ratio

**Models 9152ATW2, 9153ATW2, 9153ATW1M**

032737 10:1 ratio  
032725 100:1 ratio

### Vapor Recovery Kits (Balanced System)

033020 Vapor Recovery Kit  
048228 Vapor Recovery Complete

### High Hose Retriever Kits

See High Hose retriever breakdown page for kit part numbers.

**Lamp Kits**

032122	220V/50Hz., 9100A*
032123	220V/60Hz., 9100A*
032124	120V/60Hz., 9100A
032125	220V/50Hz., 9100ATW*
032126	220V/60Hz., 9100ATW*
032127	120V/60Hz., 9100ATW

\*Typically used in international applications.

**Check Valve Retrofit Kit (TW1M only)**

032104	9153ATW1M
--------	-----------

Required when retrofitting a TW1M built prior to serial number 471906 with a new pumping unit.

**Front Totalizer Field Kits (Relocates mechanical totalizer to the front of the dispenser)**

032763	Single hose outlet models (except for 9140A)
032767	Twin hose outlet models
032764	9140 Models

**Handcrank Kits****(Provides components needed to dispense product from suction pumps by use of a hand crank)**

032048	Single hose outlet models (not for use on pumps with optional solenoid valves)
032047	Twin hose outlet models (not for use on 9152ATW1, pumps with optional solenoid valves, or twin units with pulsers. One kit provides components needed to operate <i>one side</i> of a twin unit).

# WARRANTY

**General Statements:**

Gasboy International LLC. warrants all new equipment manufactured by Gasboy against defective material and/or workmanship, for the warranty period specified below, when the equipment is installed in accordance with specifications prepared by Gasboy.

This warranty does not cover damage caused by accident, abuse, Acts of God, lack of surveillance of automatic recording systems, negligence, mis-application, faulty installation, improper or unauthorized maintenance, installation or use in violation of product manuals, instructions, or warnings. Under no circumstance shall Gasboy be liable for any indirect, special, or consequential damages, losses, or expenses to include, but not limited to, loss of product, loss of profits, litigation fees, or the use, or inability to use, our product for any for any purpose whatsoever.

Parts Only - During the warranty period, Gasboy will, at its option, repair or replace defective parts returned transportation prepaid to its factory.

On-Site Labor Included - Gasboy will also provide, within the Continental United States and during the warranty period, the services of an Authorized Service Representative (ASR) for on-site repair or replacement of defective parts.

Replacement Parts - Any system components that are not part of the original system order, including Island Card Readers, Pump Control Units, etc., are considered replacement parts.

Equipment	Term	Coverage
Commercial Pumps and Dispensers Full-Cabinet Consumer Pumps	One year from date of installation or 18 mos. from date of Gasboy International's invoice to the purchaser, whichever comes first.	Parts and Labor.
Small Transfer Pumps, Meters, Pressure Regulators	One year from date of installation or 18 mos. from date of Gasboy International's invoice to the purchaser, whichever comes first.- Excepting the Model 2020 Hand Pump, which has a 90-day warranty from date of GASBOY International's invoice.	Parts Only.
Keytrol	One year from date of installation or 18 mos. from date of Gasboy International's invoice to the purchaser, whichever comes first.	Parts and Labor.
Fuel Management Systems: - CFN/ Profit Point - Series 1000/Fleetkey - TopKAT - Fuel Point Readers (sold with new systems)	One year from date of start-up or 15 mos. from date of Gasboy International's invoice to the purchaser, whichever comes first.- The basic warranty only applies to systems which have been started up by a Gasboy Authorized Service Representative (ASR).	Parts and Labor.
Additional Fuel Point Items: - Fuel Point Readers sold for retrofitting existing systems. - Fuel Point vehicle and dispenser components.	One year from date of start-up or 15 mos. from date of Gasboy International's invoice to the purchaser, whichever comes first.	Parts Only.
Encoders, Embossers, Modems, CRTs, and Logger Printers	Purchased with Fuel Management System (Encoders, Embossers only): 90 days from the date of start-up by a Gasboy ASR, or 180 days from date of Gasboy International's invoice, whichever occurs first.  Purchased with Fuel Management System (Modems, CRTs, and Logger Printers only): Matches system warranty.  Purchased Separately: 90 days from date of Gasboy International's invoice to the purchaser.	Purchased with System (Encoders, Embossers only): Parts only.  Purchased with System (Modems, CRTs, Logger Printers only): Matches system warranty.  Purchased Separately: Parts Only.
Air Diaphragm Pumps	Three years from date of purchase (for full warranty description, see Price List).	Parts Only.
Items not manufactured by Gasboy (ex. automatic nozzles, hoses, swivels, etc.)	Not warranted by Gasboy International (consult original manufacturer's warranty).	Not Applicable.
Replacement Parts	One year from date of Gasboy International's invoice to the purchaser.	Parts Only.

To the extent permitted by law, this warranty is made in lieu of all other warranties, expressed or implied, including warranties of freedom from patent infringement, or merchantability, or fitness for a particular purpose, or arising from a course of dealing or usage of trade. No one is authorized to vary the terms of the warranty nor may anyone make any warranty of representation, or assume any liability other than that herein stated, in connection with the sale described herein. The acceptance of any order by Gasboy International is expressly made subject to the purchaser's agreement to these conditions.


**GASBOY INTERNATIONAL LLC**

P.O. Box 309, Lansdale, PA 19446 ● (800) 444-5579 ● FAX: (800) 444-5569 ● www.gasboy.com