

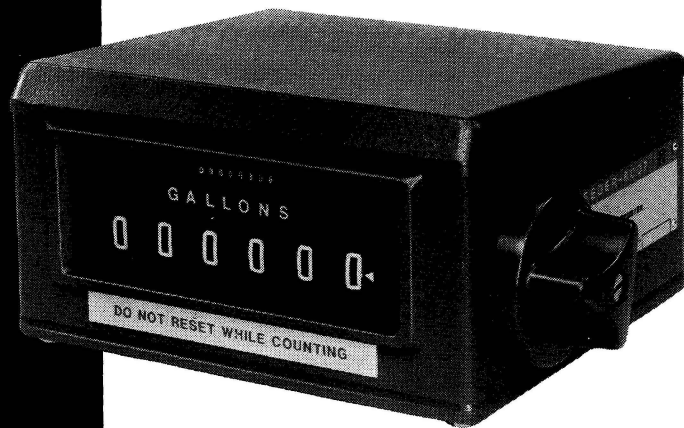
Parts List

Technical Manual
8-026
Issued: 11/15
Supersedes: 8/98

Manual No. 251579
Rev. D

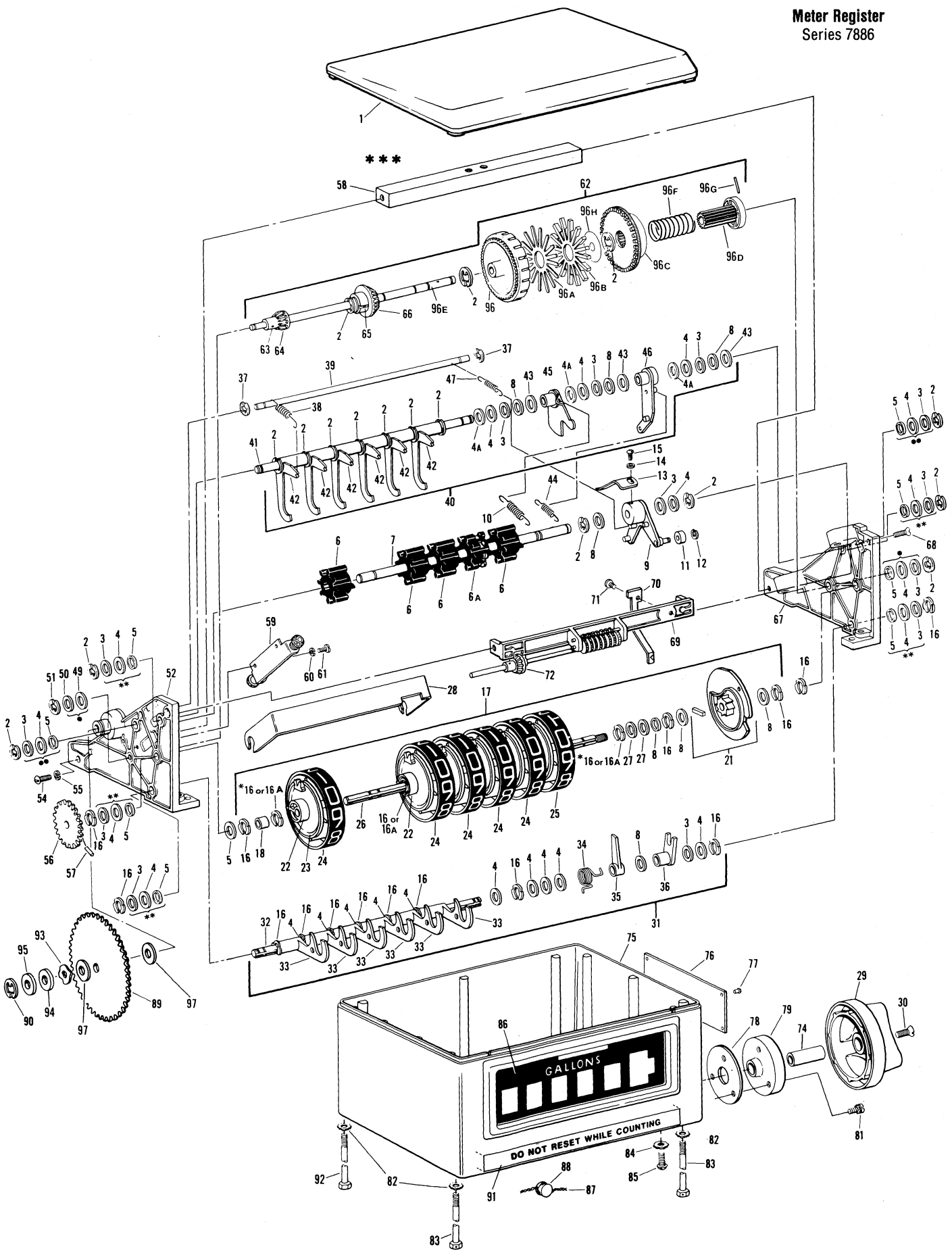
METER REGISTER

SERIES
7886



VEEDER-ROOT 

**Meter Register
Series 7886**



| ITEM NO. | PART NO. | PART NAME | QUANTITY PER UNIT |
|----------|-------------|--|-------------------|
| 1 | 80602-7-045 | Cover | 1 |
| 2 | 511810-001 | Retaining Ring | 19 |
| 3 | 74800-360 | Washer (0.005) | As Req. |
| 4 | 11071-208 | Washer (0.010) | As Req. |
| 4a | 885005-050 | Washer (0.003) | As Req. |
| 5 | 11071-159 | Washer (0.031) | As Req. |
| 6 | 324601-001 | Pinion-Transfer | 4 |
| 6A | 324601-002 | Pinion-Transfer | 1 |
| 7 | 324687-003 | Shaft-Pinion | 1 |
| 8 | 11071-159 | Washer (0.031) | 5 |
| 9 | 324744-001 | Detent Lever Group | 1 |
| 10 | 310300-368 | Spring-Clutch | 1 |
| 11 | 324765-001 | Roller | 1 |
| 12 | 511807-001 | Retaining Ring | 1 |
| 13 | 324651-001 | Brake | 1 |
| 14 | 510055-030 | Lockwasher (No. 2) | 1 |
| 15 | 500740-001 | Screw (2-64) | 1 |
| 16 | 511805-324 | Retaining Ring | 22 |
| 16a | 511805-329 | Retaining Ring (0.025) | As Req. |
| 17 | 328825-001 | Wheel Shaft Group (Also includes Item Nos. 8, 16, and/or 16a) | 1 |
| 18 | 884010-019 | Sleeve-Shutter | 1 |
| 19 | 11017-905 | Washer (0.014) | As Req. |
| 20 | 11071-869 | Washer (0.006) | As Req. |
| 21 | 312020-872 | Kit Cam-Multiple w/key | 1 |
| 22 | 324602-001 | Eccentric | 6 |
| 23 | 324603-001 | Locking Disc | 6 |
| 24 | 324824-001 | Middle and Left Wheel | 5 |
| 25 | | Right Hand Wheel | 1 |
| | 328823-001 | 0-9 and 10 Grads W/B | |
| | 328823-002 | 0-9 and 100 Grads W/B | |
| 26 | 324686-003 | Shaft-Wheel | 1 |
| 27 | 11071-965 | Washer (0.040) | As Req. |
| 28 | 324645-001 | Shutter | 1 |
| 29 | 324757-001 | Knob | 1 |
| 30 | 503648-001 | Screw | 1 |
| 31 | 328826-001 | Reset Shaft Group (Also includes Item Nos. 3, 4, 8 & 16) | 1 |
| 32 | 324660-002 | Shaft-Reset | 1 |
| 33 | 324597-002 | Finger-Reset | 6 |
| 34 | 310340-587 | Spring | 1 |
| 35 | 324644-001 | Pawl-No Back | 1 |
| 36 | 324655-001 | Arm-Reset | 1 |
| 37 | 511807-001 | Retaining Ring | 3 |
| 38 | 310300-329 | Spring-Anti-Topping | 5 |
| 39 | 324693-001 | Shaft-Stop | 1 |
| 40 | 328829-001 | Anti-Topping Finger Shaft Group (Also includes Item Nos. 2, 3, 4, 4a, & 8) | 1 |
| 41 | 324682-002 | Shaft-Anti-Topping | 1 |
| 42 | 324596-003 | Finger-Anti-Topping | 6 |
| 43 | 11071-208 | Washer (0.010) | 2 |
| 44 | 310300-330 | Spring-Reset | 1 |
| 45 | 324747-001 | Clutch Lever Group | 1 |
| 46 | 324743-001 | Reset Lever Group | 1 |
| 47 | 310300-331 | Spring-Detent | 1 |
| 48 | 74800-291 | Washer (0.056) | As Req. |
| 49 | 11071-485 | Washer (0.010) | As Req. |
| 50 | 11017-833 | Washer (0.005) | As Req. |
| 51 | 511807-001 | Retaining Ring | 1 |
| 52 | 324749-001 | Left-Hand Plate Group (Also includes 59, 60, 61) | 1 |

| ITEM NO. | PART NO. | PART NAME | QUANTITY PER UNIT |
|----------|--------------|---|-------------------|
| 53 | Deleted | | |
| 54 | 370100-015 | Screw (10-32) | 2 |
| 55 | 510031-001 | Lockwasher (No. 10) (Service Only) | 2 |
| 56 | 403071-419 | Gear-Register | 1 |
| 57 | 510187-001 | Pin, Groove | 1 |
| 58*** | 324647-002 | Bar, Rear Mounting | 1 |
| 59 | 324748-002 | Bracket Group | 1 |
| 60 | 510057-001 | Lockwasher (No. 4) | 2 |
| 61 | 501249-001 | Screw (4-40) | 2 |
| 62 | 325043-001 | Clutch Shaft Group (Also includes Item Nos. 2, 96, & 96A through 96H) | 1 |
| 63 | 510176-001 | Pin | 1 |
| 64 | 324662-001 | Bevel Gear | 1 |
| 65 | 510198-001 | PIN-GROOV-TYPE 5 | 1 |
| 66 | 324661-001 | Bevel Gear | 1 |
| 67 | 324754-001 | Right-Hand Plate Group | 1 |
| 68 † | 501700-137 | Screw (6-32) | 2 |
| †† | 510500-419 | Screw (6-32) | 2 |
| 69 | See Note ●●● | Totalizer Group | 1 |
| 70 | 324734-001 | Pointer | 1 |
| 71 | 510500-330 | Screw-Self Tapping | 1 |
| 72 | Deleted | | |
| 73 | Deleted | | |
| 74 | 324756-002 | Shaft-Knob | 1 |
| 75 | 324610-001 | Housing | 1 |
| 76 | 325171-001 | Name Plate | 1 |
| 77 | 510506-001 | Drive Screw | 4 |
| 78 | 76124-005 | Gasket | 1 |
| 79 | 70718-025 | Flange | 1 |
| 80 | Deleted | | |
| 81 | 510500-456 | Screw | 3 |
| 82 | 510003-006 | Lockwasher | 4 |
| 83 | 503344-032 | Screw-Seal | 2 |
| 84 | 370100-017 | Lockwasher (0.250) | 3 |
| 85 | 370100-016 | Screw (1/4-28 x 3/4) (THD Forming) | 3 |
| 86 | | Crystal | 1 |
| | 328822-001 | Gallons | |
| | 328822-009 | Dekalitres | |
| | 328822-010 | Barrels | |
| | 328822-011 | Litres | |
| | 328822-012 | Litres | |
| | 328822-013 | Dekalitres | |
| 87 | 11853-285 | Seal Wire (Service Only) | 1 |
| 88 | 44602-005 | Lead Seal (Service Only) | 1 |
| 89 | 403071-420 | Gear-Idler | 1 |
| 90 | 511800-106 | Ring-Retaining | 1 |
| 91 | 328065-001 | Label-Warning | 1 |
| 92 | 503300-111 | Screw | 2 |
| 93 | 885005-937 | Washer-Wave Spring | 1 |
| 94 | 885005-789 | Washer | As Req. |
| 95 | 885005-791 | Washer | As Req. |
| 96 | 324600-001 | Disc-Clutch | 1 |
| 96A | 320279-001 | Spring | 1 |
| 96B | 320255-001 | Disc | 1 |
| 96C | 324598-001 | Coupling | 1 |
| 96D | 324599-001 | Driver | 1 |
| 96E | 324663-001 | Shaft-Clutch | 1 |
| 96F | 310325-270 | Spring | 1 |
| 96G | 512921-001 | Pin-Spirol | 1 |
| 96H | 11071-905 | Washer (0.014) | 1 |
| 97 | 885005-791 | Washer | 2 |

Note: Items indented under a Group are part of that Group and will be included with the Group when ordered. Individual items may be ordered as individual parts.

* After installing retaining ring (Item 16), pull wheel group against retaining ring. Manually rotate the wheel. If it does not spin freely, replace Item 16 with Item 16a.

** Use Items 3, 4 and 5 as required to obtain end play of between 0.005 and 0.012 inch.

● Use Items 49 and 50 on left side and Items 3, 4 and 5 on right side as required for proper totalizer bevel gear engagement while maintaining 0.007 inch maximum shaft end play.

●● Use Items 3, 4 and 5 as required to adjust the clutch for proper operation with the input clutch while maintaining a maximum end play of 0.007 inch.

●●● When Serial No. of Register is 323829 or higher, order 324633-006 for totalizer with right hand wheel 0-9 black on white. Order 324633-007 for totalizer with all wheels 0-9 white on black. When Serial No. of register is 323828 or lower, order 312020-902 for totalizer with right hand wheel 0-9 black on white. Order 312020-903 for totalizer with all wheels 0-9 white on black.

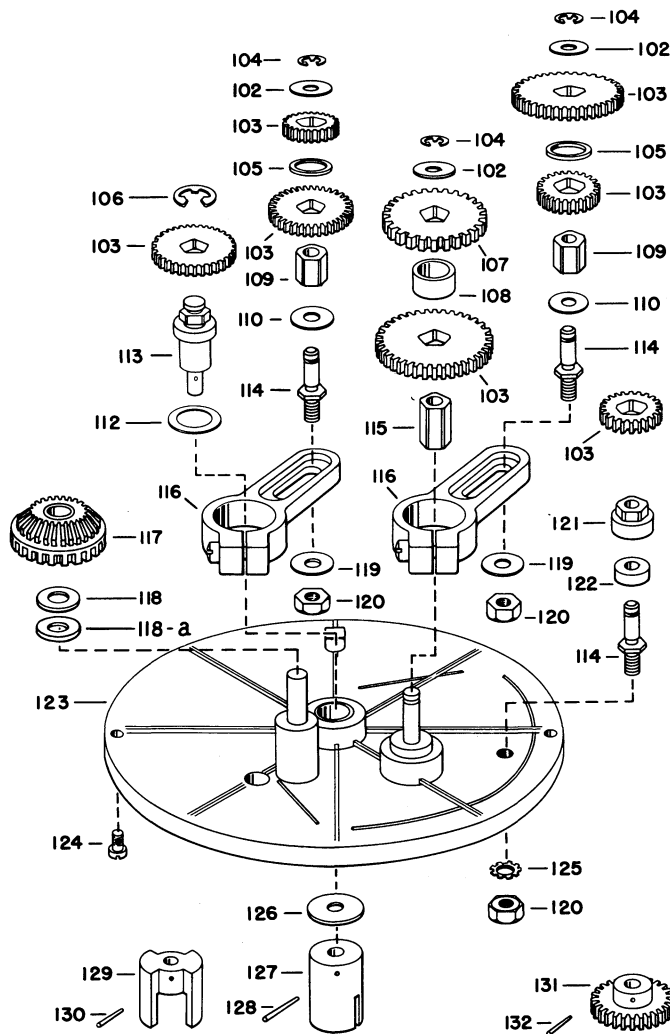
† For units with Serial Number below 538693.

†† For units with Serial Number 538693 and above.

*** For service orders for item No. 58 - REF Kit No. 370020-024

**GEAR PLATE ASSEMBLY
(TYPE 5)**

**GEAR LIST
(Item 103)**



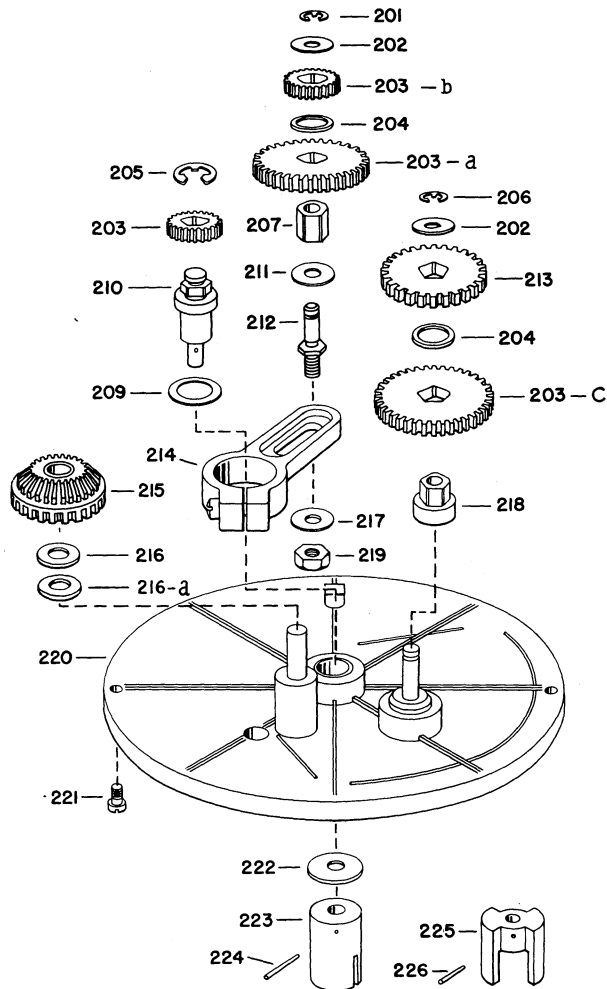
| PART NO. | NO. OF TEETH | PART NAME |
|------------|--------------|-----------|
| 77348-005 | 19 | *Gear |
| 32996-019 | 19 | **Gear |
| 311427-120 | 20 | *Gear |
| 311427-110 | 20 | **Gear |
| 311427-130 | 26 | **Gear |
| 32996-028 | 28 | Gear |
| 32996-029 | 29 | Gear |
| 32996-030 | 30 | Gear |
| 32996-031 | 31 | Gear |
| 32996-032 | 32 | Gear |
| 32996-033 | 33 | Gear |
| 32996-034 | 34 | Gear |
| 32996-035 | 35 | Gear |
| 32996-036 | 36 | Gear |
| 32996-037 | 37 | Gear |
| 32996-038 | 38 | Gear |
| 32996-039 | 39 | Gear |
| 32996-040 | 40 | Gear |
| 32996-041 | 41 | Gear |
| 32996-042 | 42 | Gear |
| 32996-043 | 43 | Gear |
| 32996-044 | 44 | Gear |
| 32996-045 | 45 | Gear |
| 32996-046 | 46 | Gear |
| 32996-047 | 47 | Gear |
| 32996-048 | 48 | Gear |
| 32996-049 | 49 | Gear |
| 32996-050 | 50 | Gear |
| 32996-051 | 51 | Gear |
| 32996-052 | 52 | Gear |
| 32996-053 | 53 | Gear |
| 32996-054 | 54 | Gear |
| 32996-055 | 55 | Gear |
| 32996-056 | 56 | Gear |
| 32996-057 | 57 | Gear |
| 32996-058 | 58 | Gear |
| 32996-059 | 59 | Gear |
| 32996-060 | 60 | Gear |
| 32996-061 | 61 | Gear |
| 32996-062 | 62 | Gear |
| 32996-063 | 63 | Gear |
| 32996-064 | 64 | Gear |
| 32996-065 | 65 | Gear |
| 32996-066 | 66 | Gear |
| 32996-067 | 67 | Gear |
| 32996-068 | 68 | Gear |
| 32996-069 | 69 | Gear |
| 32996-070 | 70 | Gear |
| 32996-071 | 72 | Gear |
| 32996-075 | 75 | Gear |
| 32996-076 | 76 | Gear |
| 32996-080 | 80 | Gear |
| 32996-084 | 84 | Gear |

*Round hub/round hole
**Pentagon hub/round hole

| ITEM NO. | PART NO. | PART NAME | QUANTITY PER UNIT |
|----------|----------------|--------------------|-------------------|
| 102 | 11071-135 | Washer (0.010) | 3 |
| 103 | See Gear List. | Change Gears | |
| 104 | 511807-001 | Retaining Ring | 3 |
| 105 | 11071-199 | Washer (0.047) | 2 |
| 106 | 511810-001 | Retaining Ring | 1 |
| 107 | 70827-005 | Gear (25T) | 1 |
| 108 | 14571-792 | Spacer | 1 |
| 109 | 33534-015 | Bushing | 2 |
| 110 | 11071-171 | Washer (0.020) | 2 |
| 112 | 11071-929 | Washer (0.010) | 1 |
| 113 | 70659-010 | Drive Shaft | 1 |
| 114 | 326586-001 | Stud | 3 |
| 115 | 33534-050 | Bushing | 1 |
| 116 | 33534-005 | Swing Arm Assembly | 2 |
| 117 | 70828-005 | Gear Assembly | 1 |
| 118 | 11071-479 | Washer (0.030) | 1 |

| ITEM NO. | PART NO. | PART NAME | QUANTITY PER UNIT |
|----------|------------|--------------------------------------|-------------------|
| 118a | 11071-333 | Washer (0.020) | As Req. |
| | 11071-325 | Washer (0.010) | As Req. |
| | 11071-803 | Washer (0.005) | As Req. |
| 119 | 11071-187 | Washer (0.031) | 2 |
| 120 | 511038-001 | Hex Nut (10-32) | 3 |
| 121 | 74843-005 | Bushing | 1 |
| 122 | 65009-005 | Spacer | 1 |
| 123 | 70856-010 | Gear Plate | 1 |
| 124 | 502230-001 | Flat Fil. Hd. Screw (8-32 x 1/4") | 2 |
| 125 | 510002-001 | Lockwasher | 1 |
| 126 | 11071-933 | Washer (0.010) | 1 |
| 127 | 65004-005 | Coupling | 1 |
| 128 | 510105-177 | Groove Pin (1/16" x 5/8") | 1 |
| 129 | 33775-005 | Coupling | |
| 130 | 510107-002 | Groove Pin (1/16" x 7/16") | |
| 131 | 32948-015 | 24T Gear | |
| | 65116-005 | 36T Gear | |
| 132 | 510109-001 | Groove Pin for 24T Gear | |
| | 510108-001 | Groove Pin for 36T Gear | |

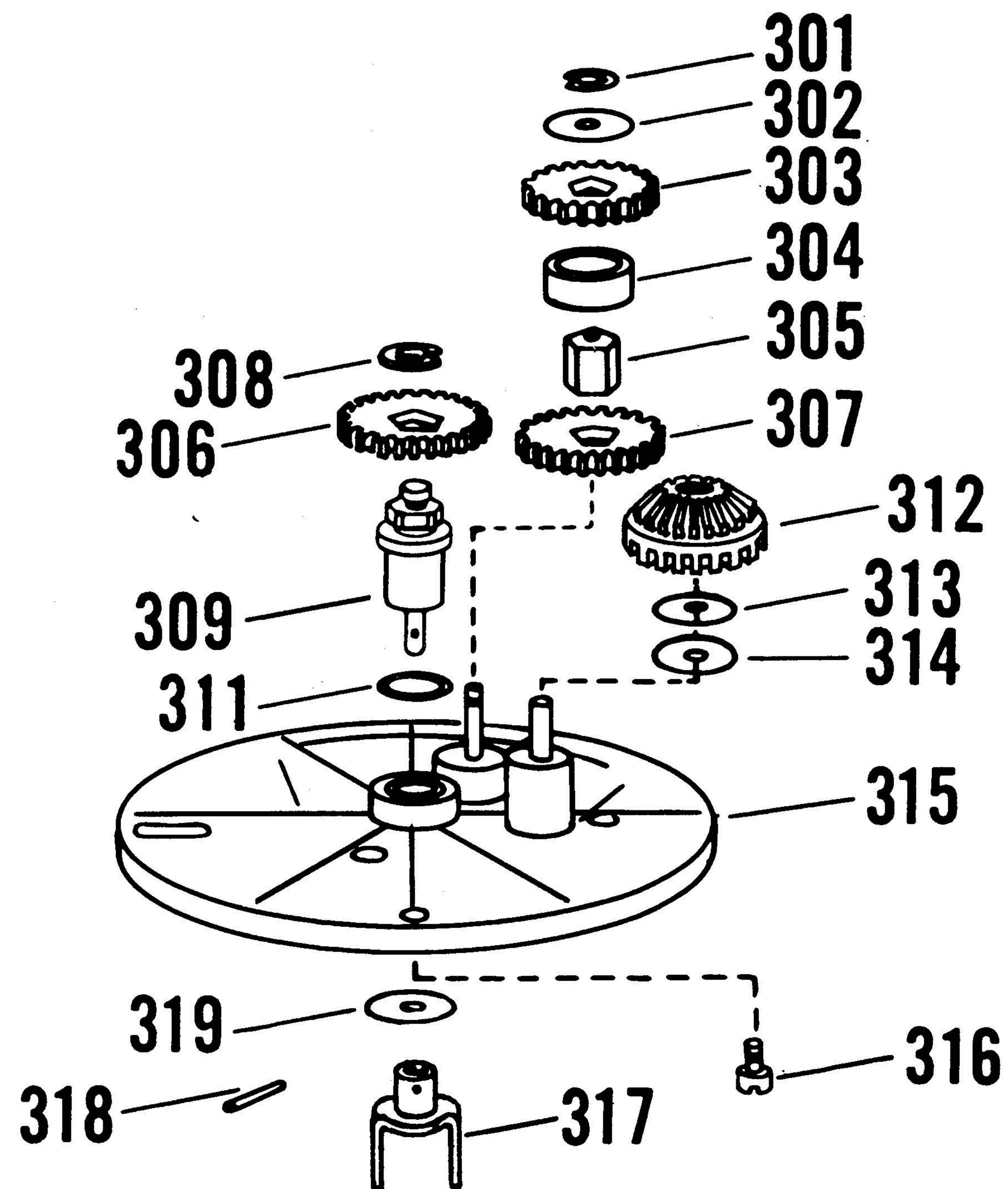
GEAR PLATE ASSEMBLY (TYPE 7)



| ITEM NO. | PART NO. | PART NAME | QUANTITY PER UNIT |
|----------|------------|--------------------------|-------------------|
| 201 | 511807-001 | Retaining Ring | 1 |
| 202 | 11071-135 | Washer (0.010) | 2 |
| 203 | 32996-033 | 33T Gear (For 4:1 ratio) | 1 |
| | 32996-028 | 28T Gear (For 8:1 ratio) | 1 |
| 203a | 32996-066 | 66T Gear (For 4:1 ratio) | 1 |
| | 32996-084 | 84T Gear (For 8:1 ratio) | 1 |
| 203b | 32996-033 | 33T Gear (For 4:1 ratio) | 1 |
| | 32996-030 | 30T Gear (For 8:1 ratio) | 1 |
| 203c | 32996-066 | 66T Gear (For 4:1 ratio) | 1 |
| | 32996-080 | 80T Gear (For 8:1 ratio) | 1 |
| 204 | 11071-199 | Washer (0.047) | 2 |
| 205 | 511810-001 | Retaining Ring | 1 |
| 206 | 511807-001 | Retaining Ring | 1 |
| 207 | 33534-015 | Bushing | 1 |
| 209 | 11071-929 | Washer (0.010) | 1 |
| 210 | 70659-010 | Drive Shaft | 1 |
| 211 | 11071-171 | Washer (0.020) | 1 |

| ITEM NO. | PART NO. | PART NAME | QUANTITY PER UNIT |
|----------|------------|-----------------------------------|-------------------|
| 212 | 326586-001 | Stud | 1 |
| 213 | 70827-005 | Gear (25T) | 1 |
| 214 | 33534-005 | Swing Arm Assembly | 1 |
| 215 | 70828-005 | Gear Assembly | 1 |
| 216 | 11071-479 | Washer (0.030) | 1 |
| 216a | 11071-333 | Washer (0.020) | As Req. |
| | 11071-325 | Washer (0.010) | As Req. |
| | 11071-803 | Washer (0.005) | As Req. |
| 217 | 11071-187 | Washer (0.031) | 1 |
| 218 | 76551-005 | Bushing | 1 |
| 219 | 511038-001 | Hex. Nut (10-32) | 1 |
| 220 | 70856-010 | Gear Plate | 1 |
| 221 | 502230-001 | Flat Fil. Hd. Screw (8-32 x 1/4") | 2 |
| 222 | 11071-933 | Washer (0.010) | 1 |
| 223 | 65004-005 | Coupling | 1 |
| 224 | 510105-177 | Groove Pin (1/16" x 5/8") | 1 |
| 225 | 33775-005 | Coupling | 1 |
| 226 | 510107-002 | Groove Pin | 1 |

**GEAR PLATE ASSEMBLY
(TYPE 1)**



| ITEM NO. | PART NO. | PART NAME | QUANTITY PER UNIT |
|----------|------------|--------------------------|-------------------|
| 301 | 511807-001 | Retaining Ring | 1 |
| 302 | 11071-135 | Washer (0.010) | 1 |
| 303 | 70827-005 | Gear (25T) | 1 |
| 304 | 14571-792 | Spacer | 1 |
| 305 | 33534-050 | Bushing | 1 |
| 306 | 73296-195 | 39T Gear (For 1:1 ratio) | 1 |
| | 73296-130 | 26T Gear (For 2:1 ratio) | 1 |
| 307 | 73296-195 | 39T Gear (For 1:1 ratio) | 1 |
| | 73296-260 | 52T Gear (For 2:1 ratio) | 1 |
| 308 | 511810-001 | Retaining Gear | 1 |
| 309 | 70659-010 | Drive Shaft | 1 |
| 311 | 11071-929 | Washer (0.010) | 1 |

| ITEM NO. | PART NO. | PART NAME | QUANTITY PER UNIT |
|----------|------------|--------------------------------------|-------------------|
| 312 | 70828-005 | Gear Assembly | 1 |
| 313 | 11071-479 | Washer (0.030) | 1 |
| 314 | 11071-333 | Washer (0.020) | As Req. |
| | 11071-325 | Washer (0.010) | As Req. |
| | 11071-803 | Washer (0.005) | As Req. |
| 315 | 70856-010 | Gear Plate | 1 |
| 316 | 502230-001 | Flat Fil. Hd. Screw (8-32 x 1/4") | 2 |
| 317 | 68845-005 | Coupling | 1 |
| 318 | 510107-002 | Groove Pin (1/16" x 7/16") | 1 |
| 319 | 11071-933 | Washer (0.010) | 1 |



2709 Route 764, Duncansville, PA 16635 Phone (814) 695-4476, or (800) 873-3313, Fax (814) 695-7605, or (800) 234-5350

www.veeder.com